

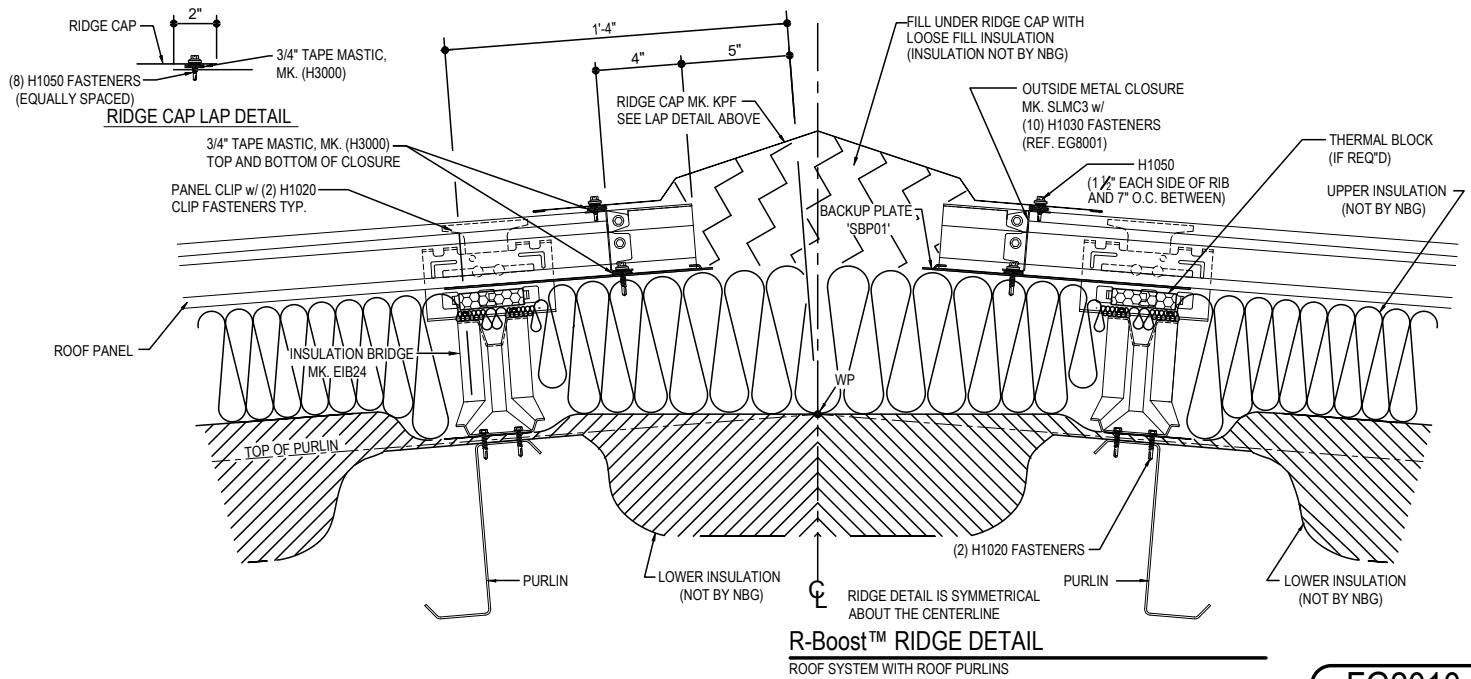
**RIDGE**

FG2010-KBS - RIDGE DETAIL WITH PURLINS

FG2015-KBS - RIDGE DETAIL WITH JOIST

FG2010 - RIDGE DETAIL WITH PURLINS

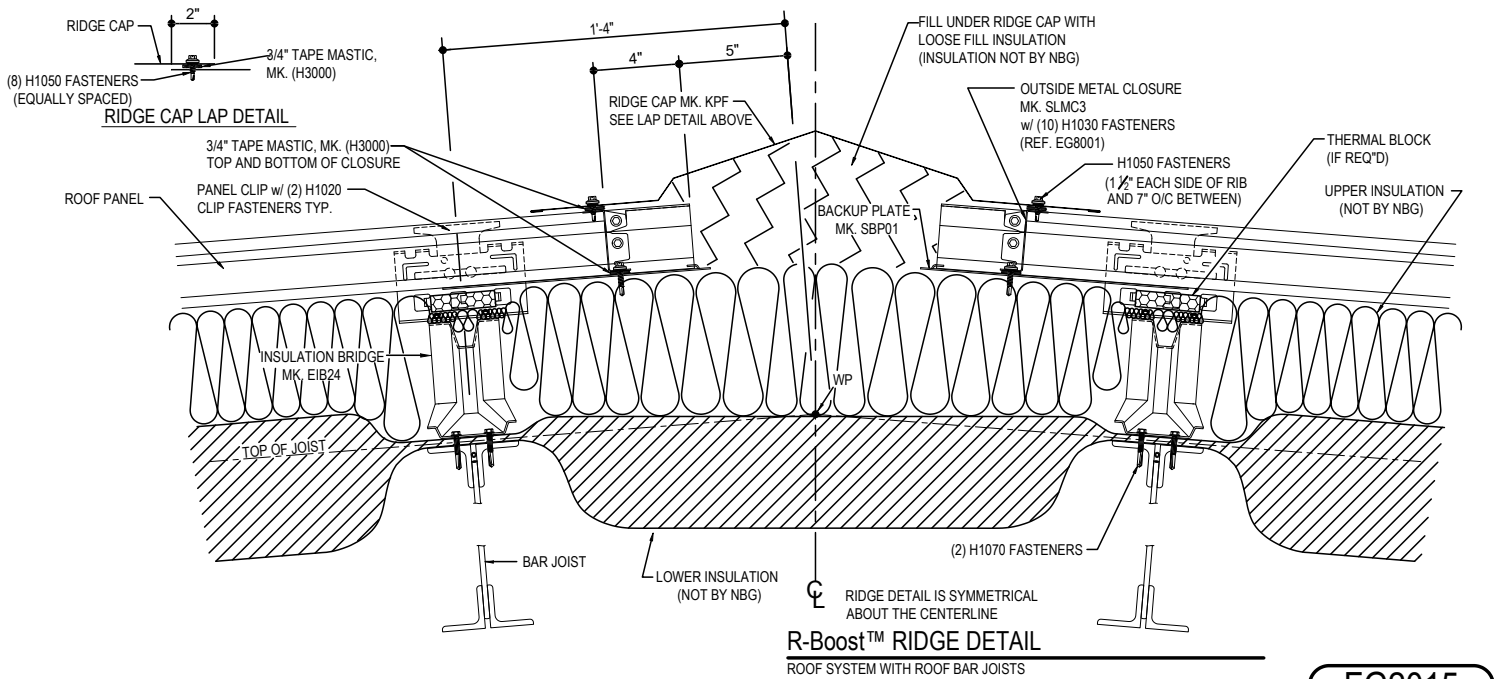
[Download the DWG file by clicking here.](#)



FG2010

FG2015 - RIDGE DETAIL WITH JOIST

[Download the DWG file by clicking here.](#)



FG2015