

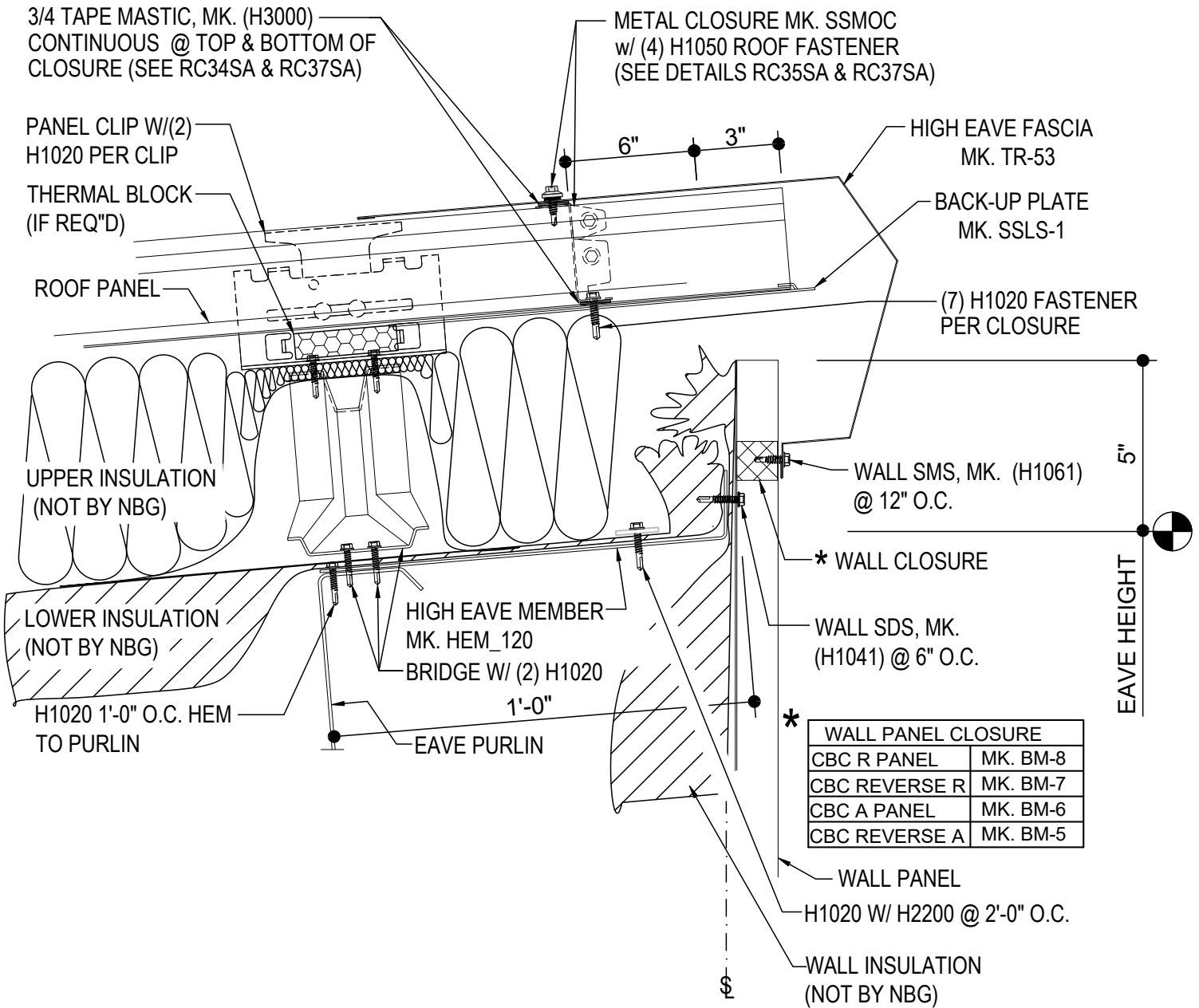
HIGH EAVE

FH2010-CBC - HIGH EAVE DETAIL WALL PANELS

FH2612-CBC - HIGH EAVE DETAIL W INSULATED WALL PANELS

FH2010 - HIGH EAVE DETAIL WALL PANELS

[Download the DWG file by clicking here.](#)



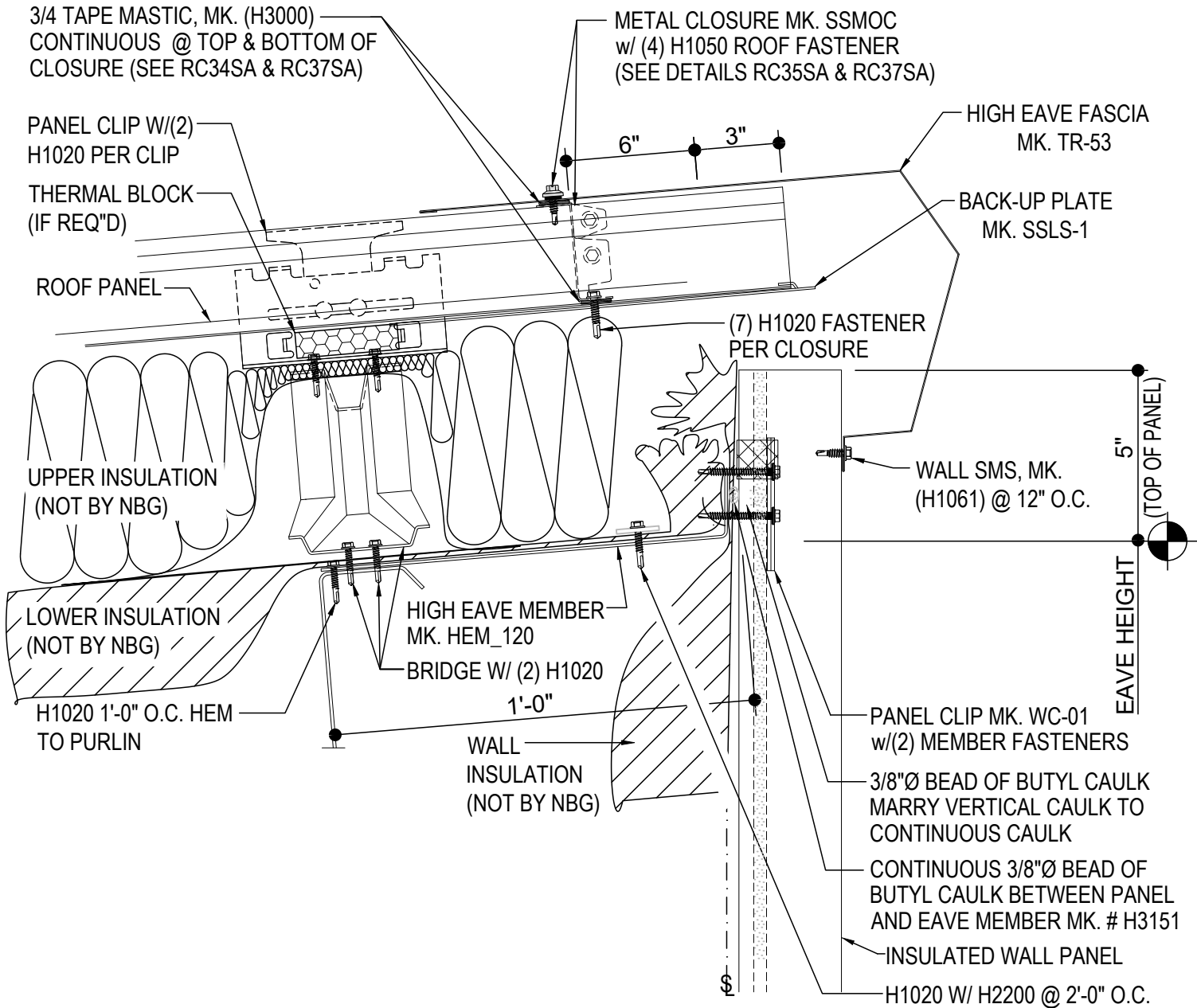
R-Boost™ HIGH EAVE DETAIL

HIGH EAVE DETAIL w/ WALL PANELS

FH2010

FH2612 - HIGH EAVE DETAIL W/ INSULATED WALL PANELS

[Download the DWG file by clicking here.](#)



R-Boost™ HIGH EAVE DETAIL

HIGH EAVE DETAIL w/ INSULATED WALL PANELS

FH2612