

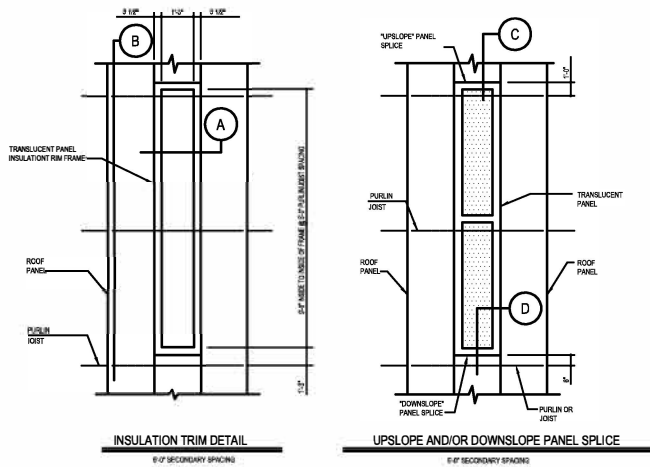
FM6020 - COMPOSITE SS360/SSII ROOF

[Download the DWG file by clicking here.](#)

COMPOSITE SS360/SS II TRANSLUCENT ROOF PANEL INSTALLATION INSTRUCTIONS

ERECTOR NOTE: THE DETAILS SHOWN ON THIS PAGE REFLECT LEFT-TO-RIGHT PANEL ERECTION SEQUENCE. IF THE PANELS ARE BEING INSTALLED FROM RIGHT-TO-LEFT, THE DETAILS ARE OPPOSITE HAND OF WHAT IS SHOWN.

TRANSLUCENT PANEL LAYOUT - PLAN VIEWS

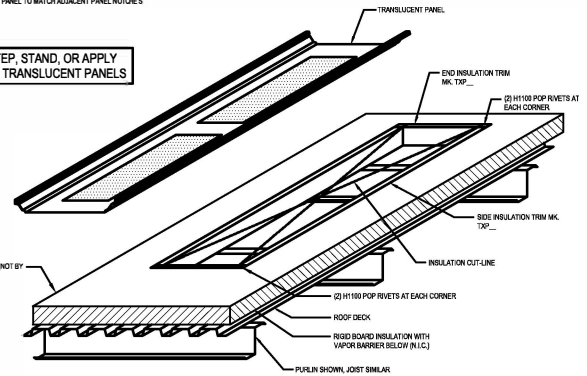


LEFT-TO-RIGHT
ERECTION SEQUENCE SHOWN

ERECTION NOTES:

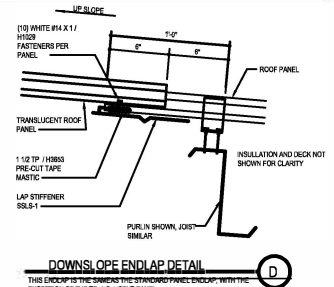
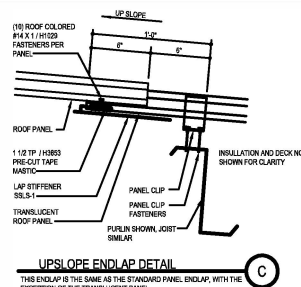
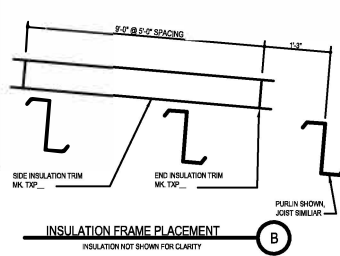
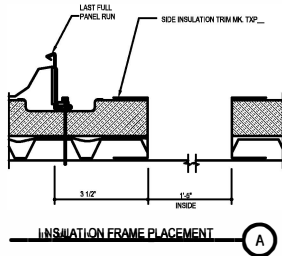
- 1) INSTALL PANELS UP TO TRANSLUCENT PANEL LOCATION.
- 2) LAYOUT TRANSLUCENT PANEL OPENING ON THE INSULATION WITH THE DIMENSIONS GIVEN BELOW.
- 3) CUT OUT RIGID BOARD INSULATION AND THE ROOF DECK.
- 4) ASSEMBLE TRIM AROUND THE PERIMETER OF OPENING, FASTEN TO THE UNDER SIDE OF THE DECK WITH TRIM COLORED #10 X 1/2" SCREWS @ 1'-0" O.C.
- 5) FIELD COSE TRIM AT CORNERS AS REQUIRED.
- 6) INSTALL TRANSLUCENT PANEL.
- 7) INSTALL END LAP AS NOTED.
- 8) WHEN TRANSLUCENT PANELS ARE USED AT THE ROOGE OR HIGH PROJEKT, FIELD NOTCH TOP OF PANEL TO MATCH ADJACENT PANEL NOTCHES.

NEVER STEP, STAND, OR APPLY WEIGHT TO TRANSLUCENT PANELS



GENERAL NOTES:

- 1) END TO END TRANSLUCENT PANELS SHOULD BE SPACED SO THAT THE METAL PANELS ABOVE, BETWEEN AND BELOW ARE RESTING ON A MINIMUM OF (2) PURLINS, PREFERABLY (4). NO SIMPLE-SPAN ROOF PANEL CONDITIONS ARE ALLOWED.
- 2) A MINIMUM OF (4) METAL PANELS IS REQUIRED BETWEEN SIDES OF MULTIPLE TRANSLUCENT PANEL LOCATIONS. TRANSLUCENT PANELS SHALL NOT BE PLACED SIDE BY SIDE.
- 3) TRANSLUCENT PANELS SHALL NOT BE REPLACED FROM EAVE TO EAVE.
- 4) TRANSLUCENT PANELS SHALL NOT BE PLACED AT THELOW EAVE OF THE BUILDING.
- 5) THE LOCATION OF THE FIRST TRANSLUCENT PANEL UP FROM THELOW EAVE SHOULD BE SET SO THAT THELOW EAVE METAL PANEL IS SUPPORTED BY (4) PURLINS (OR APPROXIMATELY 15 FEET).



Detailer Notes:

- 1) DETAIL IS USED FOR ALL COMPOSITE SS360/SSII JOBS.