

Portal Frame Flange Brace Details

AJ0050 - TYP FLANGE BRACE AT BU COL & PORTAL COL

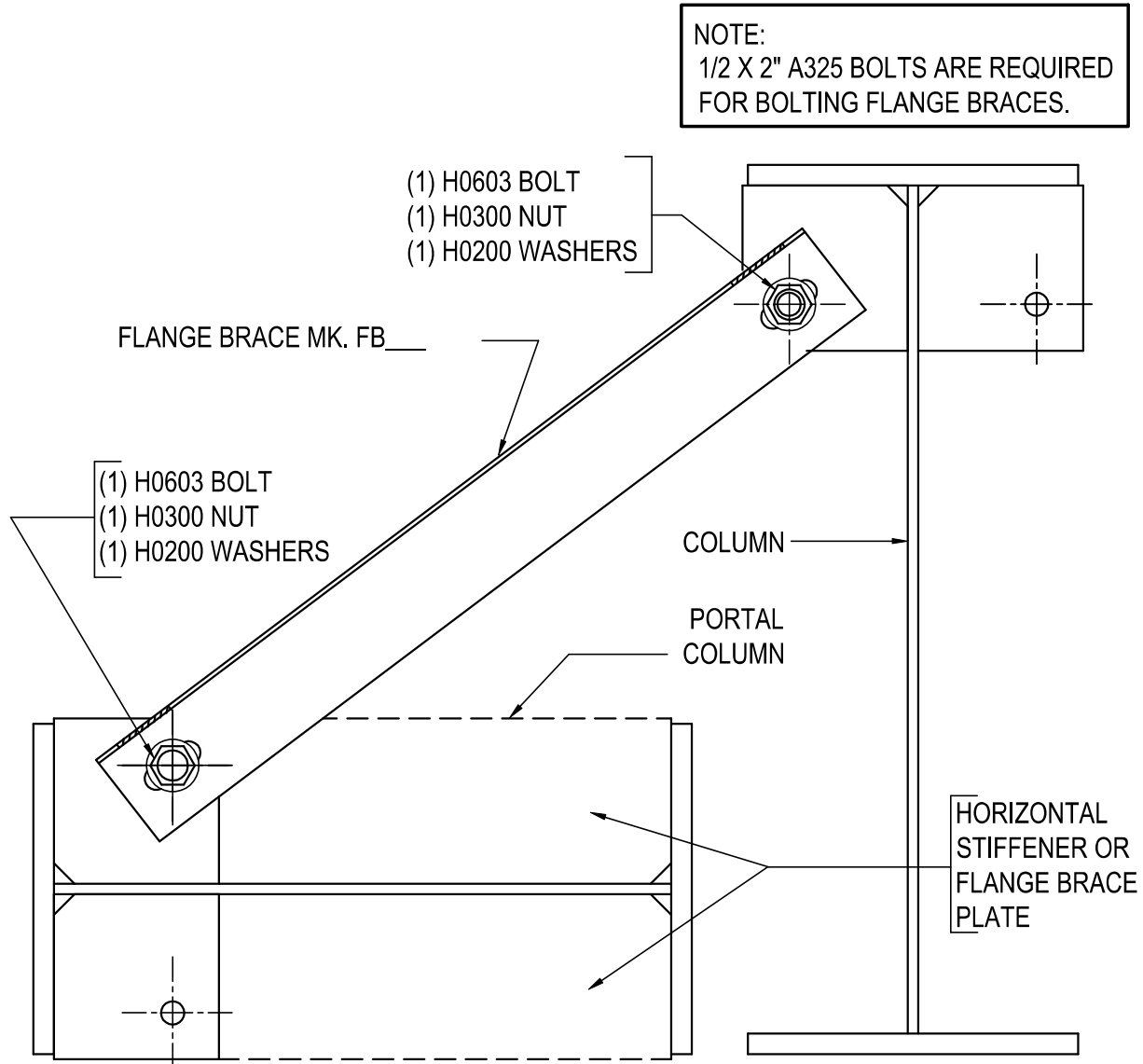
AJ0051 - TYP FLANGE BRACE AT BU COL & NESTED PORTAL COL

AJ0055 - ALT FLANGE BRACE AT BU COL & PORTAL COL

AJ0056 - ALT FLANGE BRACE AT BU COL & NESTED PORTAL COL

AJ0050 - FLANGE BRACE AT COLUMN & PORTAL COLUMN

[Download the DWG file by clicking here.](#)



FLANGE BRACE AT COLUMN & PORTAL COLUMN

AJ0050

SEE PLANS AND ELEVATIONS FOR FLANGE BRACE PART MARKS

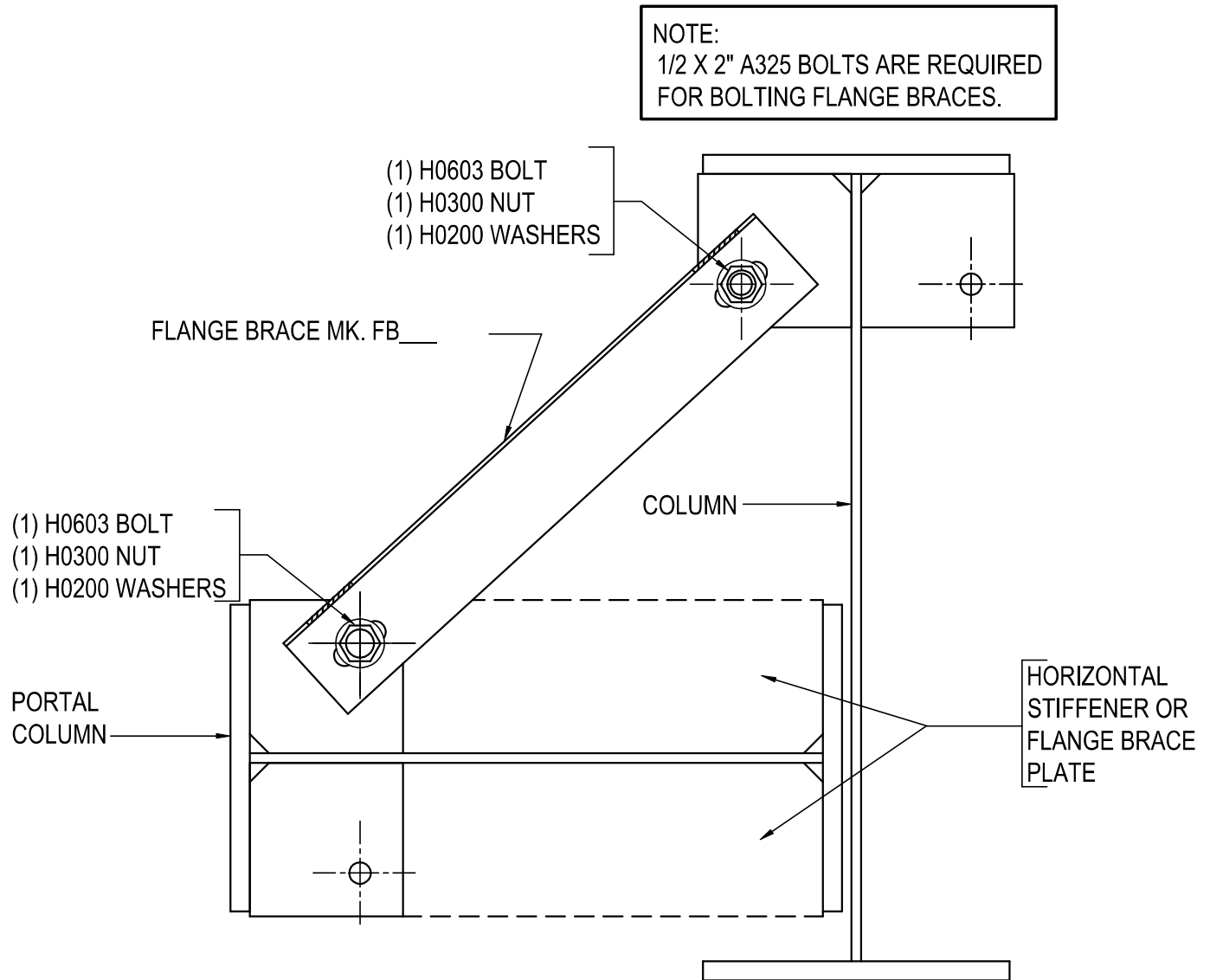
AJ0050

Detailer Notes:

- 1) DO NOT CONNECT THE FLANGE BRACE TO THE COLUMN CAP PLATE.

AJ0051 - FLANGE BRACE AT COLUMN & NESTED PORTAL COLUMN

[Download the DWG file by clicking here.](#)



FLANGE BRACE AT COLUMN & NESTED PORTAL COLUMN

SEE PLANS AND ELEVATIONS FOR FLANGE BRACE PART MARKS

AJ0051

AJ0051

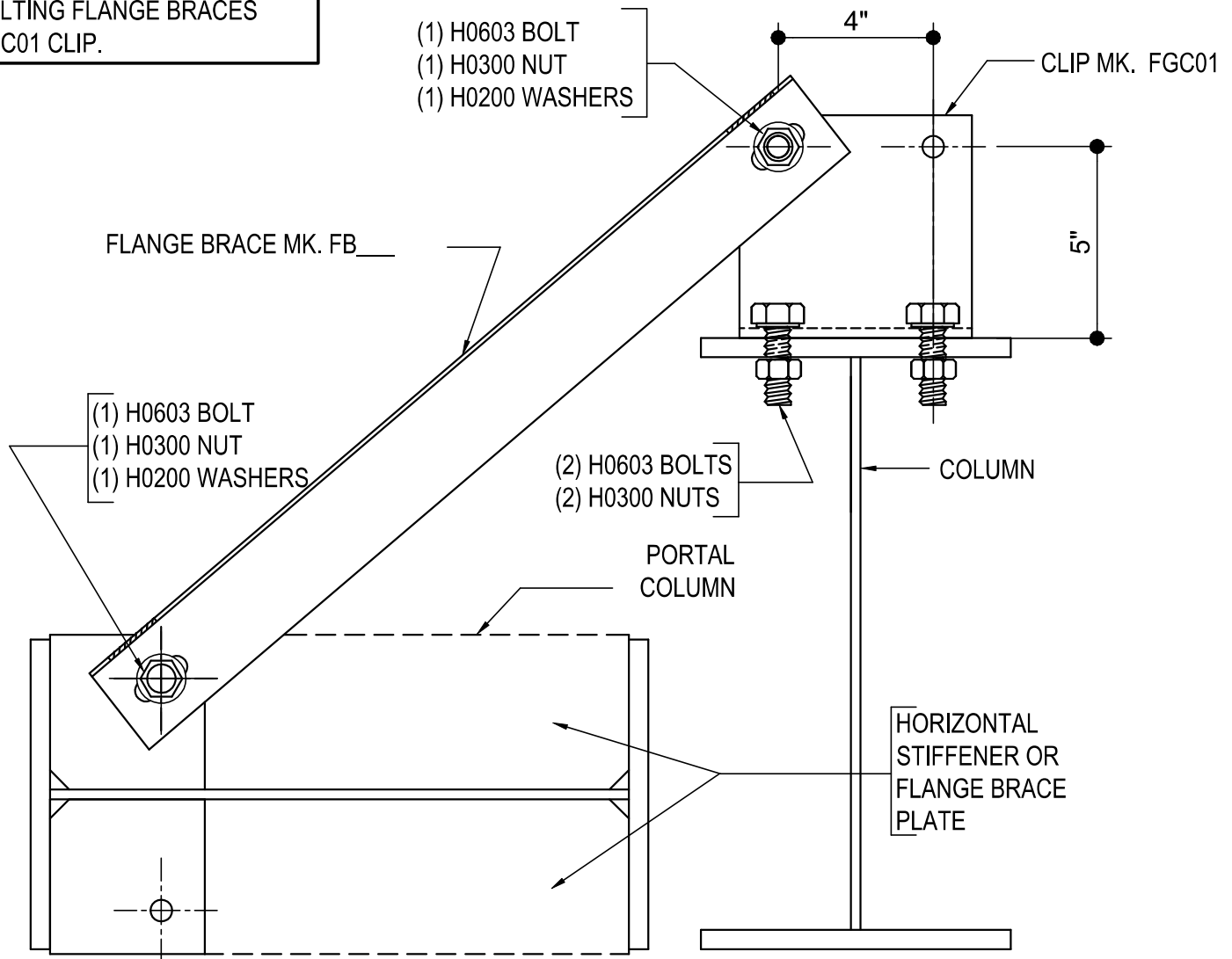
Detailer Notes:

- 1) DO NOT CONNECT THE FLANGE BRACE TO THE COLUMN CAP PLATE.

AJ0055 - ALT FLANGE BRACE AT COLUMN & PORTAL COLUMN

[Download the DWG file by clicking here.](#)

NOTE:
1/2 X 2" A325 BOLTS ARE REQUIRED
FOR BOLTING FLANGE BRACES
AND FGC01 CLIP.



ALT FLANGE BRACE AT COLUMN & PORTAL COLUMN

SEE PLANS AND ELEVATIONS FOR FLANGE BRACE PART MARKS

AJ0055

AJ0055

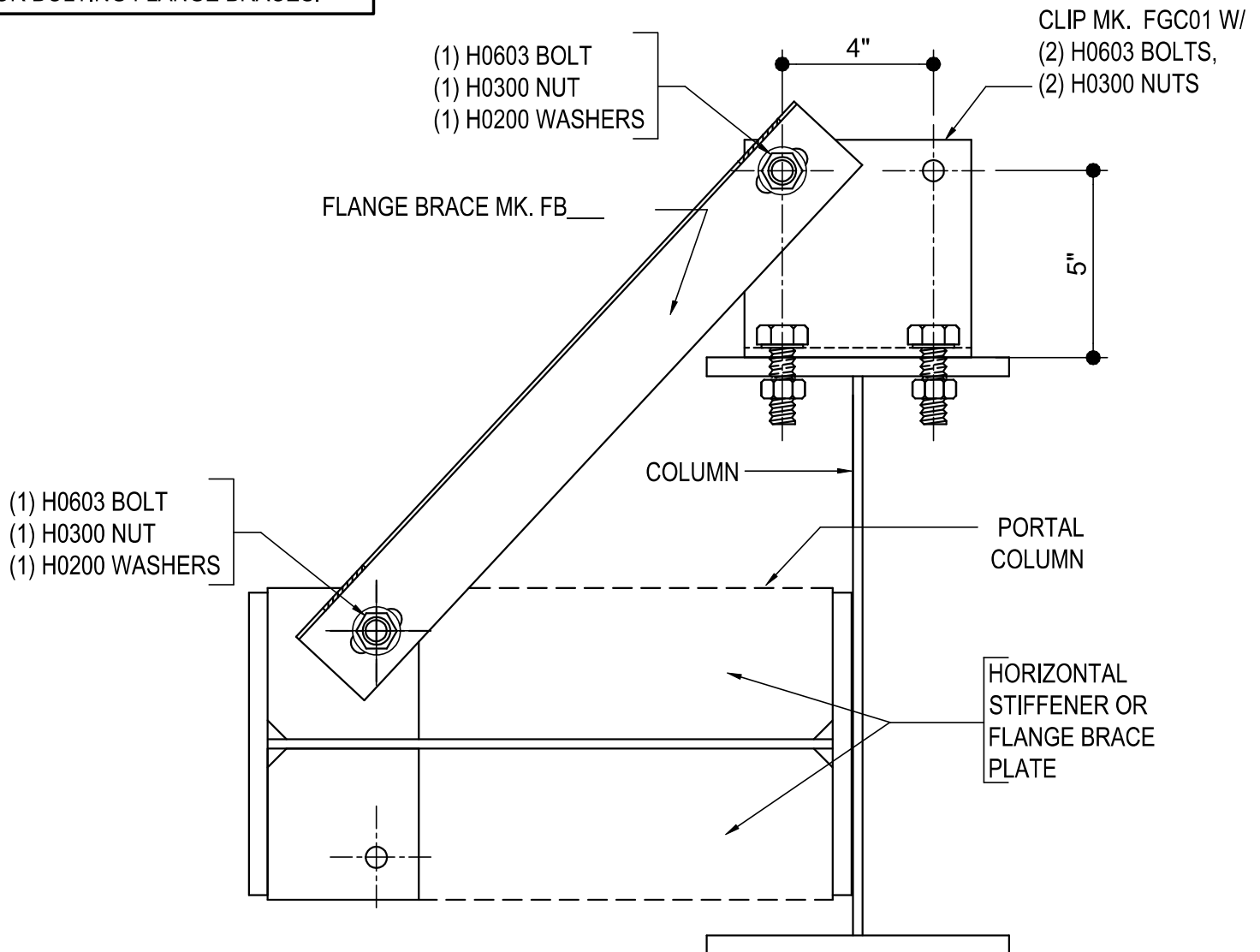
Detailer Notes:

- 1) DO NOT CONNECT THE FLANGE BRACE TO THE COLUMN CAP PLATE.

AJ0056 - ALT FLANGE BRACE AT COLUMN & NESTED PORTAL COLUMN

[Download the DWG file by clicking here.](#)

NOTE:
1/2 X 2" A325 BOLTS ARE REQUIRED FOR BOLTING FLANGE BRACES.



ALT FLANGE BRACE AT COLUMN & NESTED PORTAL COLUMN

SEE PLANS AND ELEVATIONS FOR FLANGE BRACE PART MARKS

AJ0056

AJ0056

Detailer Notes:

- 1) DO NOT CONNECT THE FLANGE BRACE TO THE COLUMN CAP PLATE.