

**LOW EAVE (GUTTER)**

DD0010 - GUTTER - WALL PANEL

DD0030 - GUTTER- MASONRY WALL

DD0050 - GUTTER with NO WALL

DD0310 - HORIZONTAL GUTTER - WALL PANEL

DD0400 - HORIZONTAL GUTTER with MASONRY WALL

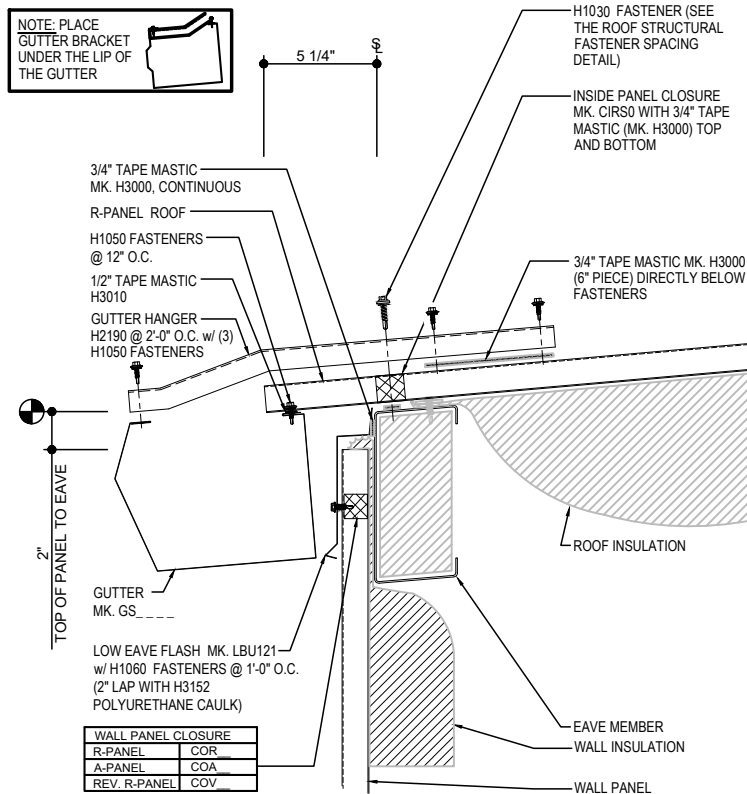
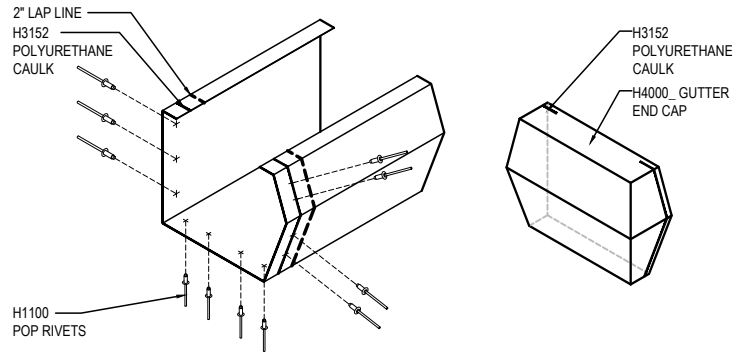
---

DD0010 - GUTTER w/ WALL PANEL

[Download the DWG file by clicking here.](#)

**GUTTER LAP & END CAP**

APPLY BEAD OF POLYURETHANE CAULK 1" FROM END OF TRIM AND LAP SECTIONS 2" AND FASTEN AS SHOWN. TO TERMINATE THE GUTTER APPLY POLYURETHANE CAULK TO THREE SIDES OF END CAP AND TOP RETURN AREA AS SHOWN AND INSERT INTO THE GUTTER LEAVING 1/2" EXPOSED. ATTACH WITH RIVETS SAME AS END LAP.



**EAVE GUTTER DETAIL**

EAVE GUTTER DETAIL w/ WALL PANELS  
SEE WALL SHEETING ERECTION NOTES FOR WALL PANEL FASTENER LOCATIONS

**DD0010**

**Detailer Notes:**

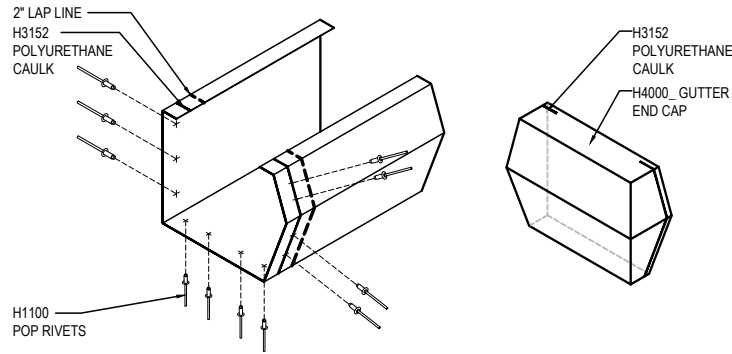
- 1) CLOSURES LOW EAVE LAYER DEFAULT IS ON. LAYER MUST BE TURNED OFF IF CLOSURES ARE NOT REQUIRED.

DD0030 - GUTTER w/ MASONRY WALL

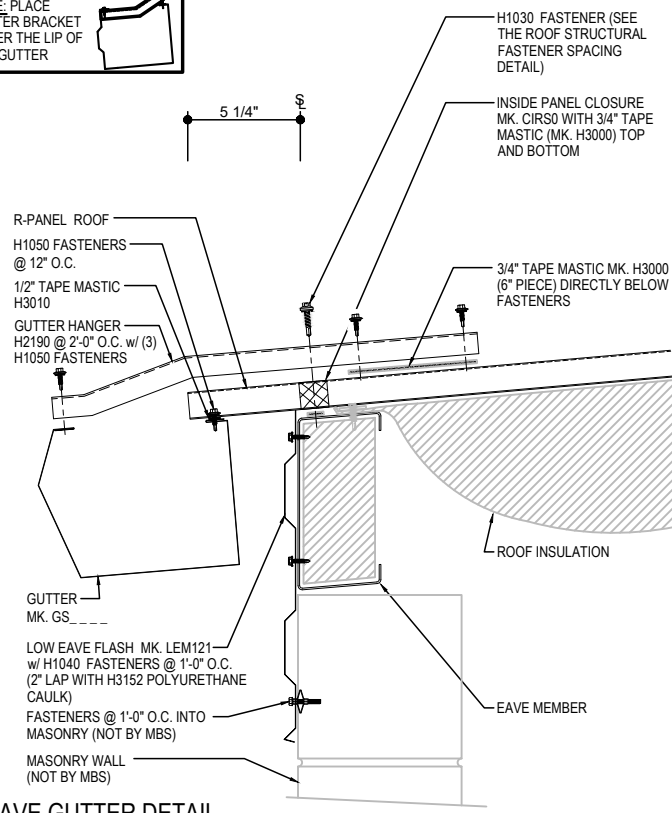
[Download the DWG file by clicking here.](#)

**GUTTER LAP & END CAP**

APPLY BEAD OF POLYURETHANE CAULK 1" FROM END OF TRIM AND LAP SECTIONS 2" AND FASTEN AS SHOWN. TO TERMINATE THE GUTTER APPLY POLYURETHANE CAULK TO THREE SIDES OF END CAP AND TOP RETURN AREA AS SHOWN AND INSERT INTO THE GUTTER LEAVING 1/2" EXPOSED. ATTACH WITH RIVETS SAME AS END LAP.



NOTE: PLACE GUTTER BRACKET UNDER THE LIP OF THE GUTTER



**EAVE GUTTER DETAIL**

R-Panel ROOF AT MASONRY WALL

DD0030

**Detailer Notes:**

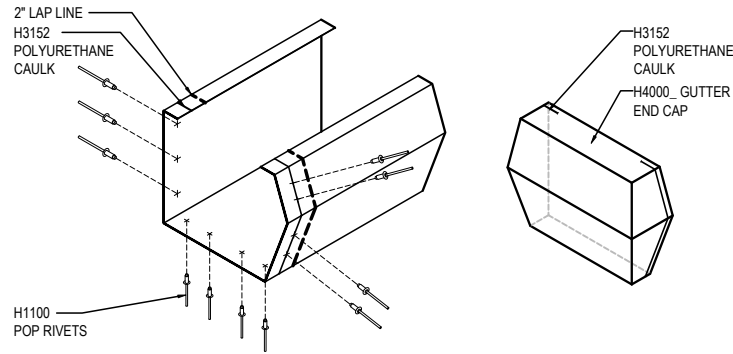
- 1) CLOSURES LOW EAVE LAYER DEFAULT IS ON. LAYER MUST BE TURNED OFF IF CLOSURES ARE NOT REQUIRED.

DD0050 - GUTTER w/ NO WALL

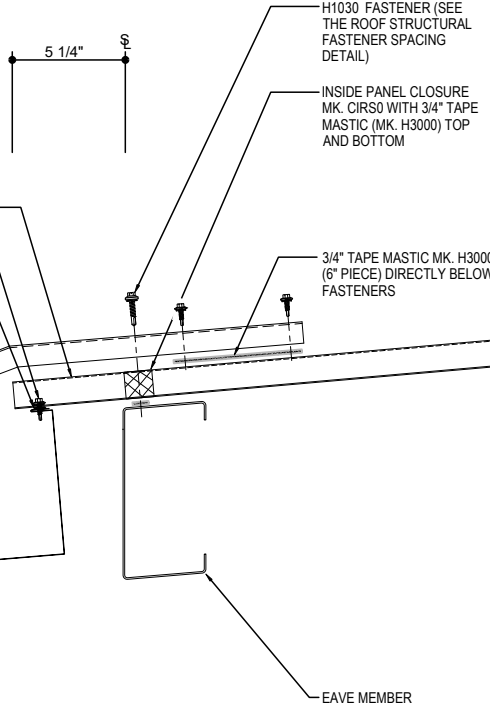
[Download the DWG file by clicking here.](#)

**GUTTER LAP & END CAP**

APPLY BEAD OF POLYURETHANE CAULK 1" FROM END OF TRIM AND LAP SECTIONS 2" AND FASTEN AS SHOWN. TO TERMINATE THE GUTTER APPLY POLYURETHANE CAULK TO THREE SIDES OF END CAP AND TOP RETURN AREA AS SHOWN AND INSERT INTO THE GUTTER LEAVING 1/2" EXPOSED. ATTACH WITH RIVETS SAME AS END LAP.



NOTE: PLACE GUTTER BRACKET UNDER THE LIP OF THE GUTTER



**EAVE GUTTER DETAIL**

R-PANEL ROOF WITHOUT WALL PANEL

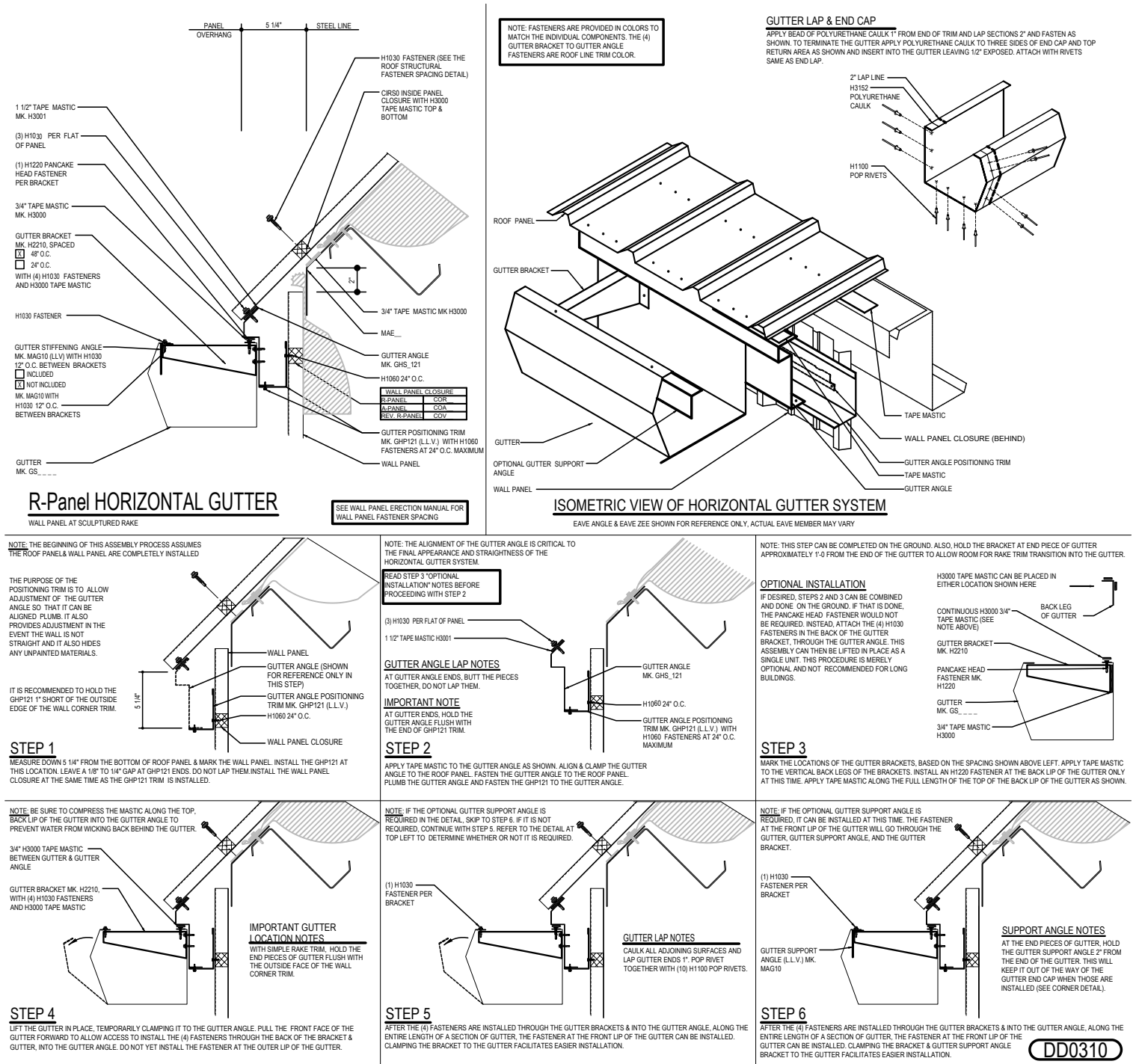
DD0050

Detailer Notes:

- 1) N/A

**DD0310 - HORIZONTAL GUTTER w/ WALL PANEL**

Download the DWG file by clicking here.

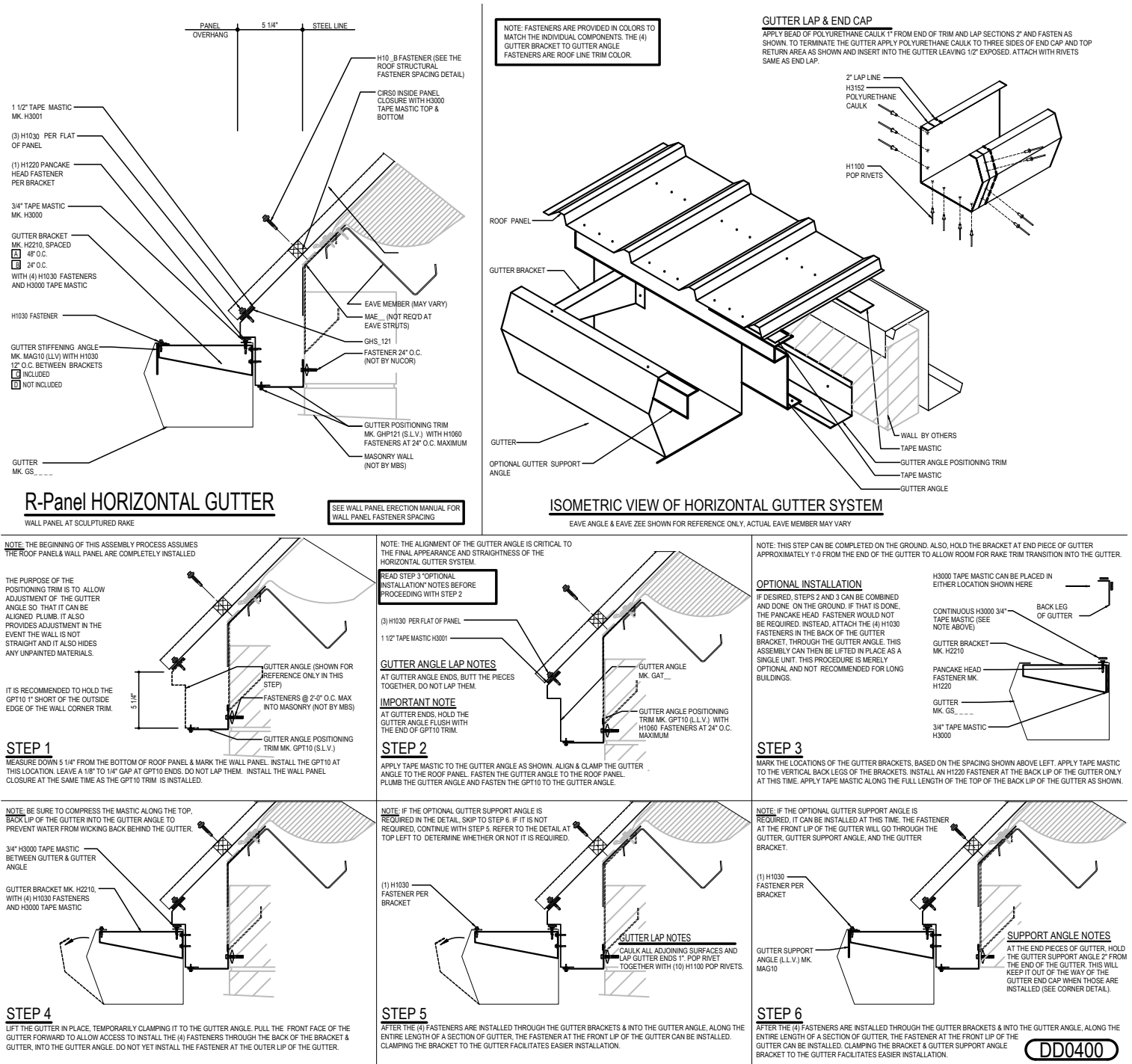


**Detailer Notes:**

- 1) CLOSURES LOW EAVE LAYER DEFAULT IS ON. LAYER MUST BE TURNED OFF IF CLOSURES ARE NOT REQUIRED.

**DD0400 - HORIZONTAL GUTTER w/ MASONRY WALL**

Download the DWG file by clicking here.



**Detailer Notes:**

- 1) CLOSURES LOW EAVE LAYER DEFAULT IS ON. LAYER MUST BE TURNED OFF IF CLOSURES ARE NOT REQUIRED.
- 2) THIS STANDARD DETAIL IS APPROVED FOR MIAMI-DADE USE. ALTERATIONS TO THIS DETAIL MAY IMPACT APPROVAL.

