

HIGH EAVE (SCULPTURED)

DH7240 - SCULPTURED HIGH EAVE INSTALLATION

DH7240 KBS - SCULPTURED HIGH EAVE INSTALLATION

[Download the DWG file by clicking here.](#)

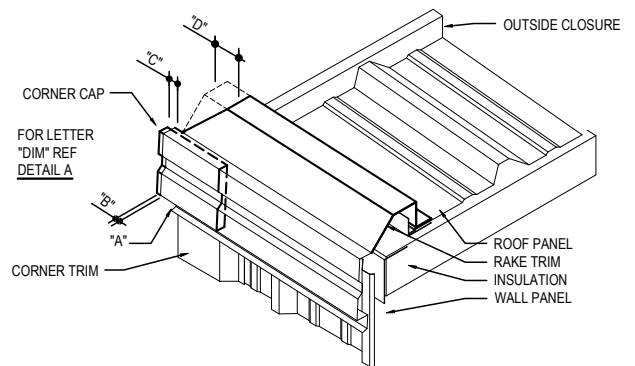
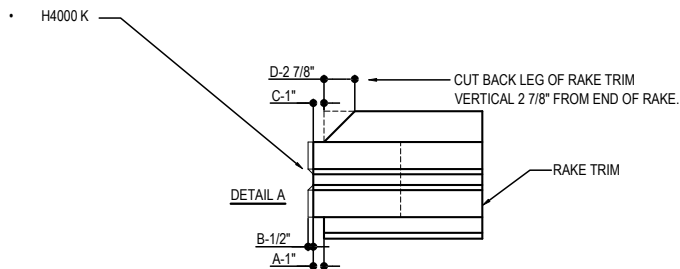
SCULPTURED HIGH EAVE TO RAKE TRANSITION

**RAKE TRIM PREPARATION FOR SCULPTURED HIGH EAVE TRIM INSTALLATION
STEP 1**

EXTEND THE RAKE TRIM 1" PAST THE OUTSIDE FACE OF THE WALL CORNER TRIM. FIELD COPE THE VERTICAL LEG OF THE RAKE TRIM FLUSH TO THE OUTSIDE FACE OF THE WALL CORNER TRIM.

FIELD COPE THE UPPER SECTION OF THE RAKE TRIM BACK 1" AS SHOWN. ADDITIONALLY, COPE THE "SLOPED" FACE OF THE RAKE TRIM BACK 2 7/8" AT AN ANGLE TO MATCH 2 7/8" COPE TOP AND BACK LEG BEFORE INSTALLING THE HIGH EAVE TRIM, APPLY POLYURETHANE TUBE CAULK (H3152) AROUND THE PERIMETER OF THE CORNER CAP (H4000 K). SLIDE THE CAP INTO THE END OF THE STANDARD RAKE TRIM, LEAVING 1/2" EXPOSED AS SHOWN BELOW.

CORNER CAP PART NUMBER'S



**SCULPTURED HIGH EAVE TRIM INSTALLATION
STEP 2**

FIELD CUT AN OUTSIDE CLOSURE LONG ENOUGH TO REACH BACK OF RAKE TRIM. APPLY 3/4" TAPE MASTIC (H3000) CONTINUOUSLY ACROSS THE TOP AND BOTTOM OF THE CLOSURES.

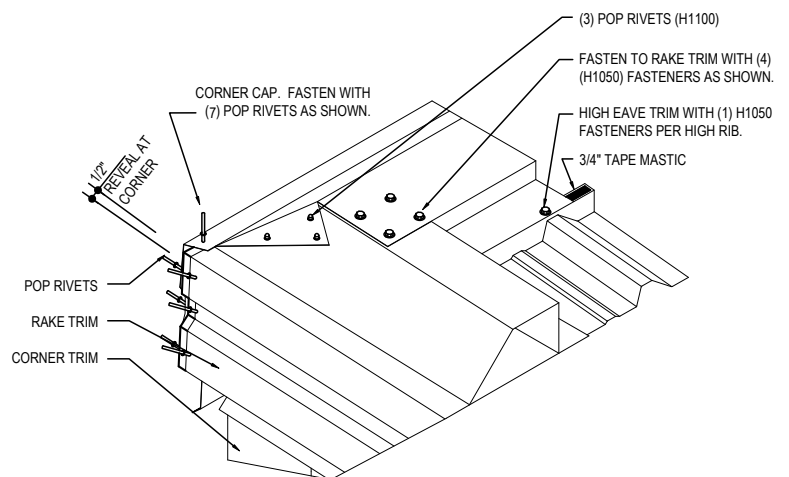
LAY THE HIGH EAVE TRIM OVER THE OUTSIDE CLOSURE AND FASTEN WITH (4) TRIM-COLORED SELF-DRILLING SCREWS (H1050). **NOTE: THE HIGH EAVE TRIM MUST BE PROPERLY POSITIONED BEFORE TOUCHING THE MASTIC. REMOVE THE PAPER BACKING ONLY AS WORK PROGRESSES.**

FIELD COPE THE HIGH EAVE TRIM SIMILAR TO THE RAKE TRIM EXCEPT DO NOT CUT THE SLOPED FACE. INSTEAD, FOLD THE SLOPED FACE OVER THE SLOPED FACE OF THE RAKE TRIM. CAULK ALL AROUND WITH POLYURETHANE TUBE CAULK (H3152) AND FASTEN WITH (3) POP RIVETS (H1100).

FASTEN THE HIGH EAVE TRIM AND THE RAKE TRIM TO THE CORNER CAP WITH (7) POP RIVETS (H1100). FASTEN THE TOP LEG OF THE HIGH EAVE TRIM WITH (4) TRIM-COLORED SELF DRILLING SCREWS H1050.

SCULPTURED HIGH EAVE TRIM PART NUMBER'S

- HRS0K121 x 10'-1"
- HRS0K242 x 20'-2"



SCULPTURED HIGH EAVE AND RAKE INSTALLATION

DETAIL SHOWN WITH ROOF AND WALL PANEL.

DH7240

Detailer Notes:

- 1) N/A