

EAVE & RAKE EXTENSIONS

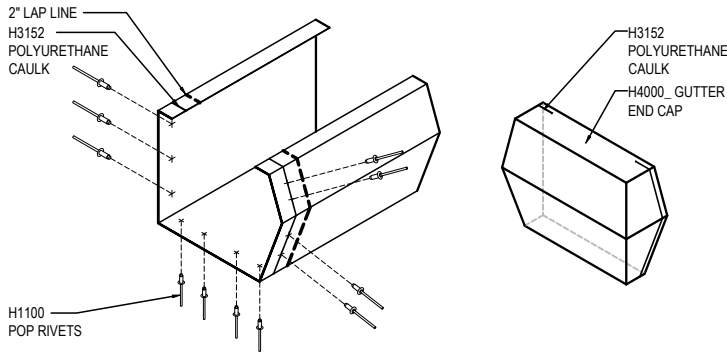
- DO0005 - SOFFIT PANEL ERECTION DETAIL
 - DO0010 - LOW EAVE EXTENSION
 - DO0214 - EAVE EXTENSION TERMINATION - INSET-FLUSH
 - DO0215 - EAVE EXTENSION TERMINATION - BYPASS
 - DO0310 - RAKE EXTENSION
 - DO0312 - RAKE EXTENSION TERMINATION - LOW EAVE
 - DO0314 - RAKE EXTENSION TERMINATION - HIGH EAVE
 - DO0410 - HIGH EAVE EXTENSION
 - DO0610 - SOFFIT PANEL ENDLAP
 - DO0615 - SOFFIT PANEL - RIDGE UP TO 1-12
 - DO0616 - SOFFIT PANEL - RIDGE GREATER THAN 1-12
-

DO0010 - LOW EAVE EXTENSION

[Download the DWG file by clicking here.](#)

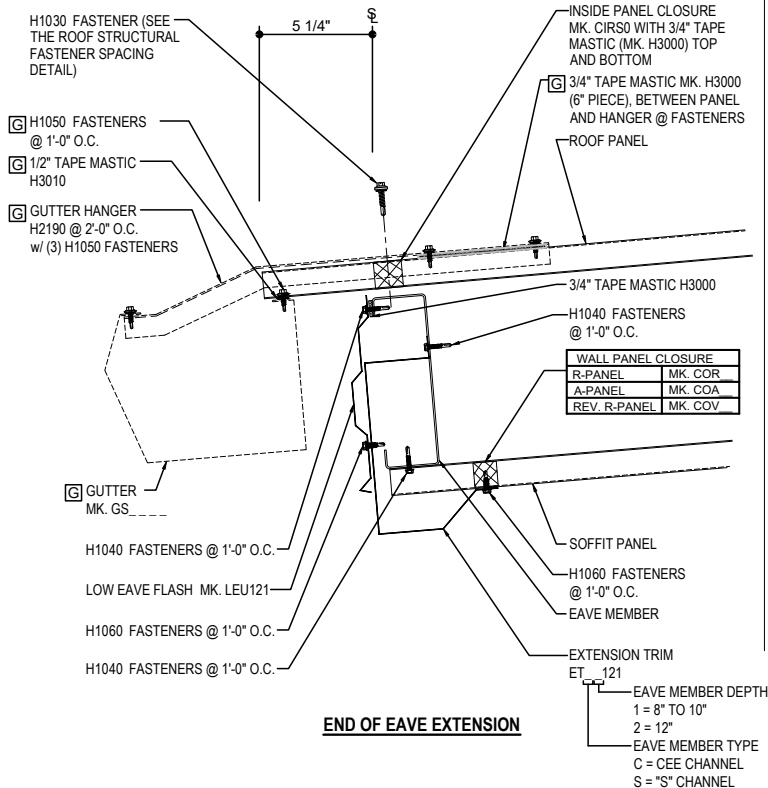
GUTTER LAP & END CAP

APPLY BEAD OF POLYURETHANE CAULK 1" FROM END OF TRIM AND LAP SECTIONS 2" AND FASTEN AS SHOWN. TO TERMINATE THE GUTTER APPLY POLYURETHANE CAULK TO THREE SIDES OF END CAP AND TOP RETURN AREA AS SHOWN AND INSERT 1/2" INTO END OF GUTTER. ATTACH WITH RIVETS SAME AS END LAP.



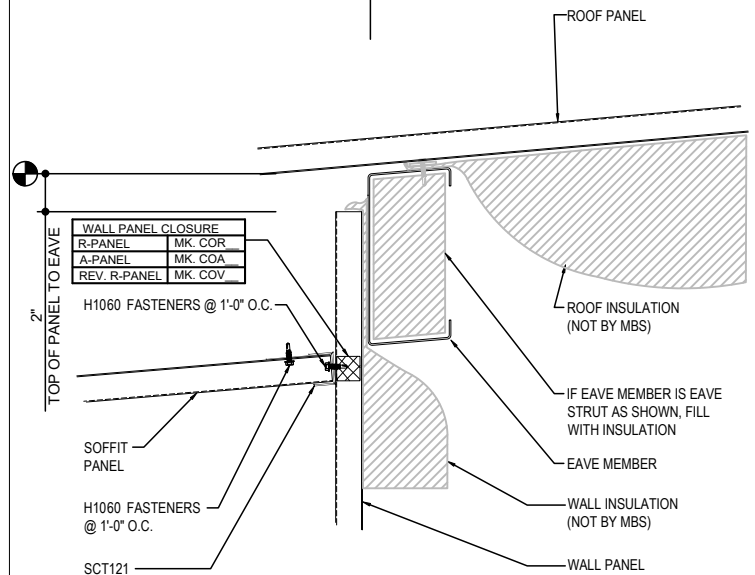
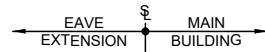
GUTTER SHOWN IF REQ'D

☐ REQ'D ONLY FOR GUTTER

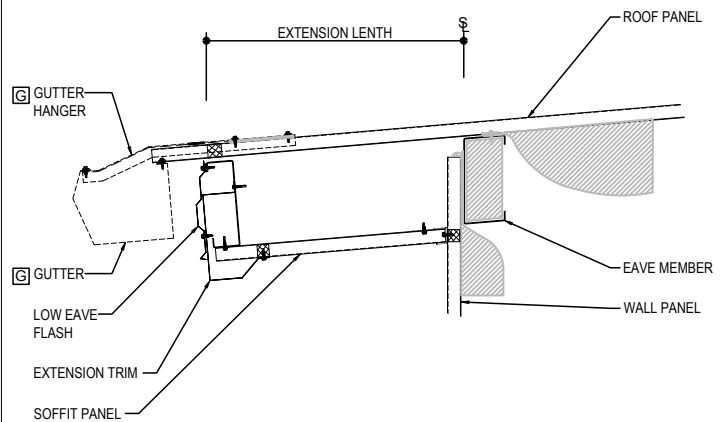


END OF EAVE EXTENSION

EAVE MEMBER DEPTH
1 = 8" TO 10"
2 = 12"
EAVE MEMBER TYPE
C = CEE CHANNEL
S = "S" CHANNEL



EAVE EXTENSION SOFFIT AT BUILDING STEEL LINE



LOW EAVE EXTENSION DETAIL

EAVE WITH OR WITHOUT GUTTER DETAIL W/ SOFFIT PANELS
SEE WALL SHEETING ERECTION NOTES FOR WALL PANEL FASTENER LOCATIONS

DO0010

Detailer Notes:

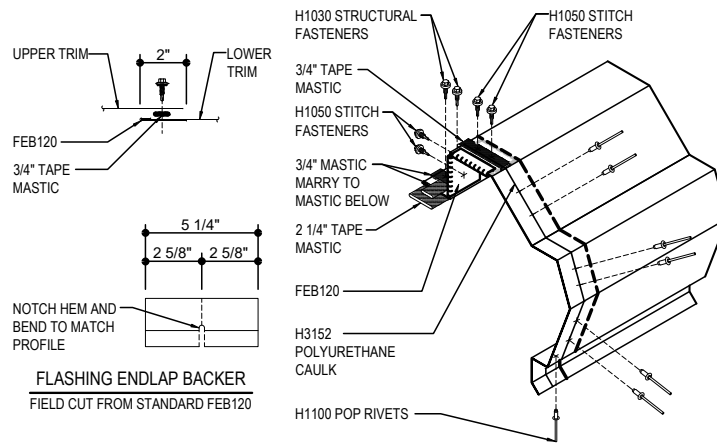
- 1) N/A

DO0214 - EAVE EXTENSION TERMINATION - INSET-FLUSH

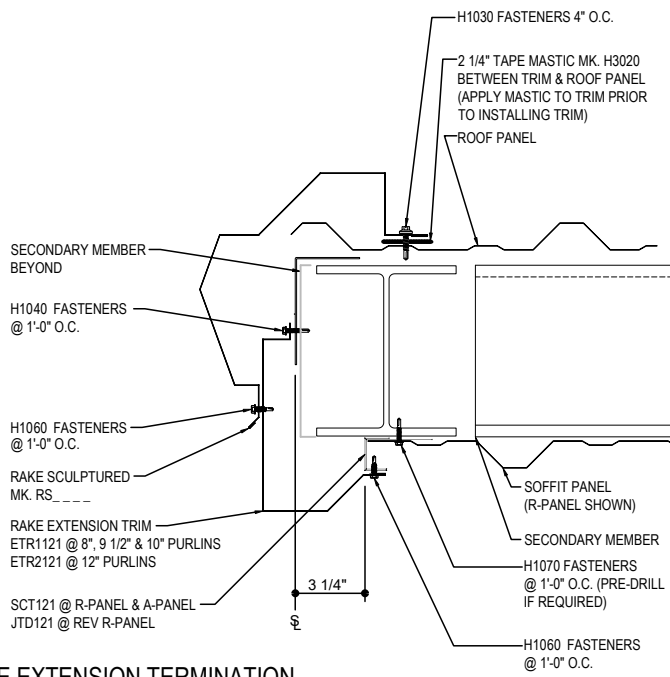
[Download the DWG file by clicking here.](#)

RAKE LAP & FLASHING BACKER

SLIDE FIELD CUT SECTION OF FLASHING ENDLAP BACKER ONTO THE LOWER TRIM PIECE AS SHOWN BELOW. PLACE TAPE MASTIC NEXT TO HEM OF THE BACKER (NOT ON TOP OF HEM). APPLY CONTINUOUS BEAD OF CAULK 1" FROM END OF TRIM DOWN PROFILE OF TRIM. FASTEN LAP WITH STITCH FASTENERS AND POP RIVETS AS SHOWN. ROOF STRUCTURAL FASTENERS SHOULD BE USED TO FASTEN THROUGH PANEL FLAT INTO RAKE ANGLE.



FLASHING ENDLAP BACKER
FIELD CUT FROM STANDARD FEB120



EAVE EXTENSION TERMINATION
RAKE CONTINUATION AT EAVE EXTENSION

DO0214

Detailer Notes:

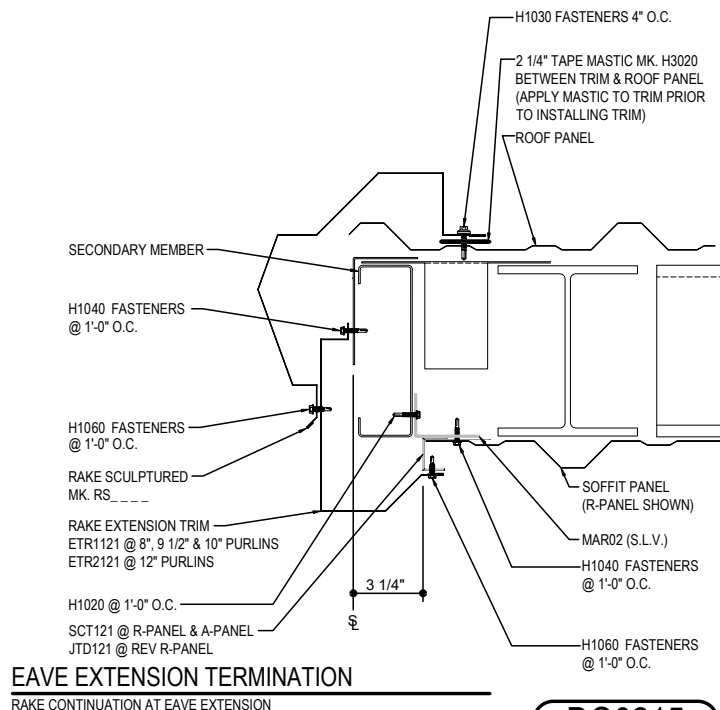
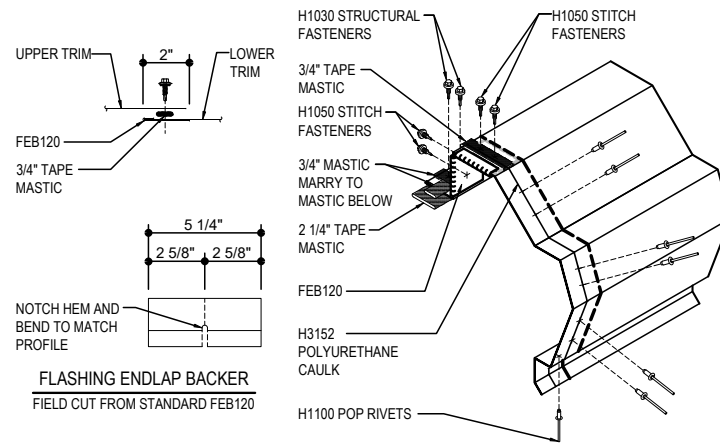
- 1) USE THIS DETAIL WITH FLUSH OR INSET ENDWALL CONDITIONS.

DO0215 - EAVE EXTENSION TERMINATION - BYPASS

[Download the DWG file by clicking here.](#)

RAKE LAP & FLASHING BACKER

SLIDE FIELD CUT SECTION OF FLASHING ENDLAP BACKER ONTO THE LOWER TRIM PIECE AS SHOWN BELOW. PLACE TAPE MASTIC NEXT TO HEM OF THE BACKER (NOT ON TOP OF HEM). APPLY CONTINUOUS BEAD OF CAULK 1" FROM END OF TRIM DOWN PROFILE OF TRIM. FASTEN LAP WITH STITCH FASTENERS AND POP RIVETS AS SHOWN. ROOF STRUCTURAL FASTENERS SHOULD BE USED TO FASTEN THROUGH PANEL FLAT INTO RAKE ANGLE.



DO0215

Detailer Notes:

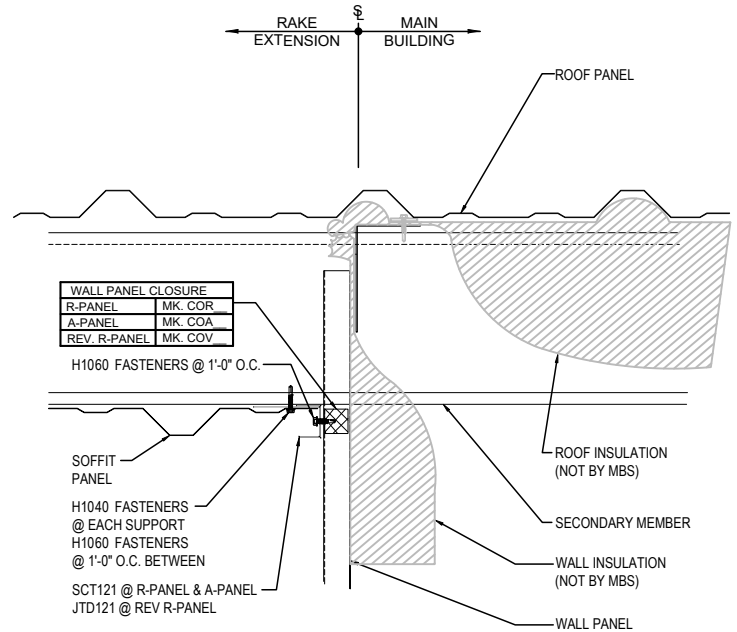
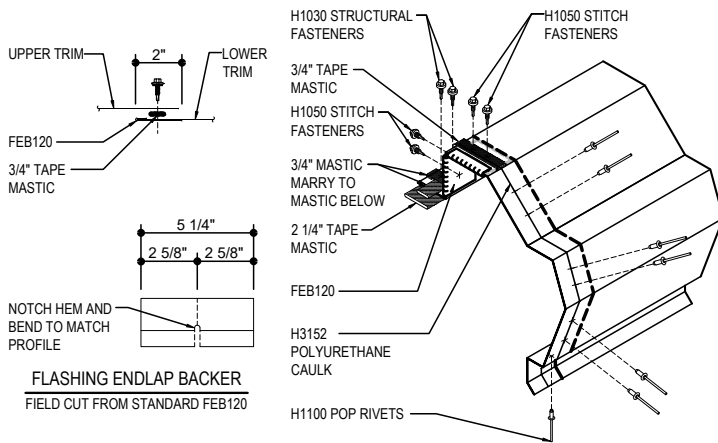
- 1) USE THIS DETAIL WITH BYPASS OR RIGID FRAME ENDWALL CONDITIONS.

DO0310 - RAKE EXTENSION

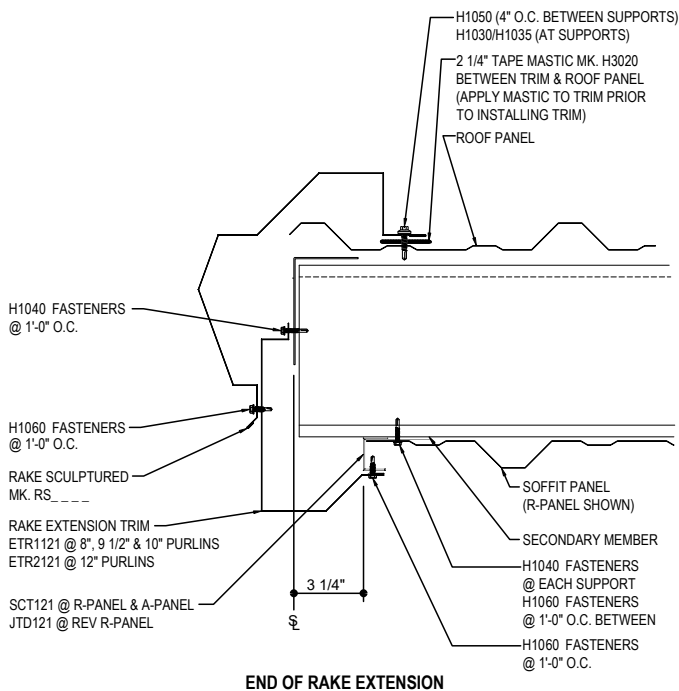
[Download the DWG file by clicking here.](#)

RAKE LAP & FLASHING BACKER

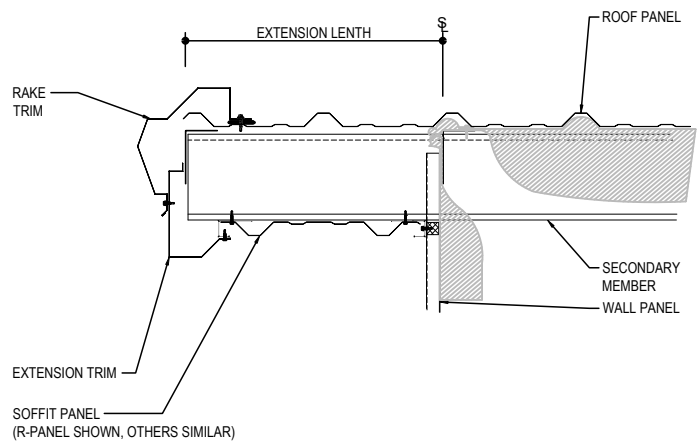
SLIDE FIELD CUT SECTION OF FLASHING ENLAP BACKER ONTO THE LOWER TRIM PIECE AS SHOWN BELOW. PLACE TAPE MASTIC NEXT TO HEM OF THE BACKER (NOT ON TOP OF HEM). APPLY CONTINUOUS BEAD OF CAULK 1" FROM END OF TRIM DOWN PROFILE OF TRIM. FASTEN LAP WITH STITCH FASTENERS AND POP RIVETS AS SHOWN. ROOF STRUCTURAL FASTENERS SHOULD BE USED TO FASTEN THROUGH PANEL FLAT INTO RAKE ANGLE.



RAKE EXTENSION SOFFIT AT BUILDING STEEL LINE



END OF RAKE EXTENSION



RAKE EXTENSION DETAIL

RAKE DETAIL w/ SOFFIT PANELS
 SEE WALL SHEETING ERECTION NOTES FOR WALL PANEL FASTENER LOCATIONS

DO0310

Detailer Notes:

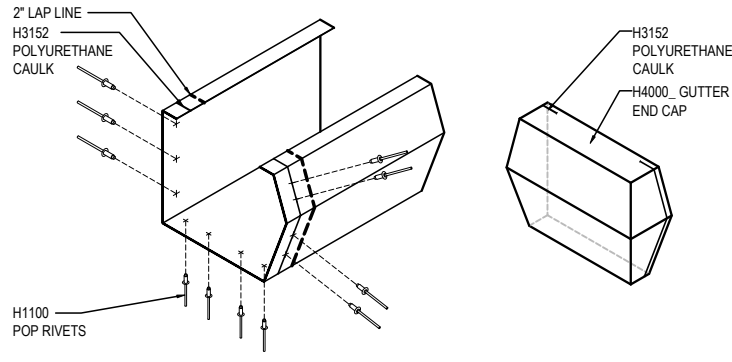
- 1) N/A

DO0312 - RAKE EXTENSION TERMINATION - LOW EAVE

[Download the DWG file by clicking here.](#)

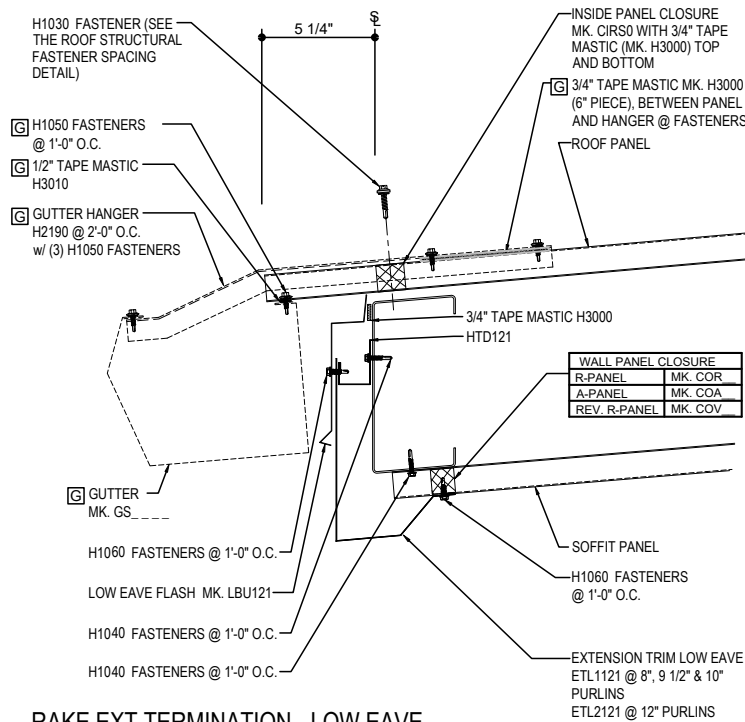
GUTTER LAP & END CAP

APPLY BEAD OF POLYURETHANE CAULK 1" FROM END OF TRIM AND LAP SECTIONS 2" AND FASTEN AS SHOWN. TO TERMINATE THE GUTTER APPLY POLYURETHANE CAULK TO THREE SIDES OF END CAP AND TOP RETURN AREA AS SHOWN AND INSERT 1/2" INTO END OF GUTTER. ATTACH WITH RIVETS SAME AS END LAP.



GUTTER SHOWN IF REQ'D

REQ'D ONLY
FOR GUTTER



RAKE EXT TERMINATION - LOW EAVE

EAVE WITH OR WITHOUT GUTTER CONTINUATION AT RAKE EXTENSION

DO0312

Detailer Notes:

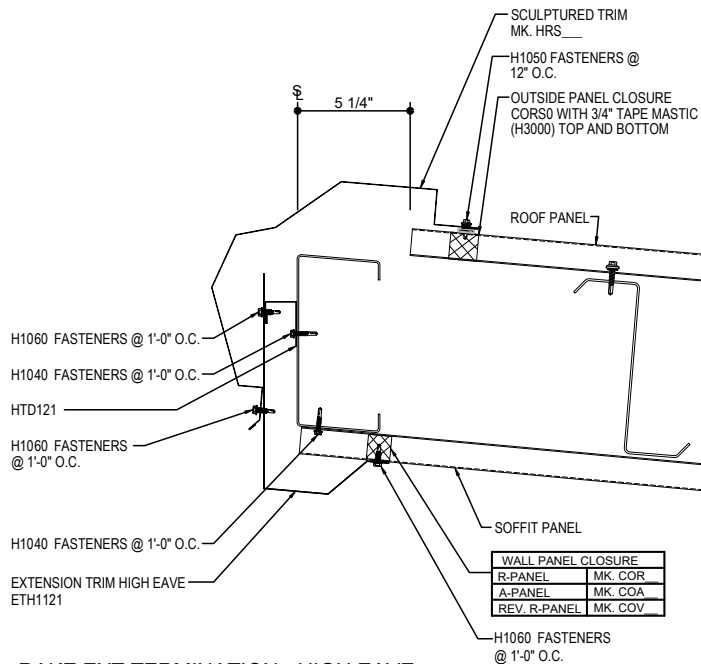
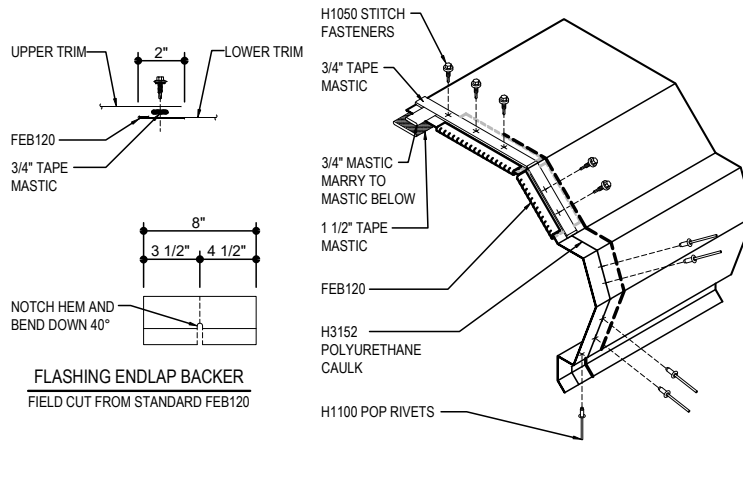
- 1) N/A

DO0314 - RAKE EXTENSION TERMINATION - HIGH EAVE

[Download the DWG file by clicking here.](#)

HIGH EAVE LAP & FLASHING BACKER

SLIDE FIELD CUT SECTION FLASHING ENDLAP BACKER ONTO THE LOWER TRIM PIECE. PLACE TAPE MASTIC NEXT TO HEM OF THE BACKER (NOT ON TOP OF HEM). APPLY CONTINUOUS BEAD OF CAULK 1" FROM END OF TRIM DOWN PROFILE OF TRIM. FASTEN LAP WITH STITCH FASTENERS AND POP RIVETS AS SHOWN.



RAKE EXT TERMINATION - HIGH EAVE

HIGH EAVE CONTINUATION AT RAKE EXTENSION

DO0314

Detailer Notes:

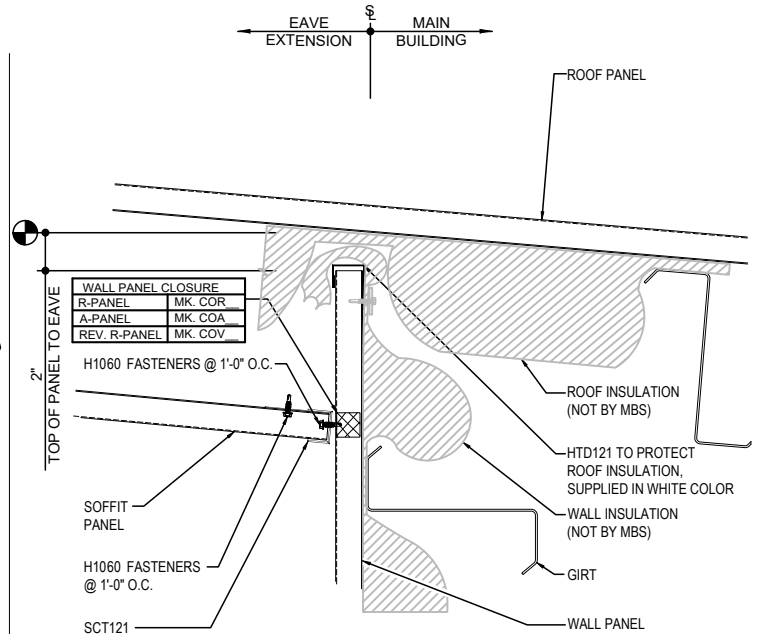
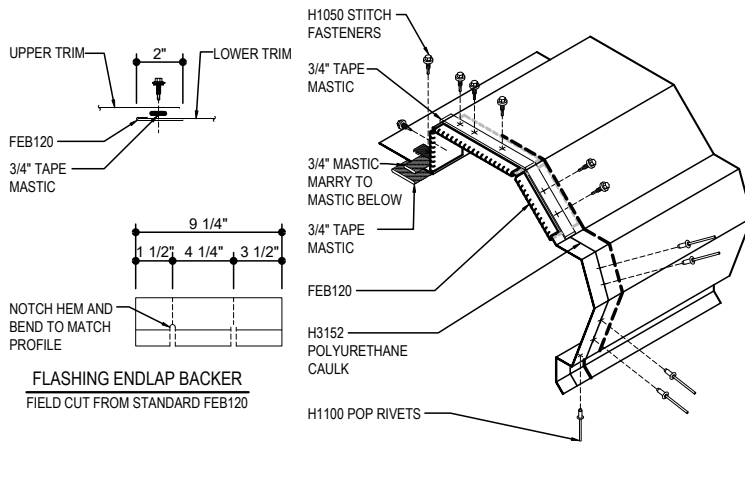
- 1) N/A

DO0410 - HIGH EAVE EXTENSION

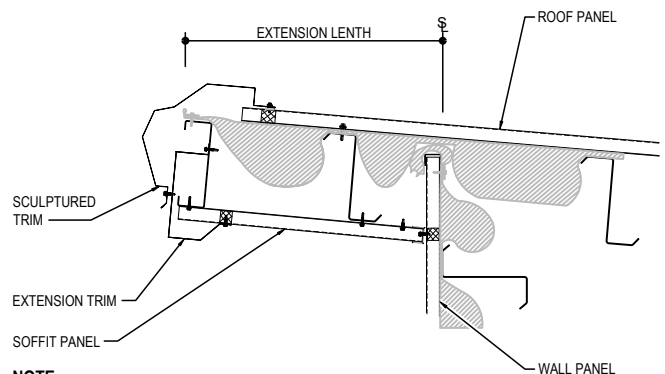
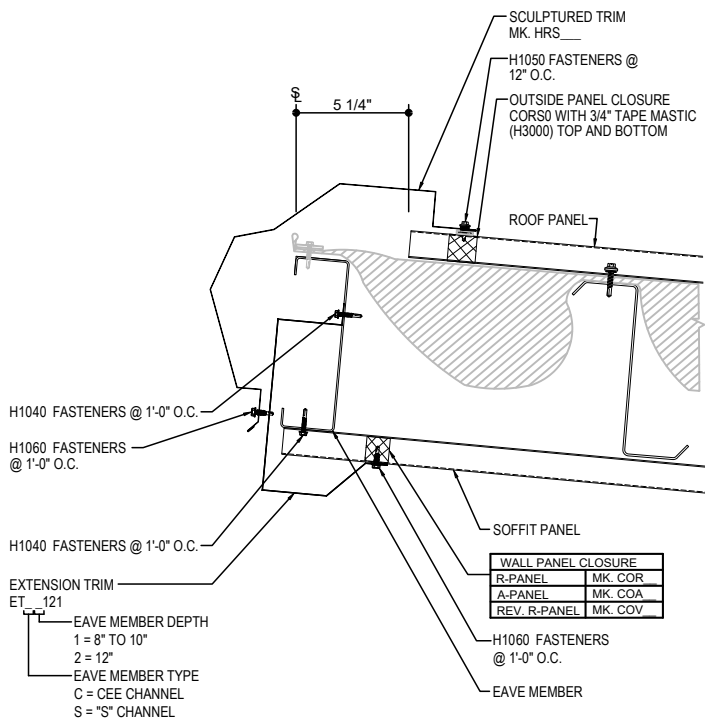
[Download the DWG file by clicking here.](#)

HIGH EAVE LAP & FLASHING BACKER

SLIDE FIELD CUT SECTION FLASHING ENDLAP BACKER ONTO THE LOWER TRIM PIECE. PLACE TAPE MASTIC NEXT TO HEM OF THE BACKER (NOT ON TOP OF HEM). APPLY CONTINUOUS BEAD OF CAULK 1" FROM END OF TRIM DOWN PROFILE OF TRIM. FASTEN LAP WITH STITCH FASTENERS AND POP RIVETS AS SHOWN.



EAVE EXTENSION SOFFIT AT BUILDING STEEL LINE



NOTE:
ROOF INSULATION NEEDS TO EXTEND OVER PURLINS TO PROVIDE SUPPORT UNDER PANEL AT PURLIN LOCATIONS. WALL INSULATION TERMINATION SHOWN IS A SUGGESTION BUT MAY VARY.

HIGH EAVE EXTENSION DETAIL

HIGH EAVE DETAIL W/ SOFFIT PANELS
SEE WALL SHEETING ERECTION NOTES FOR WALL PANEL FASTENER LOCATIONS

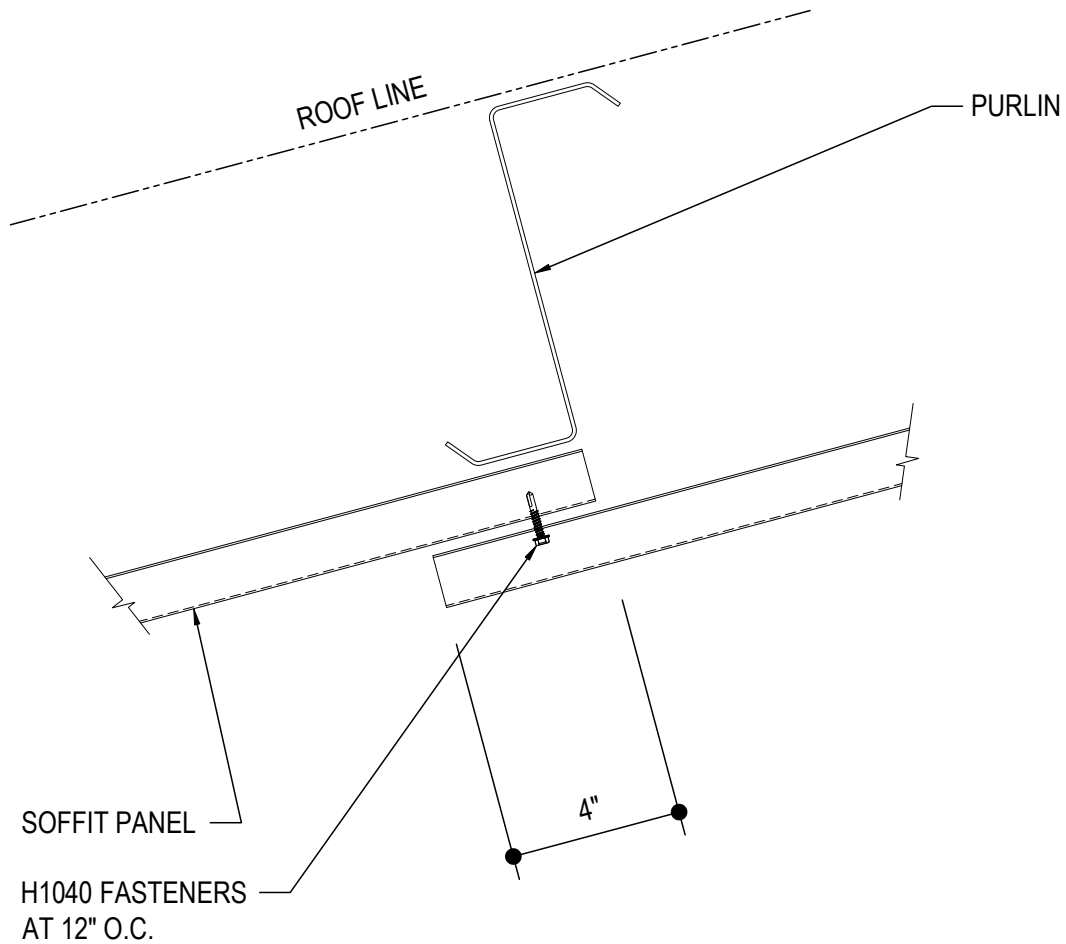
DO0410

Detailer Notes:

- 1) EXTENSIONS BETWEEN 1'-3" AND 1'-8" - PURLIN WILL INTERFERE WITH WALL PANEL AND DETAIL WILL HAVE TO BE MODIFIED TO ADJUST WALL PANEL SET DOWN TO KEEP PURLIN AT 1'-4" FROM STEEL LINE.

DO0610 - SOFFIT PANEL ENDLAP

[Download the DWG file by clicking here.](#)



SOFFIT PANEL ENDLAP

DO0610

Detailer Notes:

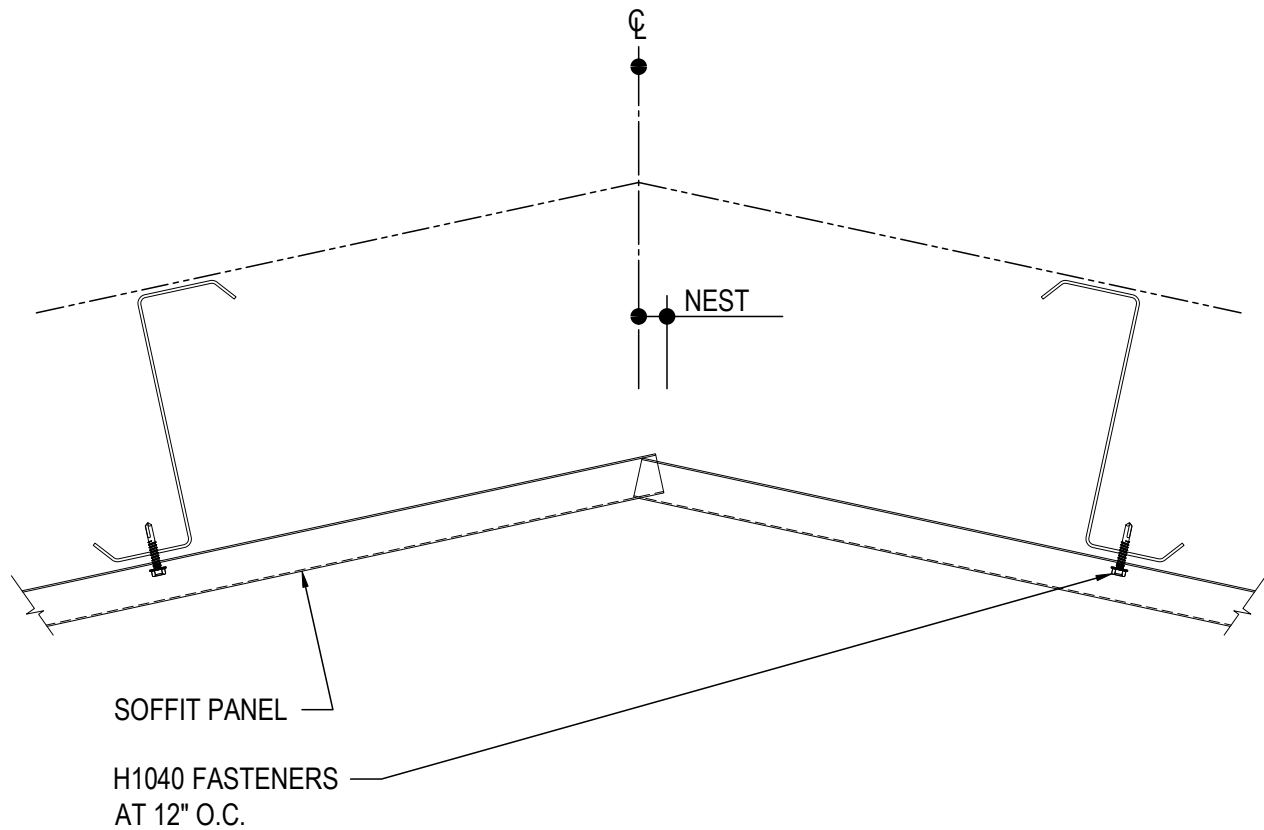
- 1) N/A

DO0615 - SOFFIT PANEL - RIDGE \leq 1:12

[Download the DWG file by clicking here.](#)

ERECTOR NOTE:

EXTEND THE PANEL PAST THE CENTERLINE OF THE RIDGE ON ONE SIDE OF THE RIDGE AS SHOWN. NEST THE OTHER PANEL INTO THE PROFILE.



SOFFIT PANEL RIDGE DETAIL

SOFFIT PANEL - SLOPES \leq 1:12
ALL STANDARD SOFFIT PANEL TYPES

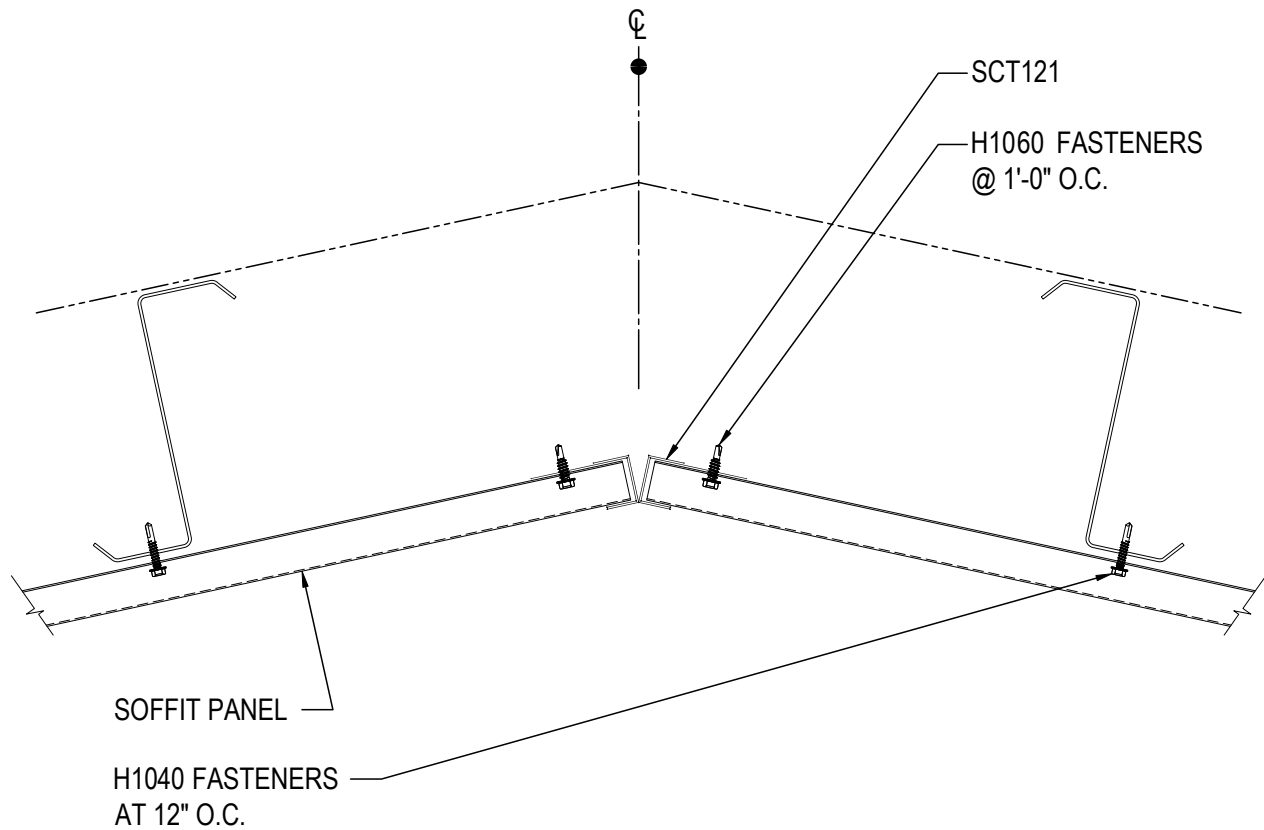
DO0615

Detailer Notes:

1) N/A

DO0616 - SOFFIT PANEL - RIDGE > 1:12

[Download the DWG file by clicking here.](#)



SOFFIT PANEL RIDGE DETAIL

SOFFIT PANEL - SLOPES >1:12
ALL STANDARD SOFFIT PANEL TYPES

DO0616

Detailer Notes:

- 1) N/A