

CANOPY SHEETING

- DQ0005 - SOFFIT PANEL ERECTION DETAIL
 - DQ0007 - FLAT SL PANEL ATTACHMENT DETAIL
 - DQ0010 - LOW EAVE CANOPY - AT EAVE
 - DQ0110 - BELOW EAVE CANOPY
 - DQ0214 - CANOPY TERMINATION - INSET-FLUSH
 - DQ0215 - CANOPY TERMINATION - BYPASS
 - DQ0410 - HIGH EAVE CANOPY - AT EAVE
 - DQ0510 - CANOPY SOFFIT TERM AT BEAM
-

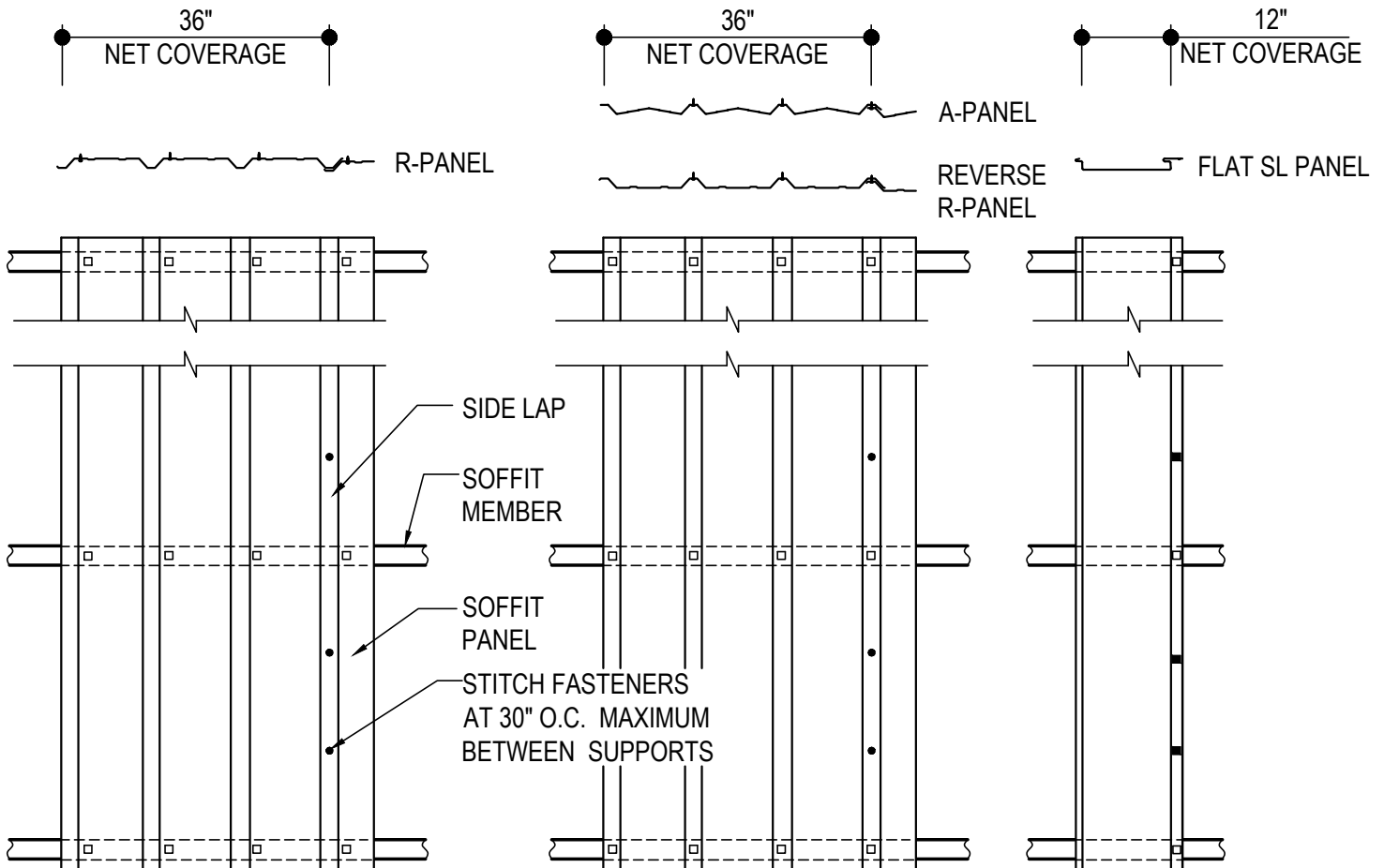
DQ0005 - SOFFIT PANEL ERECTION DETAIL

[Download the DWG file by clicking here.](#)

- H1060 STITCH FASTENER
- ▣ H1040 STRUCTURAL FASTENER
- NEGATIVE LOAD CLIP (MK. NLC-1)
(SEE FLAT SL PANEL ATTACHMENT DETAIL)

ERECTOR NOTE:

ERECTION OF THE SOFFIT PANEL MUST BE COORDINATED PROPERLY WITH THE SOFFIT TRIM CONDITIONS AS SHOWN IN THE ERECTION DETAILS. PLACEMENT AND ORIENTATION OF THE SOFFIT PANEL MAY VARY BY CONDITION AND SUPPORT MEMBERS MAY ALSO VARY. USE THIS FASTENING PATTERN UNLESS TRIM SECTION SHOWS A SPECIFIC PATTERN.



SOFFIT PANEL ERECTION DETAIL

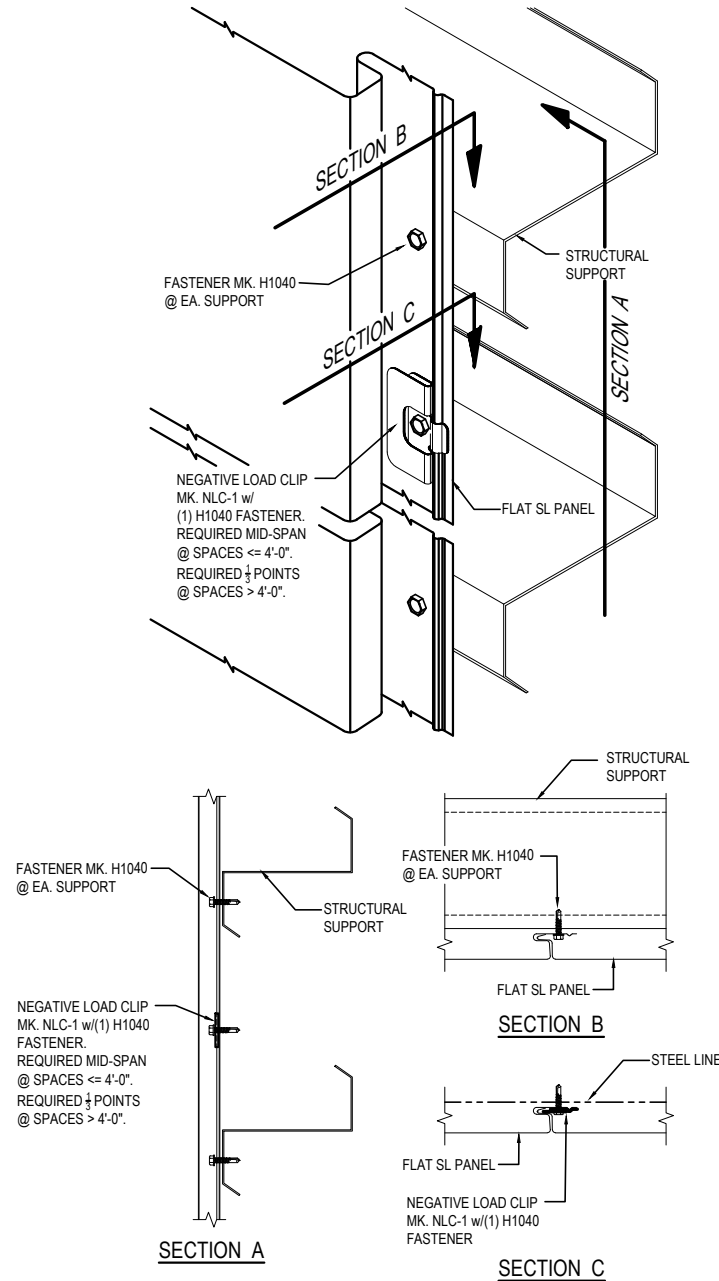
DQ0005

Detailer Notes:

- 1) THIS DETAIL IS A DUPLICATE OF DO0005, EO3005, EO6005, EQ3005, EQ6005, HK0005, & IK0005. DUPLICATE DETAILS ARE TO ENSURE THAT THEY ARE PLACED IN ORDER IN THE ERECTION DRAWINGS.

DQ0007 - FLAT SL PANEL ATTACHMENT DETAIL

[Download the DWG file by clicking here.](#)



FLAT SL PANEL ATTACHMENT DETAIL
FLAT SL PANEL ATTACHMENT AT COLD FORM SECONDARY

DQ0007

Detailer Notes:

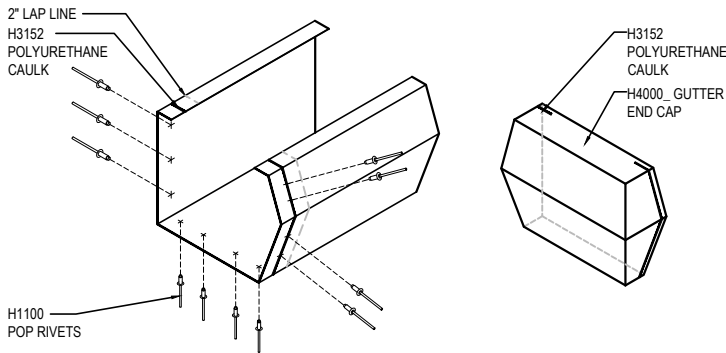
- 1) THIS DETAIL IS A DUPLICATE OF DO0007, EO3007, EO6007, EQ3007, EQ6007, HK0007, & IK0007. DUPLICATE DETAILS ARE TO ENSURE THAT THEY ARE PLACED IN ORDER IN THE ERECTION DRAWINGS.

DQ0010 - LOW EAVE CANOPY - AT EAVE

[Download the DWG file by clicking here.](#)

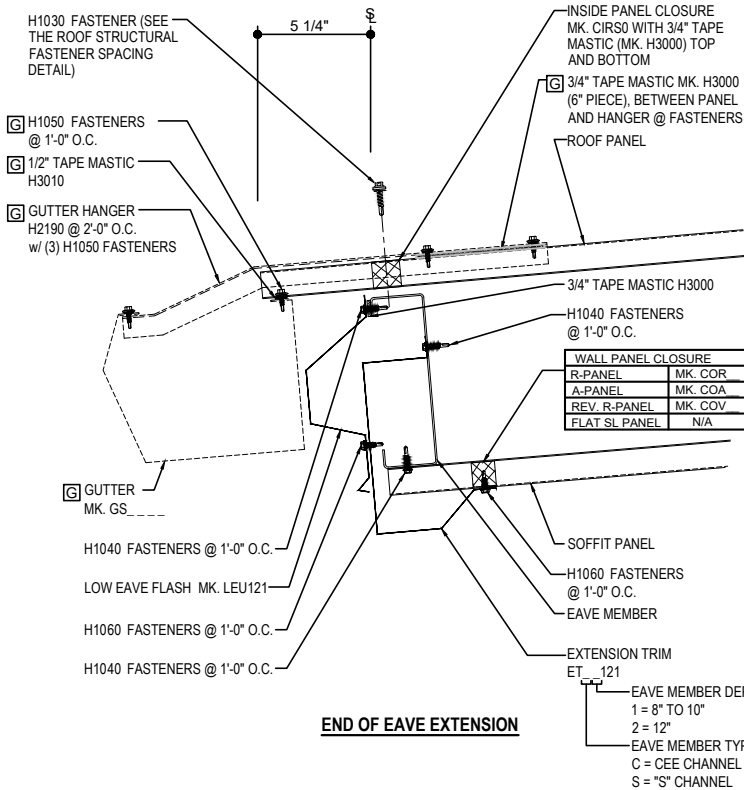
GUTTER LAP & END CAP

APPLY BEAD OF POLYURETHANE CAULK 1" FROM END OF TRIM AND LAP SECTIONS 2" AND FASTEN AS SHOWN. TO TERMINATE THE GUTTER APPLY POLYURETHANE CAULK TO THREE SIDES OF END CAP AND TOP RETURN AREA AS SHOWN AND INSERT 1/2" INTO END OF GUTTER. ATTACH WITH RIVETS SAME AS END LAP.

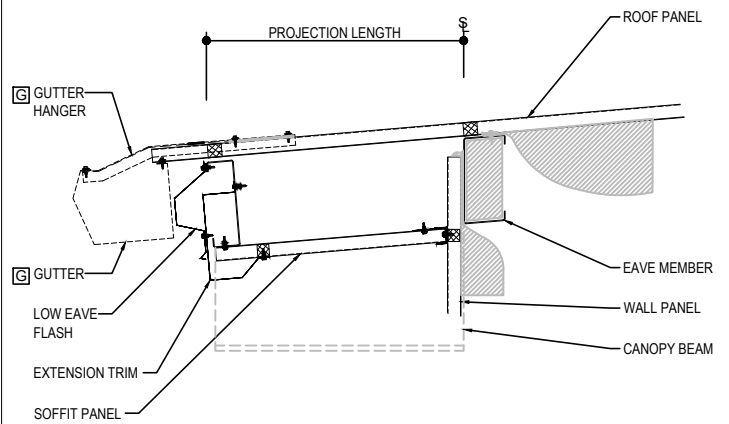
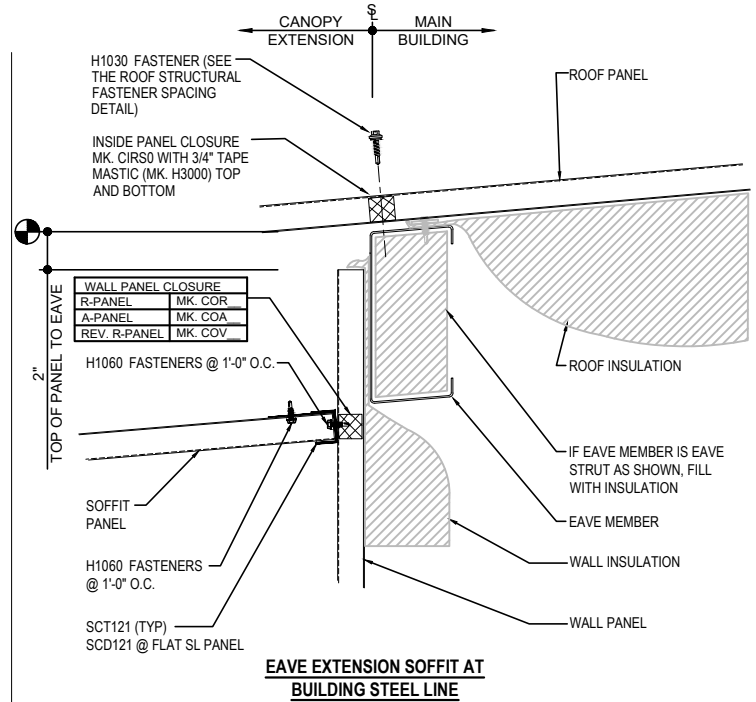


GUTTER SHOWN IF REQ'D

☐ REQ'D ONLY FOR GUTTER



END OF EAVE EXTENSION



LOW EAVE CANOPY - AT EAVE

EAVE WITH OR WITHOUT GUTTER DETAIL W/ SOFFIT PANELS
SEE WALL SHEETING ERECTION NOTES FOR WALL PANEL FASTENER LOCATIONS

DQ0010

Detailer Notes:

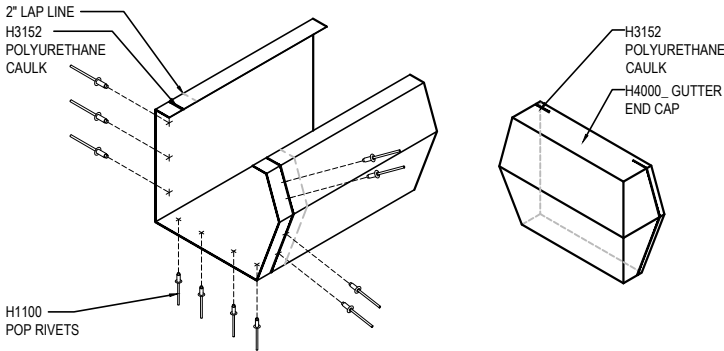
- 1) N/A

DQ0110 - BELOW EAVE CANOPY

[Download the DWG file by clicking here.](#)

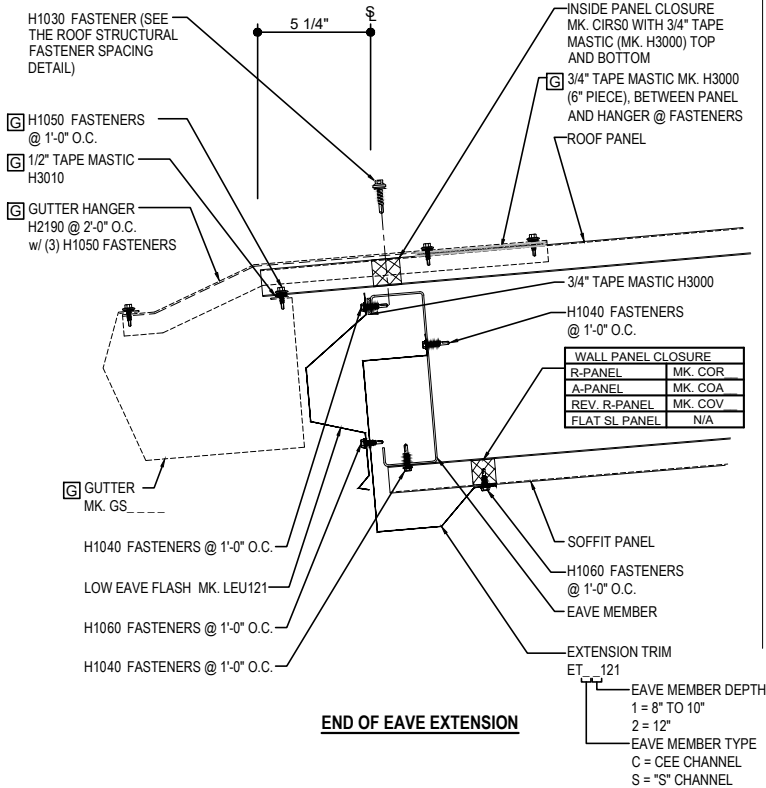
GUTTER LAP & END CAP

APPLY BEAD OF POLYURETHANE CAULK 1" FROM END OF TRIM AND LAP SECTIONS 2" AND FASTEN AS SHOWN. TO TERMINATE THE GUTTER APPLY POLYURETHANE CAULK TO THREE SIDES OF END CAP AND TOP RETURN AREA AS SHOWN AND INSERT 1/2" INTO END OF GUTTER. ATTACH WITH RIVETS SAME AS END LAP.



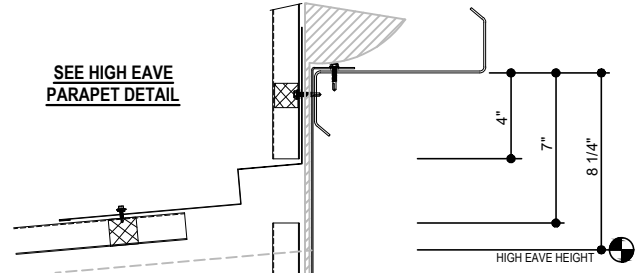
GUTTER SHOWN IF REQ'D

☐ REQ'D ONLY FOR GUTTER

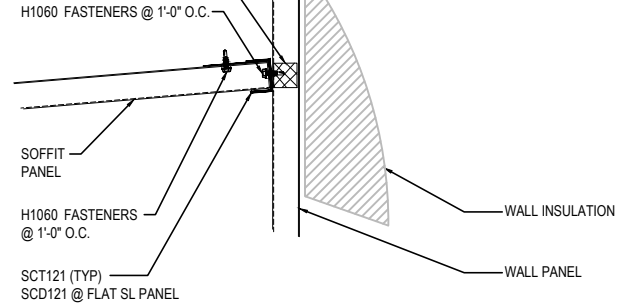


END OF EAVE EXTENSION

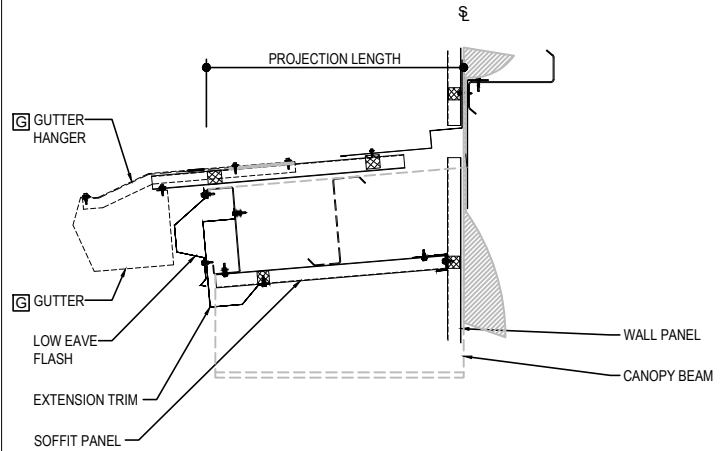
SEE HIGH EAVE PARAPET DETAIL



WALL PANEL CLOSURE	
R-PANEL	MK. COR
A-PANEL	MK. COA
REV. R-PANEL	MK. COV



EAVE EXTENSION SOFFIT AT BUILDING STEEL LINE



BELOW EAVE CANOPY

EAVE WITH OR WITHOUT GUTTER DETAIL W/ SOFFIT PANELS
SEE WALL SHEETING ERECTION NOTES FOR WALL PANEL FASTENER LOCATIONS

DQ0110

Detailer Notes:

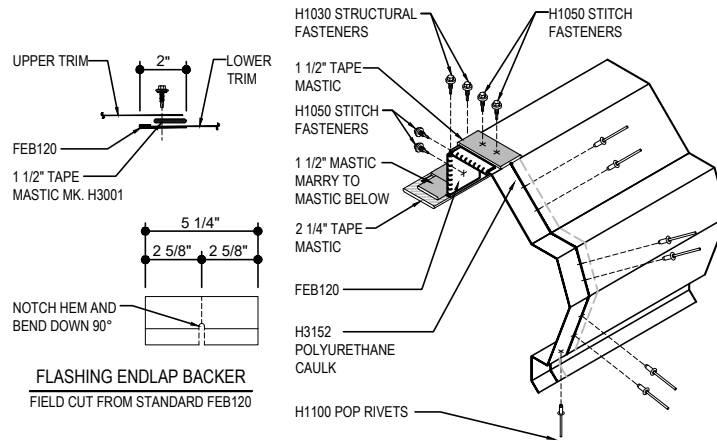
- 1) N/A

DQ0214 - CANOPY TERMINATION - INSET-FLUSH

[Download the DWG file by clicking here.](#)

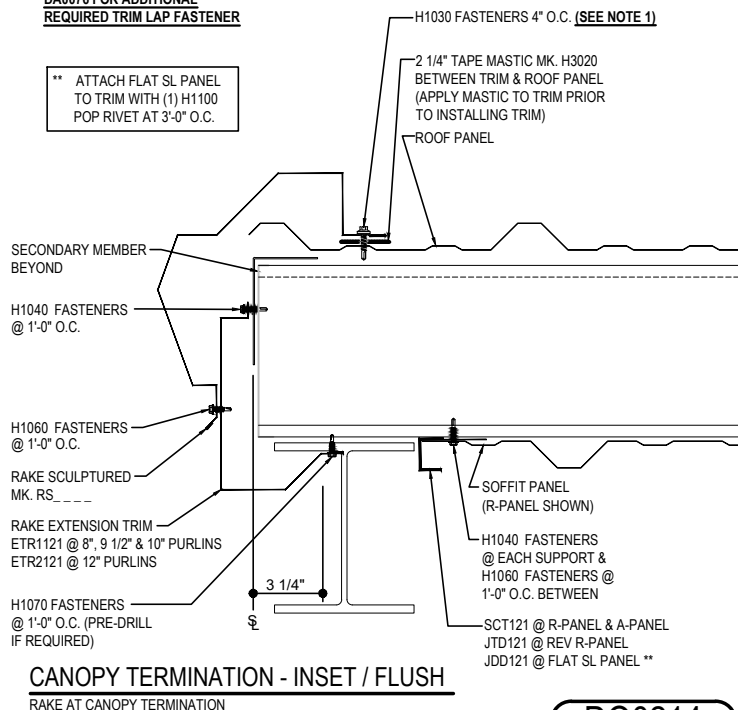
RAKE LAP & FLASHING BACKER

SLIDE FIELD CUT SECTION OF FLASHING ENDLAP BACKER ONTO THE LOWER TRIM PIECE AS SHOWN BELOW. PLACE TAPE MASTIC NEXT TO HEM OF THE BACKER (NOT ON TOP OF HEM). APPLY CONTINUOUS BEAD OF CAULK 1" FROM END OF TRIM DOWN PROFILE OF TRIM. FASTEN LAP WITH STITCH FASTENERS AND POP RIVETS AS SHOWN. ROOF STRUCTURAL FASTENERS SHOULD BE USED TO FASTEN THROUGH PANEL FLAT INTO RAKE ANGLE.



NOTE 1: REFERENCE DETAIL DA0076 FOR ADDITIONAL REQUIRED TRIM LAP FASTENER

** ATTACH FLAT SL PANEL TO TRIM WITH (1) H1100 POP RIVET AT 3'-0" O.C.



CANOPY TERMINATION - INSET / FLUSH
RAKE AT CANOPY TERMINATION

DQ0214

Detailer Notes:

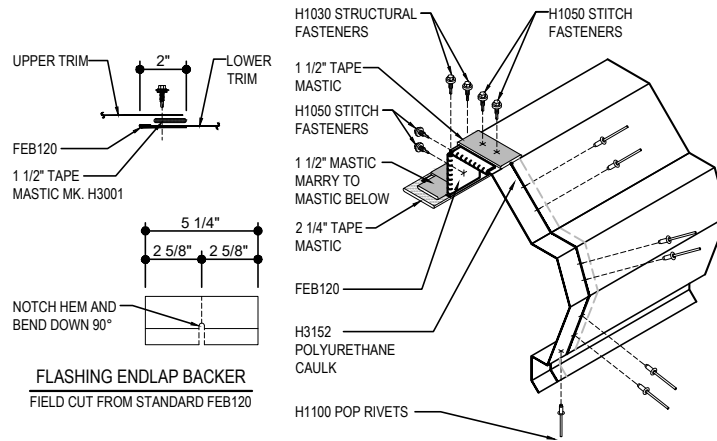
- 1) USE THIS DETAIL WITH FLUSH OR INSET ENDWALL CONDITIONS.

DQ0215 - CANOPY TERMINATION - BYPASS

[Download the DWG file by clicking here.](#)

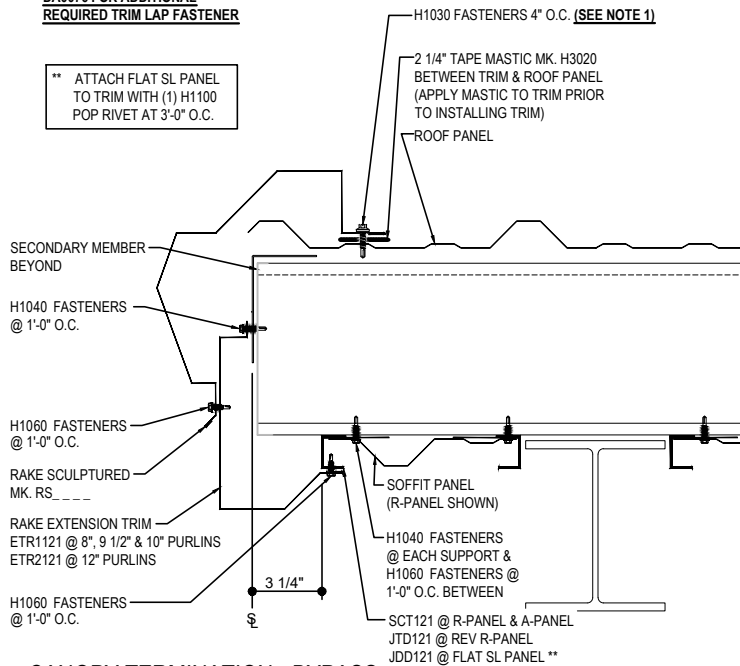
RAKE LAP & FLASHING BACKER

SLIDE FIELD CUT SECTION OF FLASHING ENDLAP BACKER ONTO THE LOWER TRIM PIECE AS SHOWN BELOW. PLACE TAPE MASTIC NEXT TO HEM OF THE BACKER (NOT ON TOP OF HEM). APPLY CONTINUOUS BEAD OF CAULK 1" FROM END OF TRIM DOWN PROFILE OF TRIM. FASTEN LAP WITH STITCH FASTENERS AND POP RIVETS AS SHOWN. ROOF STRUCTURAL FASTENERS SHOULD BE USED TO FASTEN THROUGH PANEL FLAT INTO RAKE ANGLE.



NOTE 1: REFERENCE DETAIL DA0076 FOR ADDITIONAL REQUIRED TRIM LAP FASTENER

** ATTACH FLAT SL PANEL TO TRIM WITH (1) H1100 POP RIVET AT 3'-0" O.C.



CANOPY TERMINATION - BYPASS
RAKE AT CANOPY TERMINATION

DQ0215

Detailer Notes:

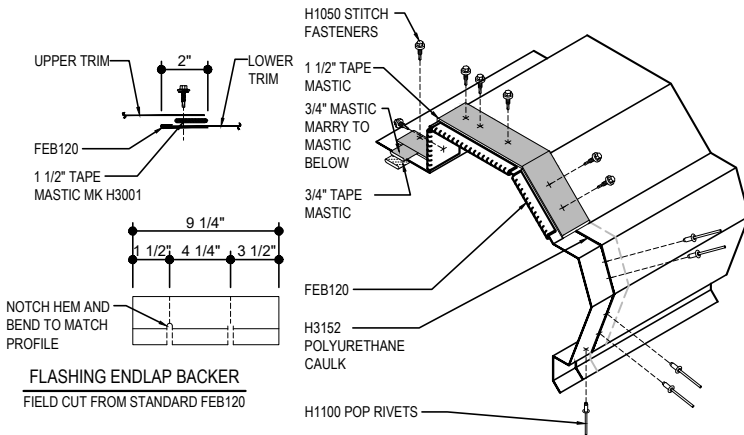
- 1) USE THIS DETAIL WITH BYPASS ENDWALL CONDITIONS.

DQ0410 - HIGH EAVE CANOPY - AT EAVE

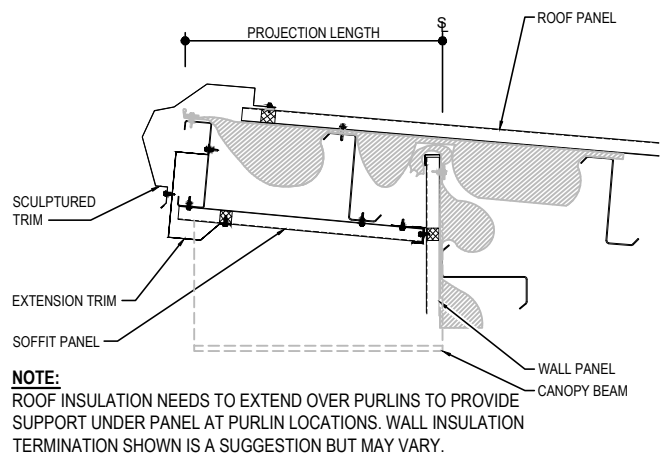
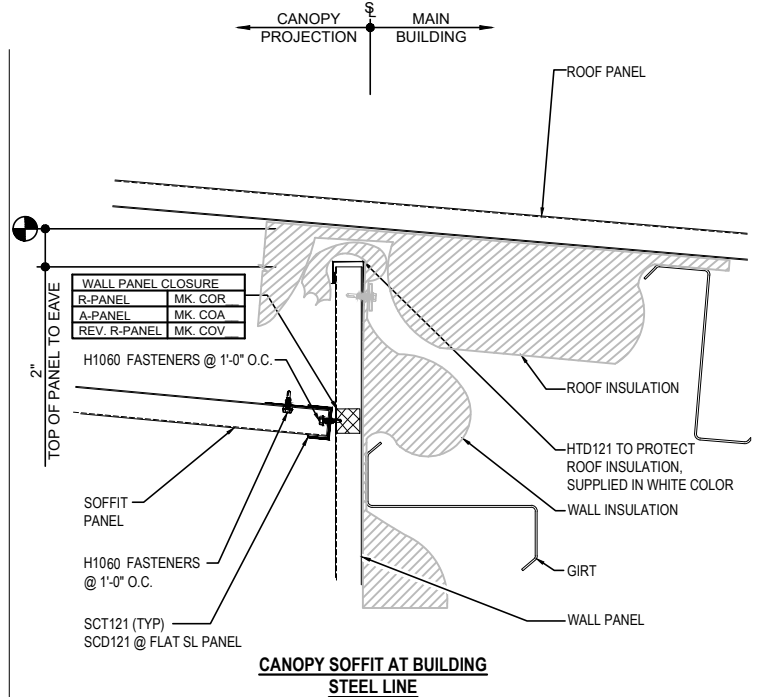
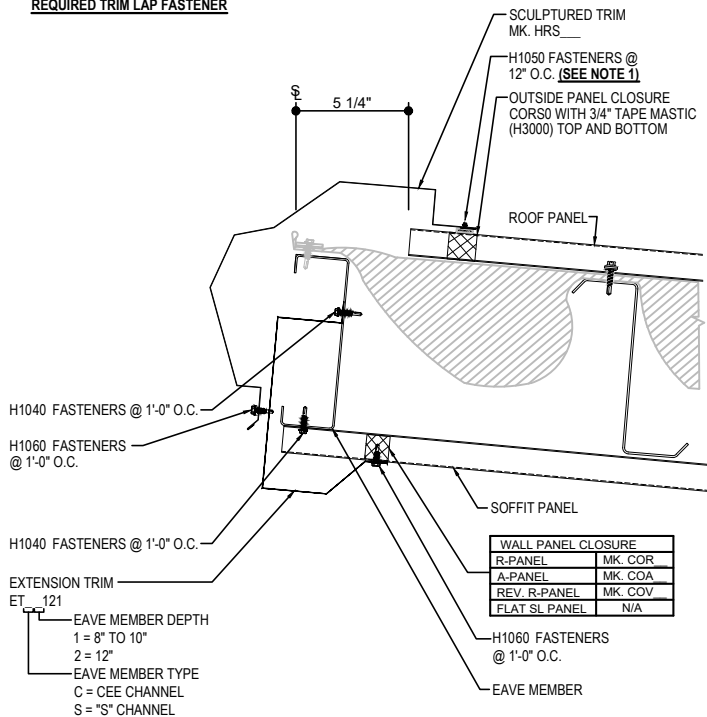
[Download the DWG file by clicking here.](#)

HIGH EAVE LAP & FLASHING BACKER

SLIDE FIELD CUT SECTION FLASHING ENDLAP BACKER ONTO THE LOWER TRIM PIECE. PLACE TAPE MASTIC NEXT TO HEM OF THE BACKER (NOT ON TOP OF HEM). APPLY CONTINUOUS BEAD OF CAULK 1" FROM END OF TRIM DOWN PROFILE OF TRIM. FASTEN LAP WITH STITCH FASTENERS AND POP RIVETS AS SHOWN.



NOTE 1: REFERENCE DETAIL DA0076 FOR ADDITIONAL REQUIRED TRIM LAP FASTENER



HIGH EAVE CANOPY - AT EAVE

HIGH EAVE DETAIL w/ SOFFIT PANELS
SEE WALL SHEETING ERECTION NOTES FOR WALL PANEL FASTENER LOCATIONS

DQ0410

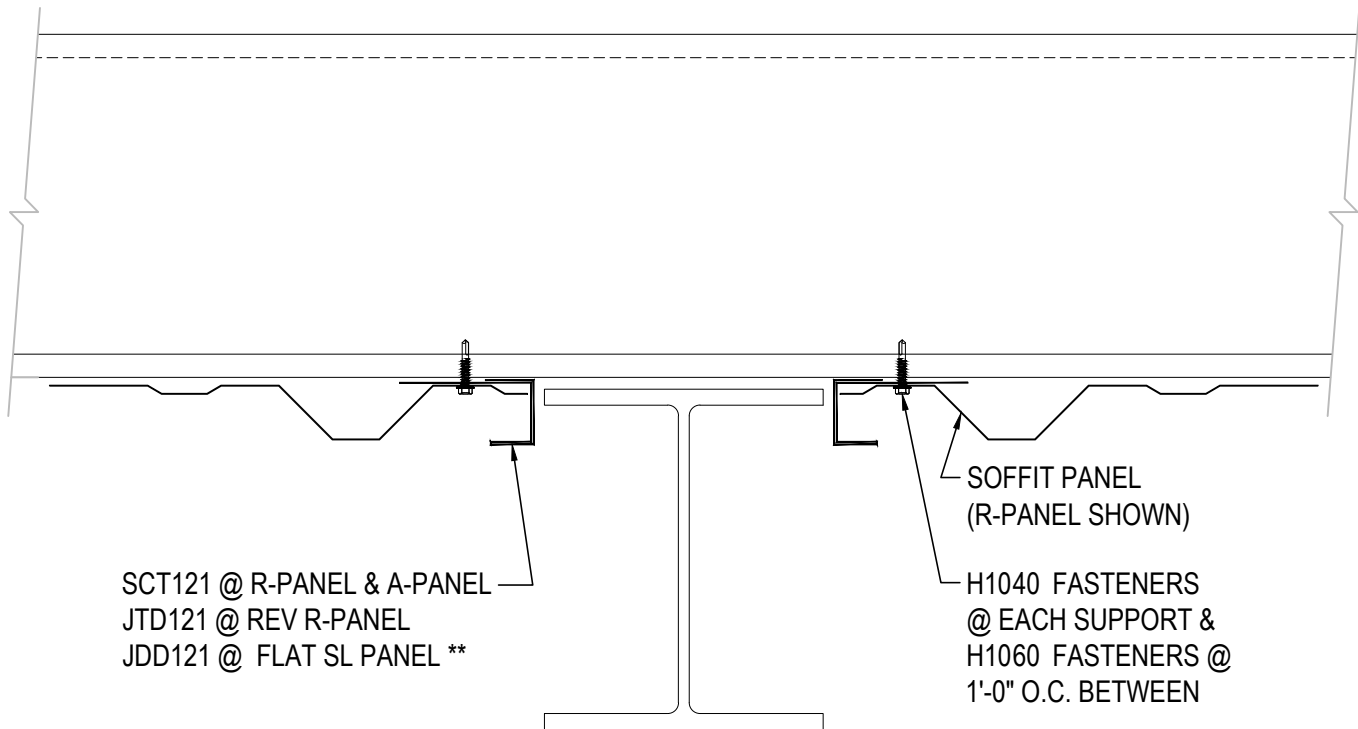
Detailer Notes:

1) N/A

DQ0510 - CANOPY SOFFIT TERMINATION AT BEAM

[Download the DWG file by clicking here.](#)

** ATTACH FLAT SL PANEL
TO TRIM WITH (1) H1100
POP RIVET AT 3'-0" O.C.



CANOPY SOFFIT TERMINATION AT BEAM

SEE SOFFIT PANEL ERECTION NOTE FOR SOFFIT PANEL FASTENER LOCATIONS

DQ0510

Detailer Notes:

1) THIS DETAIL IS DUPLICATE OF EQ3510 & EQ6510. DUPLICATE DETAILS ARE TO ENSURE THAT THEY ARE PLACED IN ORDER IN ERECTION DRAWINGS.