

LOW EAVE (GUTTER)

ED3005 - GUTTER EXTENSION TRIM

ED3010 - ON-SLOPE GUTTER - WALL PANEL

ED3040 - ON-SLOPE GUTTER - MASONRY WALL

ED3050 - ON-SLOPE GUTTER - SUPPORTING MASONRY WALL

ED3070 - ON-SLOPE GUTTER - NO WALL PANEL

ED3310 - HORIZONTAL GUTTER - WALL PANEL

ED3410 - HORIZONTAL GUTTER - MASONRY WALL

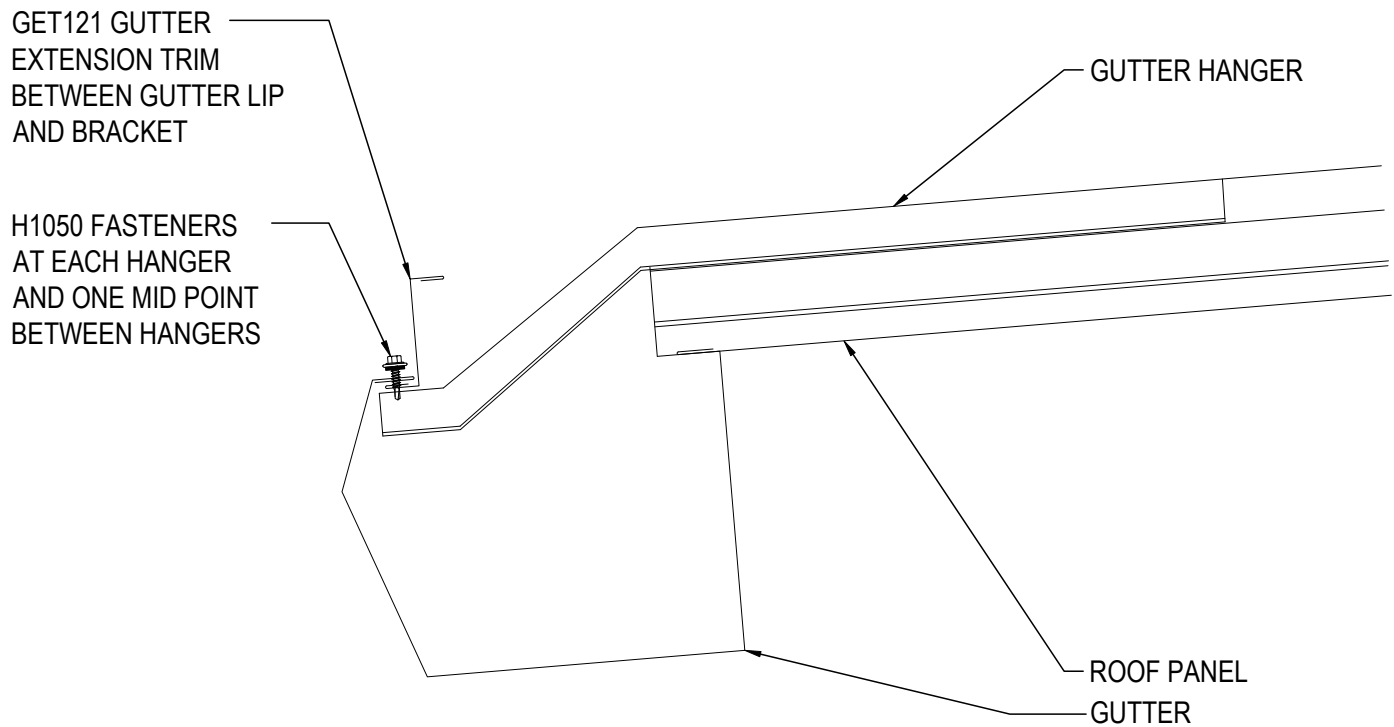
ED3610 - ON-SLOPE GUTTER - INSULATED WALL PANEL

ED3620 - HORIZONTAL GUTTER - INSULATED WALL PANEL

ED3005 - GUTTER EXTENSION TRIM

[Download the DWG file by clicking here.](#)

NOTE: IT IS RECOMMENDED TO TEMPORARILY FASTEN THE GUTTER EXTENSION TRIM TO THE GUTTER PRIOR TO INSTALLING GUTTER WITH POP RIVETS. THEN INSTALL FASTENERS AT TIME OF GUTTER INSTALLATION. SEE THE GUTTER INSTALLATION DETAIL FOR FURTHER INSTRUCTIONS.



GUTTER EXTENSION TRIM DETAIL

OPTIONAL GUTTER EXTENSION TRIM DETAIL

ED3005

Detailer Notes:

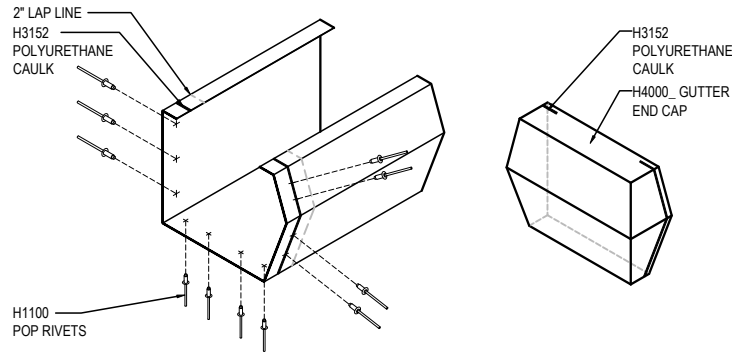
- 1) THIS DETAIL CAN BE USED WITH ANY PANEL TYPE - LOC SEAM / TRAPEZOIDAL / IMP / R-PANEL

ED3010 - ON-SLOPE GUTTER w/ WALL PANEL

[Download the DWG file by clicking here.](#)

GUTTER LAP & END CAP

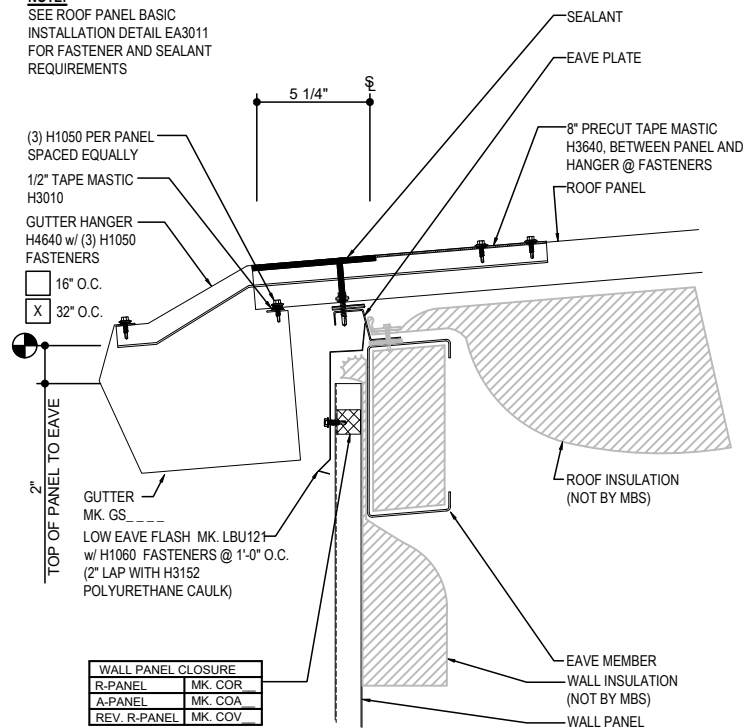
APPLY BEAD OF POLYURETHANE CAULK 1" FROM END OF TRIM AND LAP SECTIONS 2" AND FASTEN AS SHOWN. TO TERMINATE THE GUTTER APPLY POLYURETHANE CAULK TO THREE SIDES OF END CAP AND TOP RETURN AREA AS SHOWN AND INSERT INTO THE GUTTER LEAVING 1/2" EXPOSED. ATTACH WITH RIVETS SAME AS END LAP.



NOTE 1: PANEL RIB MUST BE HAND CRIMPED 90° (NOT 360°) PRIOR TO INSTALLING GUTTER BRACKET!

NOTE:

SEE ROOF PANEL BASIC INSTALLATION DETAIL EA3011 FOR FASTENER AND SEALANT REQUIREMENTS



ON-SLOPE GUTTER DETAIL

EAVE GUTTER DETAIL w/ WALL PANELS
SEE WALL SHEETING ERECTION NOTES FOR WALL PANEL FASTENER LOCATIONS

ED3010

Detailer Notes:

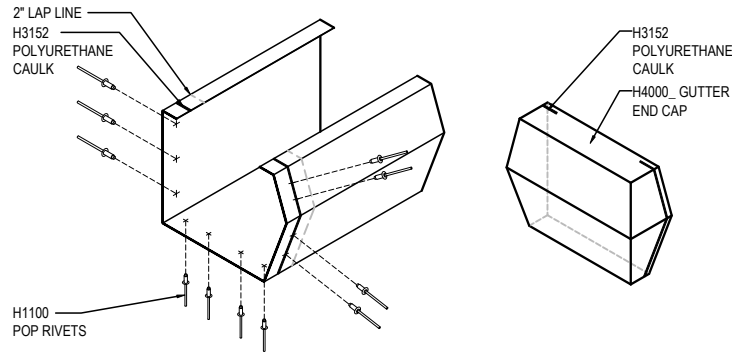
- 1) CLOSURES LOW EAVE LAYER DEFAULT IS ON. LAYER MUST BE TURNED OFF IF CLOSURES ARE NOT REQUIRED.

ED3040 - ON-SLOPE GUTTER w/ MASONRY WALL

[Download the DWG file by clicking here.](#)

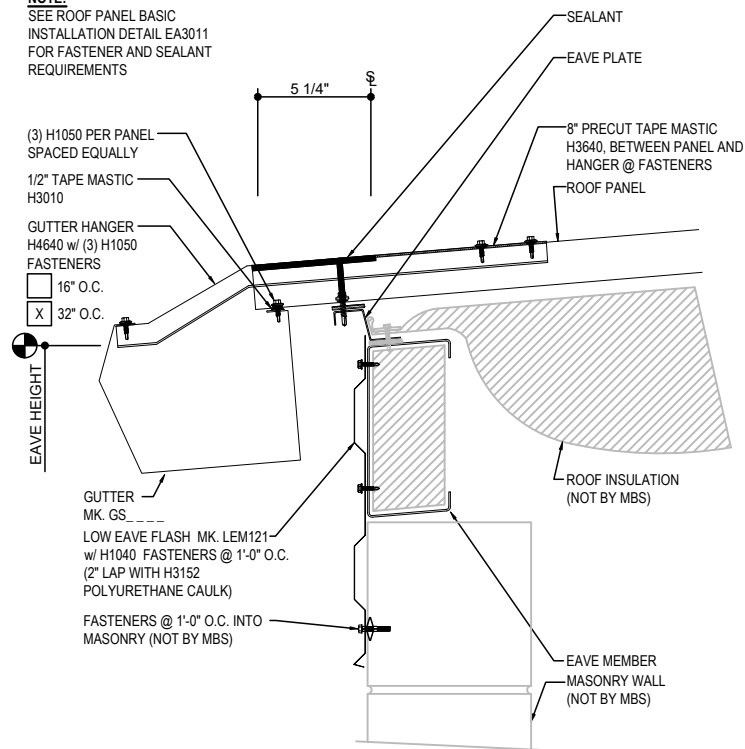
GUTTER LAP & END CAP

APPLY BEAD OF POLYURETHANE CAULK 1" FROM END OF TRIM AND LAP SECTIONS 2" AND FASTEN AS SHOWN. TO TERMINATE THE GUTTER APPLY POLYURETHANE CAULK TO THREE SIDES OF END CAP AND TOP RETURN AREA AS SHOWN AND INSERT INTO THE GUTTER LEAVING 1/2" EXPOSED. ATTACH WITH RIVETS SAME AS END LAP.



NOTE 1: PANEL RIB MUST BE HAND CRIMPED 90° (NOT 360°) PRIOR TO INSTALLING GUTTER BRACKET!

NOTE:
SEE ROOF PANEL BASIC
INSTALLATION DETAIL EA3011
FOR FASTENER AND SEALANT
REQUIREMENTS



ON-SLOPE GUTTER DETAIL

EAVE GUTTER DETAIL w/ MASONRY WALL

ED3040

Detailer Notes:

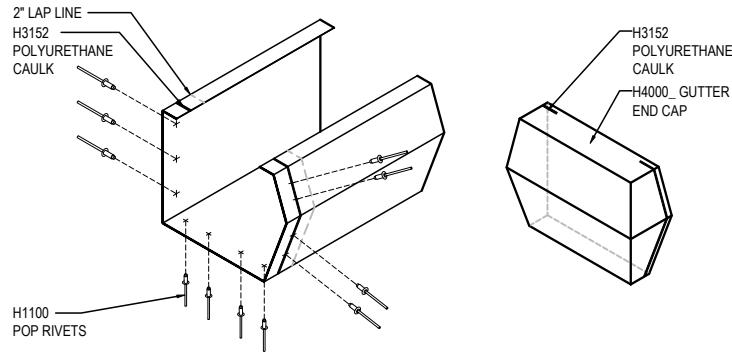
- 1) N/A

ED3050 - ON-SLOPE GUTTER w/ SUPPORTING MASONRY WALL

[Download the DWG file by clicking here.](#)

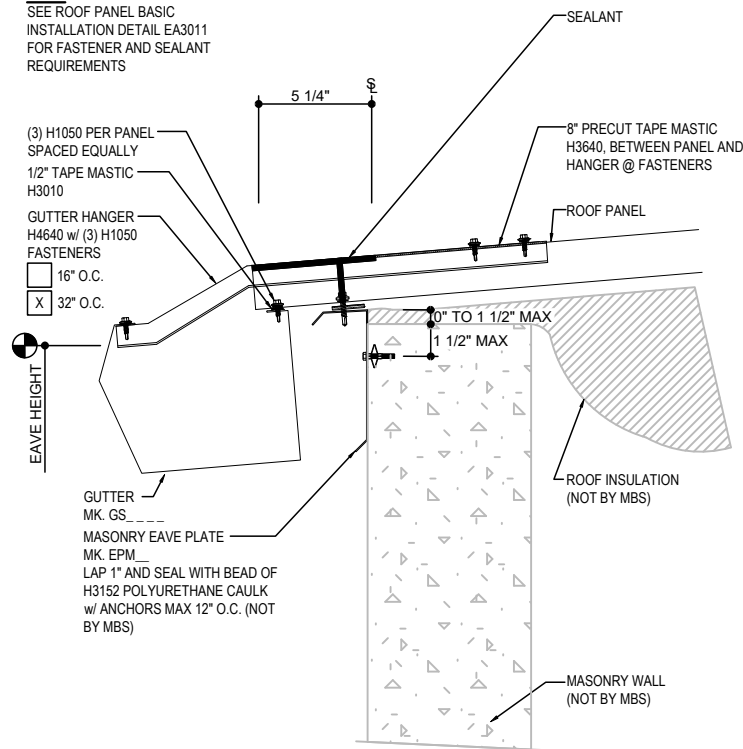
GUTTER LAP & END CAP

APPLY BEAD OF POLYURETHANE CAULK 1" FROM END OF TRIM AND LAP SECTIONS 2" AND FASTEN AS SHOWN. TO TERMINATE THE GUTTER APPLY POLYURETHANE CAULK TO THREE SIDES OF END CAP AND TOP RETURN AREA AS SHOWN AND INSERT INTO THE GUTTER LEAVING 1/2" EXPOSED. ATTACH WITH RIVETS SAME AS END LAP.



NOTE 1: PANEL RIB MUST BE HAND CRIMPED 90° (NOT 360°) PRIOR TO INSTALLING GUTTER BRACKET!

NOTE:
SEE ROOF PANEL BASIC
INSTALLATION DETAIL EA3011
FOR FASTENER AND SEALANT
REQUIREMENTS



ON-SLOPE GUTTER DETAIL

EAVE GUTTER DETAIL w/ SUPPORTING MASONRY WALL

ED3050

Detailer Notes:

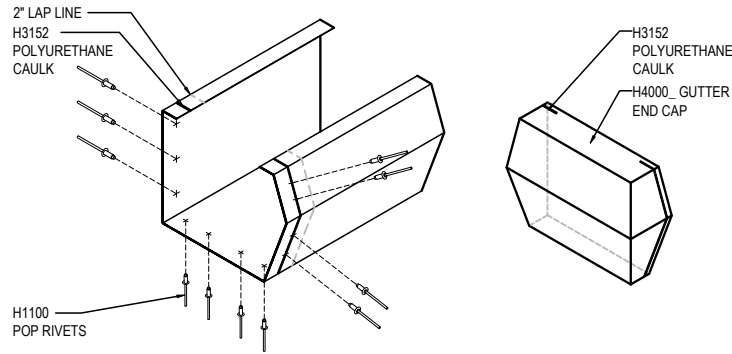
- 1) N/A

ED3070 - ON-SLOPE GUTTER w/ NO WALL PANEL

[Download the DWG file by clicking here.](#)

GUTTER LAP & END CAP

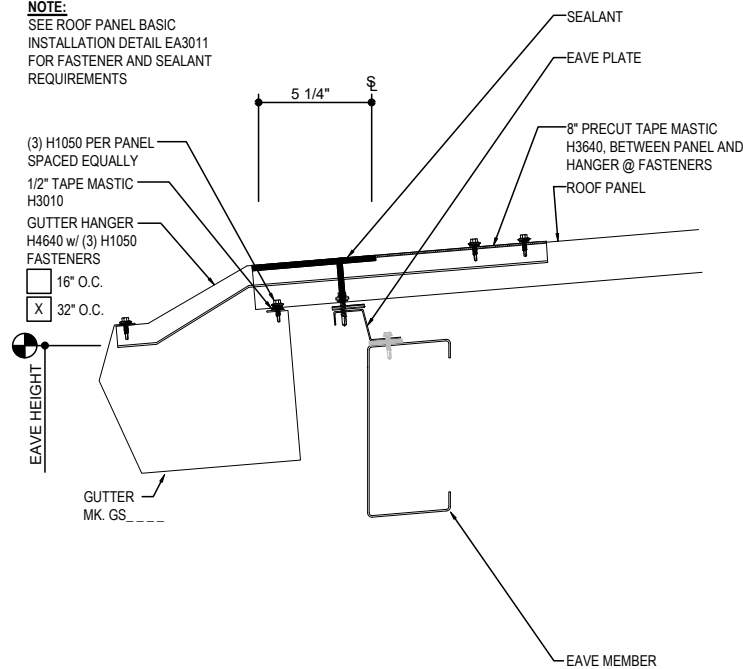
APPLY BEAD OF POLYURETHANE CAULK 1" FROM END OF TRIM AND LAP SECTIONS 2" AND FASTEN AS SHOWN. TO TERMINATE THE GUTTER APPLY POLYURETHANE CAULK TO THREE SIDES OF END CAP AND TOP RETURN AREA AS SHOWN AND INSERT INTO THE GUTTER LEAVING 1/2" EXPOSED. ATTACH WITH RIVETS SAME AS END LAP.



**NOTE 1: PANEL RIB MUST BE HAND CRIMPED 90°
(NOT 360°) PRIOR TO INSTALLING GUTTER BRACKET!**

NOTE:

SEE ROOF PANEL BASIC
INSTALLATION DETAIL EA3011
FOR FASTENER AND SEALANT
REQUIREMENTS



ON-SLOPE GUTTER DETAIL

EAVE GUTTER DETAIL w/ NO WALL PANEL

ED3070

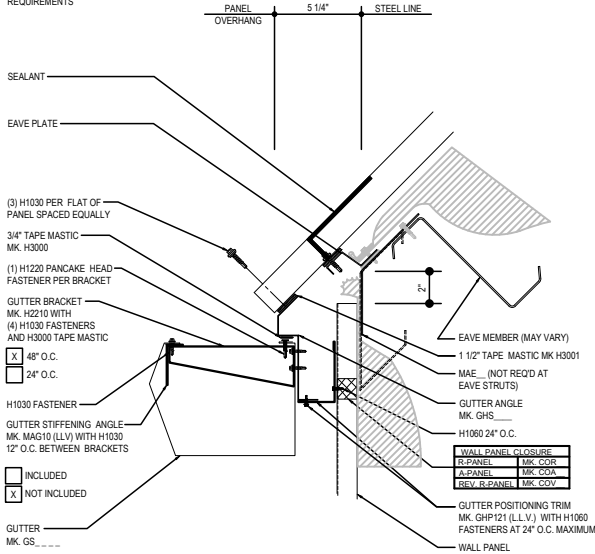
Detailer Notes:

- 1) N/A

ED3310 - HORIZONTAL GUTTER w/ WALL PANEL

Download the DWG file by clicking here.

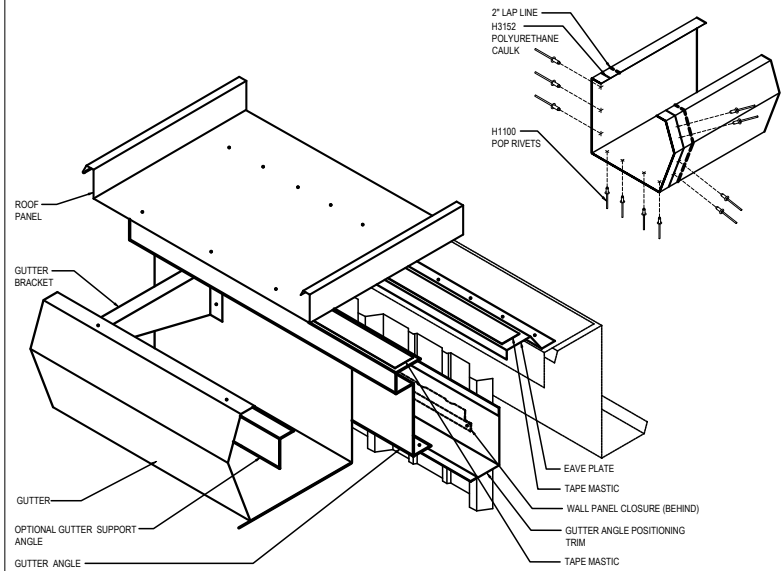
NOTE:
SEE ROOF PANEL BASIC
INSTALLATION DETAIL EA3011
FOR FASTENER AND SEALANT
REQUIREMENTS



NOTE: FASTENERS ARE PROVIDED IN COLORS TO MATCH THE INDIVIDUAL COMPONENTS. THE (4) GUTTER BRACKET TO GUTTER ANGLE FASTENERS ARE ROOF LINE TRIM COLOR.

GUTTER LAP & END CAP

APPLY BEAD OF POLYURETHANE CAULK 1\"/>



HORIZONTAL GUTTER - Loc Seam ROOF

WALL PANEL AT SCULPTURED RAKE

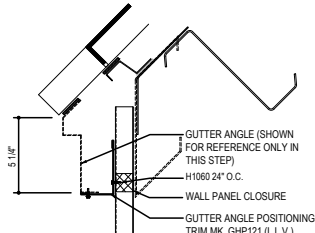
ISOMETRIC VIEW OF HORIZONTAL GUTTER SYSTEM

EAVE ANGLE & EAVE ZEE SHOWN FOR REFERENCE ONLY. ACTUAL EAVE MEMBER MAY VARY

NOTE: THE BEGINNING OF THIS ASSEMBLY PROCESS ASSUMES THE ROOF PANEL & WALL PANEL ARE COMPLETELY INSTALLED

THE PURPOSE OF THE POSITIONING TRIM IS TO ALLOW ADJUSTMENT OF THE GUTTER ANGLE SO THAT IT CAN BE ALIGNED PLUMB. IT ALSO PROVIDES ADJUSTMENT IN THE EVENT THE WALL IS NOT STRAIGHT AND IT ALSO HIDES ANY UNPAINTED MATERIALS.

IT IS RECOMMENDED TO HOLD THE GHP121 1\"/>



STEP 1

MEASURE DOWN 5 1/4\"/>

NOTE: THE ALIGNMENT OF THE GUTTER ANGLE IS CRITICAL TO THE FINAL APPEARANCE AND STRAIGHTNESS OF THE HORIZONTAL GUTTER SYSTEM.

READ STEP 3 \"OPTIONAL INSTALLATION\" NOTES BEFORE PROCEEDING WITH STEP 2.

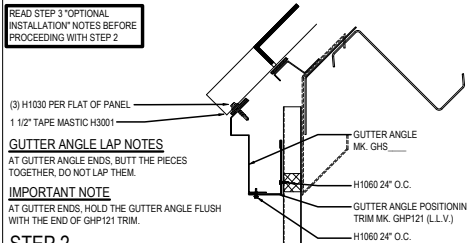
GUTTER ANGLE LAP NOTES
AT GUTTER ANGLE ENDS, BUTT THE PIECES TOGETHER, DO NOT LAP THEM.

IMPORTANT NOTE

AT GUTTER ENDS, HOLD THE GUTTER ANGLE FLUSH WITH THE END OF GHP121 TRIM.

STEP 2

APPLY TAPE MASTIC TO THE GUTTER ANGLE AS SHOWN. ALIGN & CLAMP THE GUTTER ANGLE TO THE ROOF PANEL. FASTEN THE GUTTER ANGLE TO THE ROOF PANEL. PLUMB THE GUTTER ANGLE AND FASTEN THE GHP121 TO THE GUTTER ANGLE.

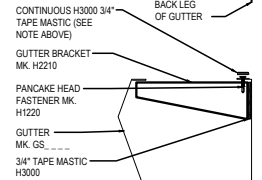


NOTE: THIS STEP CAN BE COMPLETED ON THE GROUND. ALSO, HOLD THE BRACKET AT END PIECE OF GUTTER APPROXIMATELY 1\"/>

OPTIONAL INSTALLATION

IF DESIRED, STEPS 2 AND 3 CAN BE COMBINED AND DONE ON THE GROUND. IF THAT IS DONE, THE PANCAKE HEAD FASTENER WOULD NOT BE REQUIRED. INSTEAD, ATTACH THE (4) H1030 FASTENERS IN THE BACK OF THE GUTTER BRACKET, THROUGH THE GUTTER ANGLE. THIS ASSEMBLY CAN THEN BE LIFTED IN PLACE AS A SINGLE UNIT. THIS PROCEDURE IS MERELY OPTIONAL AND NOT RECOMMENDED FOR LONG BUILDINGS.

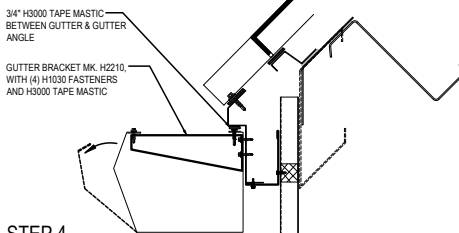
H3000 TAPE MASTIC CAN BE PLACED IN EITHER LOCATION SHOWN HERE



STEP 3

MARK THE LOCATIONS OF THE GUTTER BRACKETS BASED ON THE SPACING SHOWN ABOVE LEFT. APPLY TAPE MASTIC TO THE VERTICAL BACK LEGS OF THE BRACKETS. INSTALL AN H1220 FASTENER AT THE BACK LIP OF THE GUTTER ONLY AT THIS TIME. APPLY TAPE MASTIC ALONG THE FULL LENGTH OF THE TOP OF THE BACK LIP OF THE GUTTER AS SHOWN.

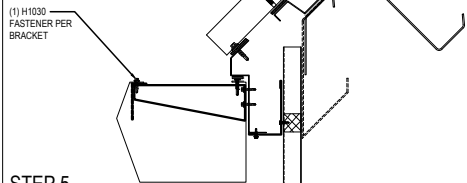
NOTE: BE SURE TO COMPRESS THE MASTIC ALONG THE TOP BACK LIP OF THE GUTTER INTO THE GUTTER ANGLE TO PREVENT WATER FROM WICKING BACK BEHIND THE GUTTER.



STEP 4

LIFT THE GUTTER IN PLACE, TEMPORARILY CLAMPING IT TO THE GUTTER ANGLE. PULL THE FRONT FACE OF THE GUTTER FORWARD TO ALLOW ACCESS TO INSTALL THE (4) FASTENERS THROUGH THE BACK OF THE BRACKET & GUTTER, INTO THE GUTTER ANGLE. DO NOT YET INSTALL THE FASTENER AT THE OUTER LIP OF THE GUTTER.

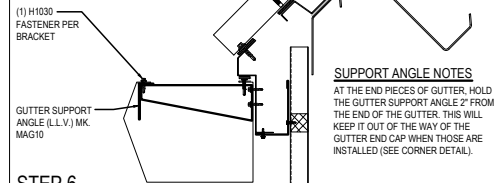
NOTE: IF THE OPTIONAL GUTTER SUPPORT ANGLE IS REQUIRED IN THE DETAIL, SKIP TO STEP 6. IF IT IS NOT REQUIRED, CONTINUE WITH STEP 5. REFER TO THE DETAIL AT TOP LEFT TO DETERMINE WHETHER OR NOT IT IS REQUIRED.



STEP 5

AFTER THE (4) FASTENERS ARE INSTALLED THROUGH THE GUTTER BRACKETS & INTO THE GUTTER ANGLE, ALONG THE ENTIRE LENGTH OF A SECTION OF GUTTER, THE FASTENER AT THE FRONT LIP OF THE GUTTER CAN BE INSTALLED. CLAMPING THE BRACKET TO THE GUTTER FACILITATES EASIER INSTALLATION.

NOTE: IF THE OPTIONAL GUTTER SUPPORT ANGLE IS REQUIRED, IT CAN BE INSTALLED AT THIS TIME. THE FASTENER AT THE FRONT LIP OF THE GUTTER WILL GO THROUGH THE GUTTER, GUTTER SUPPORT ANGLE, AND THE GUTTER BRACKET.



STEP 6

AFTER THE (4) FASTENERS ARE INSTALLED THROUGH THE GUTTER BRACKETS & INTO THE GUTTER ANGLE, ALONG THE ENTIRE LENGTH OF A SECTION OF GUTTER, THE FASTENER AT THE FRONT LIP OF THE GUTTER CAN BE INSTALLED. CLAMPING THE BRACKET & GUTTER SUPPORT ANGLE BRACKET TO THE GUTTER FACILITATES EASIER INSTALLATION.

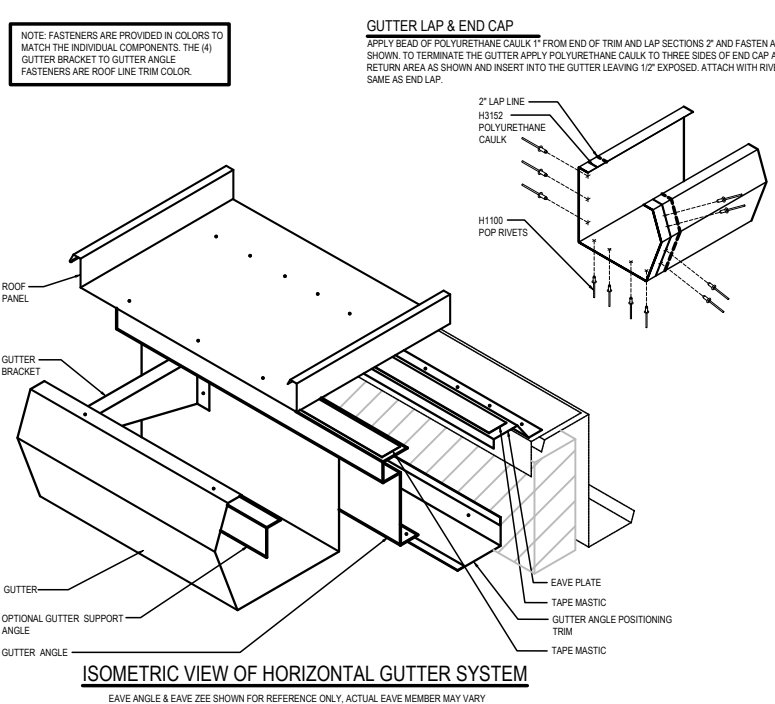
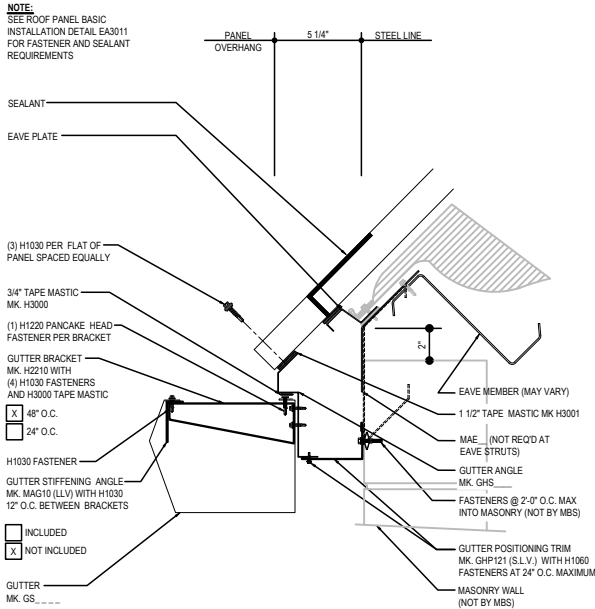
ED3310

Detailer Notes:

1) CLOSURES LOW EAVE LAYER DEFAULT IS ON. LAYER MUST BE TURNED OFF IF CLOSURES ARE NOT REQUIRED.

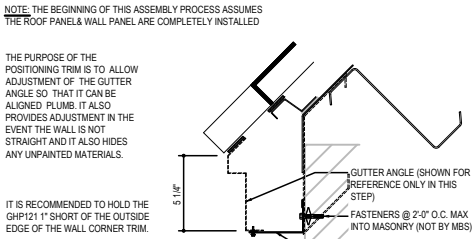
ED3410 - HORIZONTAL GUTTER w/ MASONRY WALL

Download the DWG file by clicking [here](#).



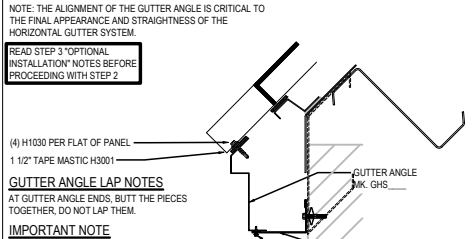
HORIZONTAL GUTTER - Loc Seam ROOF

HORIZONTAL GUTTER AT MASONRY WALL



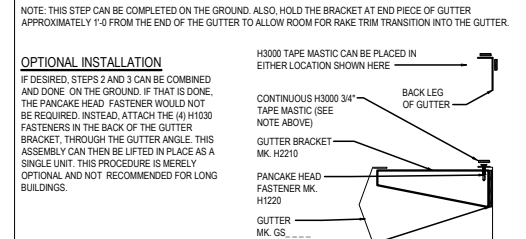
STEP 1

MEASURE DOWN 5 1/4" FROM THE BOTTOM OF ROOF PANEL & MARK THE WALL. INSTALL THE GHP121 AT THIS LOCATION. LEAVE A 1/8" TO 1/4" GAP AT GHP121 ENDS. DO NOT LAP THEM.



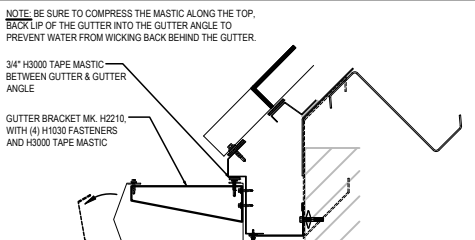
STEP 2

APPLY TAPE MASTIC TO THE GUTTER ANGLE AS SHOWN. ALIGN & CLAMP THE GUTTER ANGLE TO THE ROOF PANEL. FASTEN THE GUTTER ANGLE TO THE ROOF PANEL. PLUMB THE GUTTER ANGLE AND FASTEN THE GHP121 TO THE GUTTER ANGLE.



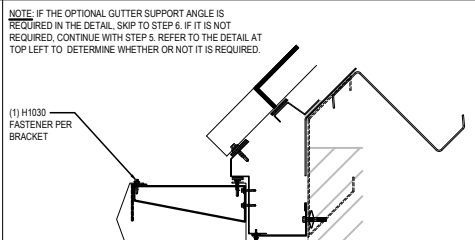
STEP 3

MARK THE LOCATIONS OF THE GUTTER BRACKETS BASED ON THE SPACING SHOWN ABOVE LEFT. APPLY TAPE MASTIC TO THE VERTICAL BACK LEGS OF THE BRACKETS. INSTALL AN H1220 FASTENER AT THE BACK LIP OF THE GUTTER ONLY AT THIS TIME. APPLY TAPE MASTIC ALONG THE FULL LENGTH OF THE TOP OF THE BACK LIP OF THE GUTTER AS SHOWN.



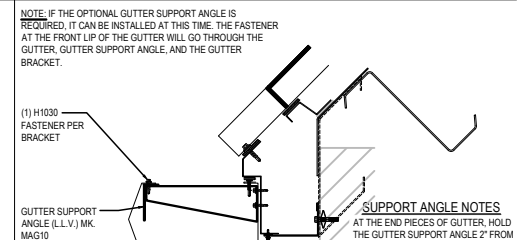
STEP 4

LIFT THE GUTTER IN PLACE, TEMPORARILY CLAMPING IT TO THE GUTTER ANGLE. PULL THE FRONT FACE OF THE GUTTER FORWARD TO ALLOW ACCESS TO INSTALL THE (4) FASTENERS THROUGH THE BACK OF THE BRACKET & GUTTER, INTO THE GUTTER ANGLE. DO NOT YET INSTALL THE FASTENER AT THE OUTER LIP OF THE GUTTER.



STEP 5

AFTER THE (4) FASTENERS ARE INSTALLED THROUGH THE GUTTER BRACKETS & INTO THE GUTTER ANGLE, ALONG THE ENTIRE LENGTH OF A SECTION OF GUTTER, THE FASTENER AT THE FRONT LIP OF THE GUTTER CAN BE INSTALLED. CLAMPING THE BRACKET TO THE GUTTER FACILITATES EASIER INSTALLATION.



STEP 6

AFTER THE (4) FASTENERS ARE INSTALLED THROUGH THE GUTTER BRACKETS & INTO THE GUTTER ANGLE, ALONG THE ENTIRE LENGTH OF A SECTION OF GUTTER, THE FASTENER AT THE FRONT LIP OF THE GUTTER CAN BE INSTALLED. CLAMPING THE BRACKET & GUTTER SUPPORT ANGLE BRACKET TO THE GUTTER FACILITATES EASIER INSTALLATION.

ED3410

Detailer Notes:

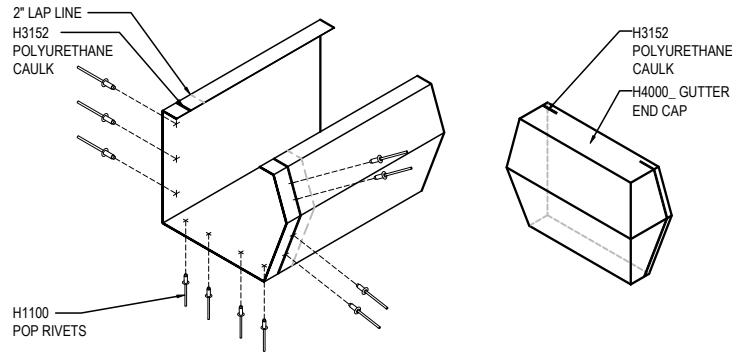
1) CLOSURES LOW EAVE LAYER DEFAULT IS ON. LAYER MUST BE TURNED OFF IF CLOSURES ARE NOT REQUIRED.

ED3610 - ON-SLOPE GUTTER w/ INSULATED WALL PANEL

[Download the DWG file by clicking here.](#)

GUTTER LAP & END CAP

APPLY BEAD OF POLYURETHANE CAULK 1" FROM END OF TRIM AND LAP SECTIONS 2" AND FASTEN AS SHOWN. TO TERMINATE THE GUTTER APPLY POLYURETHANE CAULK TO THREE SIDES OF END CAP AND TOP RETURN AREA AS SHOWN AND INSERT INTO THE GUTTER LEAVING 1/2" EXPOSED. ATTACH WITH RIVETS SAME AS END LAP.



NOTE 1: PANEL RIB MUST BE HAND CRIMPED 90° (NOT 360°) PRIOR TO INSTALLING GUTTER BRACKET!

OVERHANG DIMENSION		
** THICKNESS	* OVERHANG	LBI_121
2"	6"	LBI/20121
2 1/2"	6 1/2"	LBI/25121
3"	7"	LBI/30121
4"	8"	LBI/40121

NOTE:

SEE ROOF PANEL BASIC INSTALLATION DETAIL EA3011 FOR FASTENER AND SEALANT REQUIREMENTS

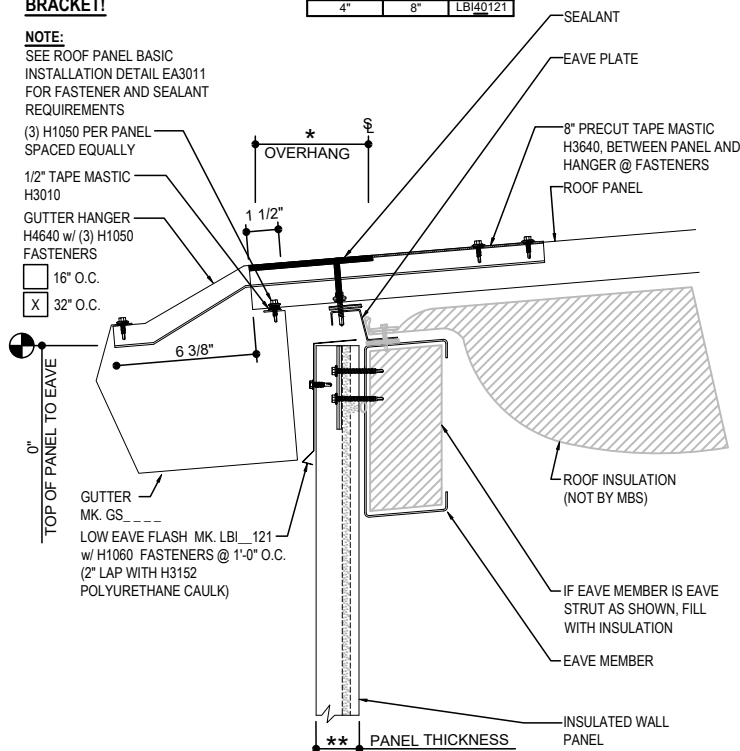
(3) H1050 PER PANEL SPACED EQUALLY

1/2" TAPE MASTIC H3010

GUTTER HANGER H4640 w/ (3) H1050 FASTENERS

16" O.C.

X 32" O.C.



ON-SLOPE GUTTER DETAIL

EAVE GUTTER DETAIL w/ INSULATED WALL PANELS
SEE INSULATED WALL SHEETING ERECTION DETAILS FOR INSTALLATION INSTRUCTIONS.

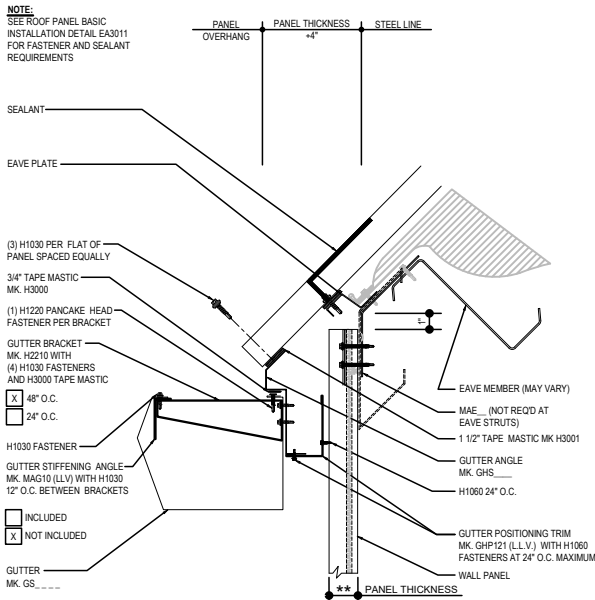
ED3610

Detailer Notes:

- 1) N/A

ED3620 - HORIZONTAL GUTTER w/ INSULATED WALL PANEL

Download the DWG file by clicking [here](#).



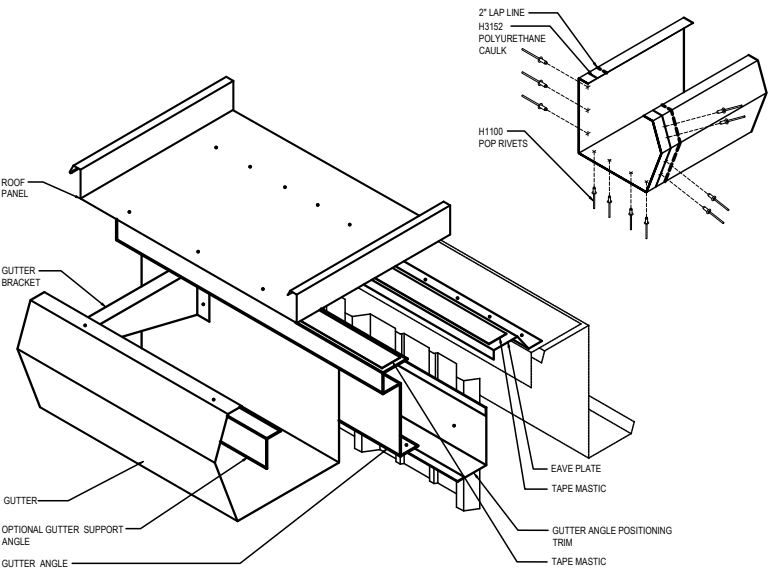
HORIZONTAL GUTTER - Loc Seam ROOF

WALL PANEL AT SCULPTURED RAKE

NOTE: FASTENERS ARE PROVIDED IN COLORS TO MATCH THE INDIVIDUAL COMPONENTS. THE (4) GUTTER BRACKET TO GUTTER ANGLE FASTENERS ARE ROOF LINE TRIM COLOR.

GUTTER LAP & END CAP

APPLY BEAD OF POLYURETHANE CAULK 1\"/>



ISOMETRIC VIEW OF HORIZONTAL GUTTER SYSTEM

EAVE ANGLE & EAVE ZEE SHOWN FOR REFERENCE ONLY. ACTUAL EAVE MEMBER MAY VARY

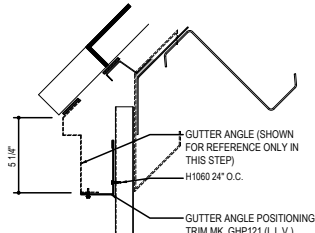
NOTE: THE BEGINNING OF THIS ASSEMBLY PROCESS ASSUMES THE ROOF PANEL & WALL PANEL ARE COMPLETELY INSTALLED

THE PURPOSE OF THE POSITIONING TRIM IS TO ALLOW ADJUSTMENT OF THE GUTTER ANGLE SO THAT IT CAN BE ALIGNED PLUMB. IT ALSO PROVIDES ADJUSTMENT IN THE EVENT THE WALL IS NOT STRAIGHT AND IT ALSO HIDES ANY UNPAINTED MATERIALS.

IT IS RECOMMENDED TO HOLD THE GPT10 1\"/>

STEP 1

MEASURE DOWN 5 1/4\"/>



NOTE: THE ALIGNMENT OF THE GUTTER ANGLE IS CRITICAL TO THE FINAL APPEARANCE AND STRAIGHTNESS OF THE HORIZONTAL GUTTER SYSTEM.

READ STEP 3 \"/>

(4) H1030 PER FLAT OF PANEL

GUTTER ANGLE LAP NOTES

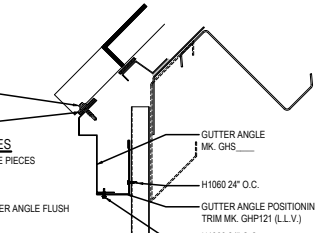
AT GUTTER ANGLE ENDS, BUTT THE PIECES TOGETHER, DO NOT LAP THEM.

IMPORTANT NOTE

AT GUTTER ENDS, HOLD THE GUTTER ANGLE FLUSH WITH THE END OF GHP121 TRIM.

STEP 2

APPLY TAPE MASTIC TO THE GUTTER ANGLE AS SHOWN. ALIGN & CLAMP THE GUTTER ANGLE TO THE ROOF PANEL. FASTEN THE GUTTER ANGLE TO THE ROOF PANEL. PLUMB THE GUTTER ANGLE AND FASTEN THE GHP121 TO THE GUTTER ANGLE.

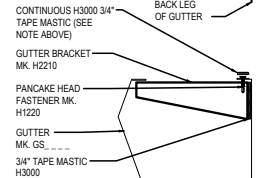


NOTE: THIS STEP CAN BE COMPLETED ON THE GROUND. ALSO, HOLD THE BRACKET AT END PIECE OF GUTTER APPROXIMATELY 1\"/>

OPTIONAL INSTALLATION

IF DESIRED, STEPS 2 AND 3 CAN BE COMBINED AND DONE ON THE GROUND. IF THAT IS DONE, THE PANCAKE HEAD FASTENER WOULD NOT BE REQUIRED. INSTEAD, ATTACH THE (4) H1030 FASTENERS IN THE BACK OF THE GUTTER BRACKET, THROUGH THE GUTTER ANGLE. THIS ASSEMBLY CAN THEN BE LIFTED IN PLACE AS A SINGLE UNIT. THIS PROCEDURE IS MERELY OPTIONAL AND NOT RECOMMENDED FOR LONG BUILDINGS.

H3000 TAPE MASTIC CAN BE PLACED IN EITHER LOCATION SHOWN HERE



STEP 3

MARK THE LOCATIONS OF THE GUTTER BRACKETS BASED ON THE SPACING SHOWN ABOVE LEFT. APPLY TAPE MASTIC TO THE VERTICAL BACK LEGS OF THE BRACKETS. INSTALL AN H1220 FASTENER AT THE BACK LIP OF THE GUTTER ONLY AT THIS TIME. APPLY TAPE MASTIC ALONG THE FULL LENGTH OF THE TOP OF THE BACK LIP OF THE GUTTER AS SHOWN.

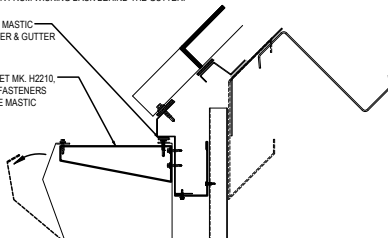
NOTE: BE SURE TO COMPRESS THE MASTIC ALONG THE TOP BACK LIP OF THE GUTTER INTO THE GUTTER ANGLE TO PREVENT WATER FROM WICKING BACK BEHIND THE GUTTER.

3/4\"/>

GUTTER BRACKET MK. H2210, WITH (4) H1030 FASTENERS AND H3000 TAPE MASTIC

STEP 4

LIFT THE GUTTER IN PLACE, TEMPORARILY CLAMPING IT TO THE GUTTER ANGLE. PULL THE FRONT FACE OF THE GUTTER FORWARD TO ALLOW ACCESS TO INSTALL THE (4) FASTENERS THROUGH THE BACK OF THE BRACKET & GUTTER, INTO THE GUTTER ANGLE. DO NOT YET INSTALL THE FASTENER AT THE OUTER LIP OF THE GUTTER.

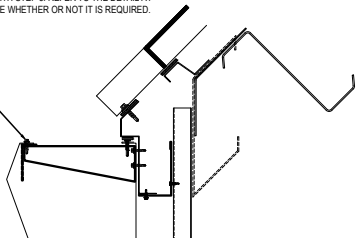


NOTE: IF THE OPTIONAL GUTTER SUPPORT ANGLE IS REQUIRED IN THE DETAIL, SKIP TO STEP 6. IF IT IS NOT REQUIRED, CONTINUE WITH STEP 5. REFER TO THE DETAIL AT TOP LEFT TO DETERMINE WHETHER OR NOT IT IS REQUIRED.

(1) H1030 FASTENER PER BRACKET

STEP 5

AFTER THE (4) FASTENERS ARE INSTALLED THROUGH THE GUTTER BRACKETS & INTO THE GUTTER ANGLE, ALONG THE ENTIRE LENGTH OF A SECTION OF GUTTER, THE FASTENER AT THE FRONT LIP OF THE GUTTER CAN BE INSTALLED. CLAMPING THE BRACKET TO THE GUTTER FACILITATES EASIER INSTALLATION.



NOTE: IF THE OPTIONAL GUTTER SUPPORT ANGLE IS REQUIRED, IT CAN BE INSTALLED AT THIS TIME. THE FASTENER AT THE FRONT LIP OF THE GUTTER WILL GO THROUGH THE GUTTER, GUTTER SUPPORT ANGLE, AND THE GUTTER BRACKET.

(1) H1030 FASTENER PER BRACKET

STEP 6

AFTER THE (4) FASTENERS ARE INSTALLED THROUGH THE GUTTER BRACKETS & INTO THE GUTTER ANGLE, ALONG THE ENTIRE LENGTH OF A SECTION OF GUTTER, THE FASTENER AT THE FRONT LIP OF THE GUTTER CAN BE INSTALLED. CLAMPING THE BRACKET & GUTTER SUPPORT ANGLE BRACKET TO THE GUTTER FACILITATES EASIER INSTALLATION.

SUPPORT ANGLE NOTES
AT THE END PIECES OF GUTTER, HOLD THE GUTTER SUPPORT ANGLE 2\"/>

ED3620

Detailer Notes:

1) CLOSURES LOW EAVE LAYER DEFAULT IS ON. LAYER MUST BE TURNED OFF IF CLOSURES ARE NOT REQUIRED.