

LOW EAVE (GUTTER)

ED6010 - ON-SLOPE GUTTER - WALL PANEL

ED6040 - ON-SLOPE GUTTER - MASONRY WALL

ED6050 - ON-SLOPE GUTTER - SUPPORTING MASONRY WALL

ED6070 - ON-SLOPE GUTTER - NO WALL PANEL

ED6310 - HORIZONTAL GUTTER - WALL PANEL

ED6410 - HORIZONTAL GUTTER - MASONRY WALL

ED6610 - ON-SLOPE GUTTER - INSULATED WALL PANEL

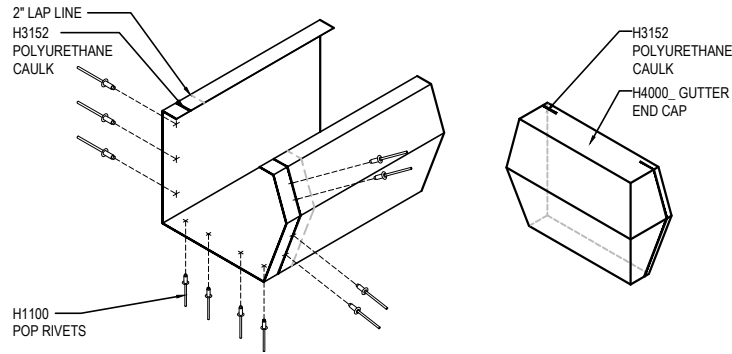
ED6620 - HORIZONTAL GUTTER - INSULATED WALL PANEL

ED6010 - ON-SLOPE GUTTER w/ WALL PANEL

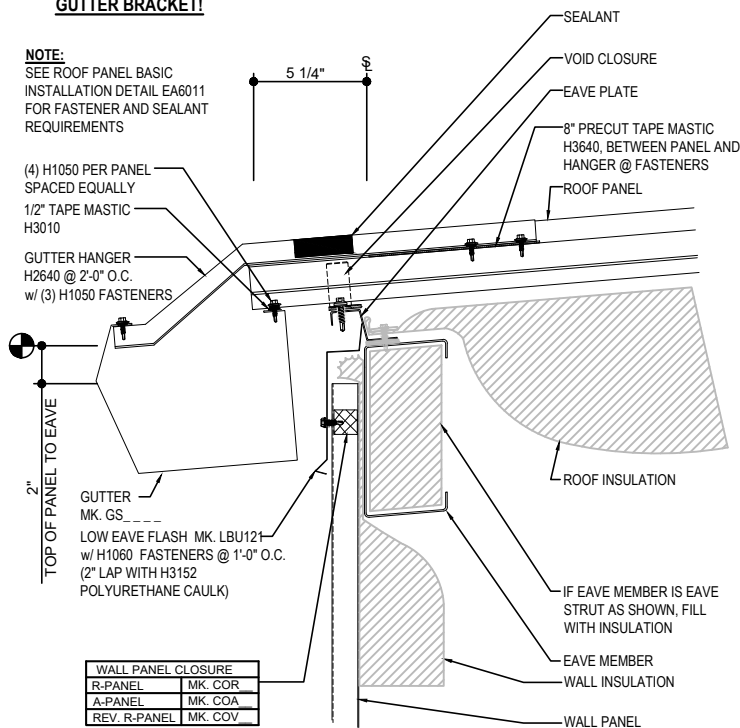
[Download the DWG file by clicking here.](#)

GUTTER LAP & END CAP

APPLY BEAD OF POLYURETHANE CAULK 1" FROM END OF TRIM AND LAP SECTIONS 2" AND FASTEN AS SHOWN. TO TERMINATE THE GUTTER APPLY POLYURETHANE CAULK TO THREE SIDES OF END CAP AND TOP RETURN AREA AS SHOWN AND INSERT 1/2" INTO END OF GUTTER. ATTACH WITH RIVETS SAME AS END LAP.



NOTE 1: PANEL RIB MUST BE SEAMED PRIOR TO INSTALLING GUTTER BRACKET!



ON-SLOPE GUTTER DETAIL

EAVE GUTTER DETAIL w/ WALL PANELS
SEE WALL SHEETING ERECTION NOTES FOR WALL PANEL FASTENER LOCATIONS

ED6010

Detailer Notes:

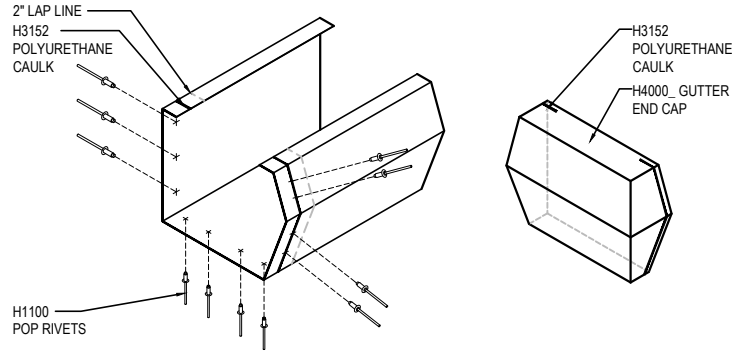
- 1) CLOSURES LOW EAVE LAYER DEFAULT IS ON. LAYER MUST BE TURNED OFF IF CLOSURES ARE NOT REQUIRED.
- 2) THIS STANDARD DETAIL IS APPROVED FOR MIAMI-DADE USE. ALTERATIONS TO THIS DETAIL MAY IMPACT APPROVAL.

ED6040 - ON-SLOPE GUTTER w/ MASONRY WALL

[Download the DWG file by clicking here.](#)

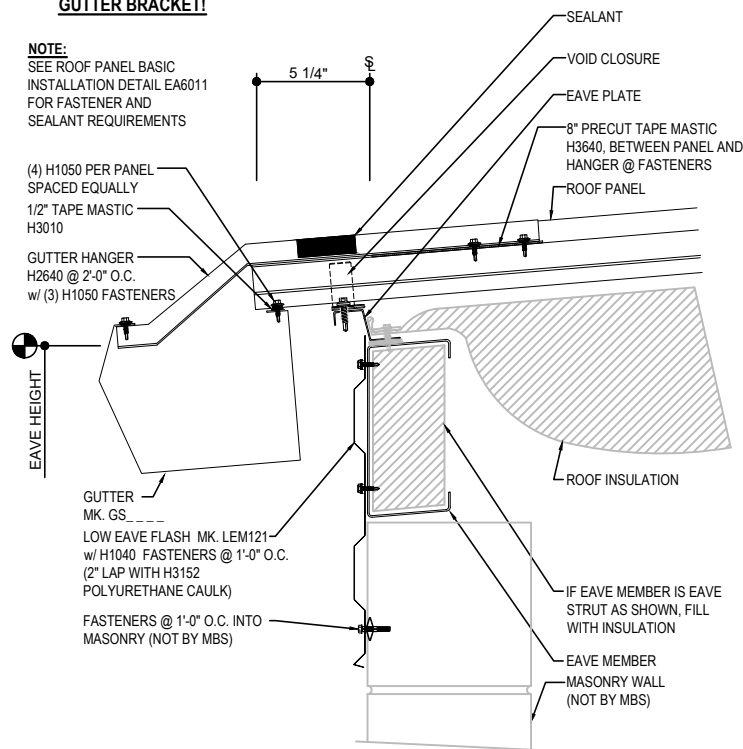
GUTTER LAP & END CAP

APPLY BEAD OF POLYURETHANE CAULK 1" FROM END OF TRIM AND LAP SECTIONS 2" AND FASTEN AS SHOWN. TO TERMINATE THE GUTTER APPLY POLYURETHANE CAULK TO THREE SIDES OF END CAP AND TOP RETURN AREA AS SHOWN AND INSERT 1/2" INTO THE GUTTER. ATTACH WITH RIVETS SAME AS END LAP.



NOTE 1: PANEL RIB MUST BE SEAMED PRIOR TO INSTALLING GUTTER BRACKET!

NOTE:
SEE ROOF PANEL BASIC INSTALLATION DETAIL EA6011 FOR FASTENER AND SEALANT REQUIREMENTS



ON-SLOPE GUTTER DETAIL

EAVE GUTTER DETAIL w/ MASONRY WALL

ED6040

Detailer Notes:

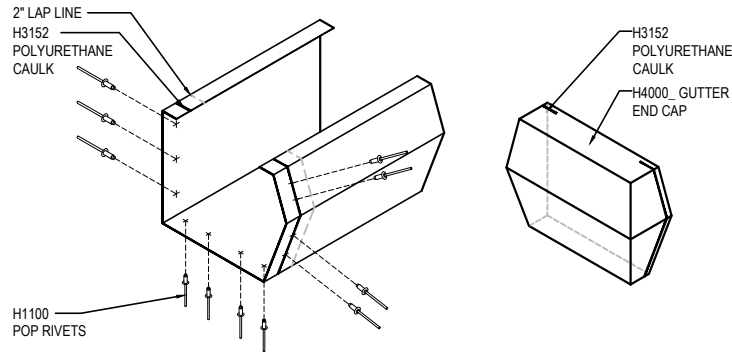
- 1) N/A

ED6050 - ON-SLOPE GUTTER w/ SUPPORTING MASONRY WALL

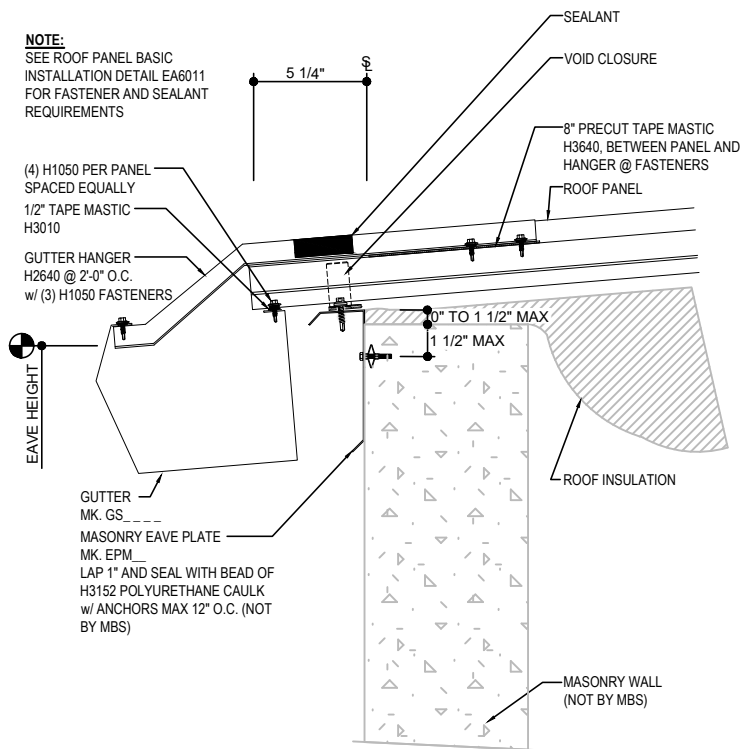
[Download the DWG file by clicking here.](#)

GUTTER LAP & END CAP

APPLY BEAD OF POLYURETHANE CAULK 1" FROM END OF TRIM AND LAP SECTIONS 2" AND FASTEN AS SHOWN. TO TERMINATE THE GUTTER APPLY POLYURETHANE CAULK TO THREE SIDES OF END CAP AND TOP RETURN AREA AS SHOWN AND INSERT 1/2" INTO THE GUTTER. ATTACH WITH RIVETS SAME AS END LAP.



NOTE 1: PANEL RIB MUST BE SEAMED PRIOR TO INSTALLING GUTTER BRACKET!



ON-SLOPE GUTTER DETAIL

EAVE GUTTER DETAIL w/ SUPPORTING MASONRY WALL

ED6050

Detailer Notes:

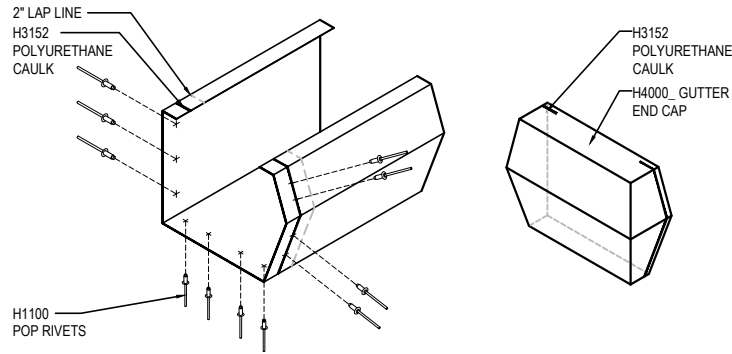
- 1) N/A

ED6070 - ON-SLOPE GUTTER w/ NO WALL PANEL

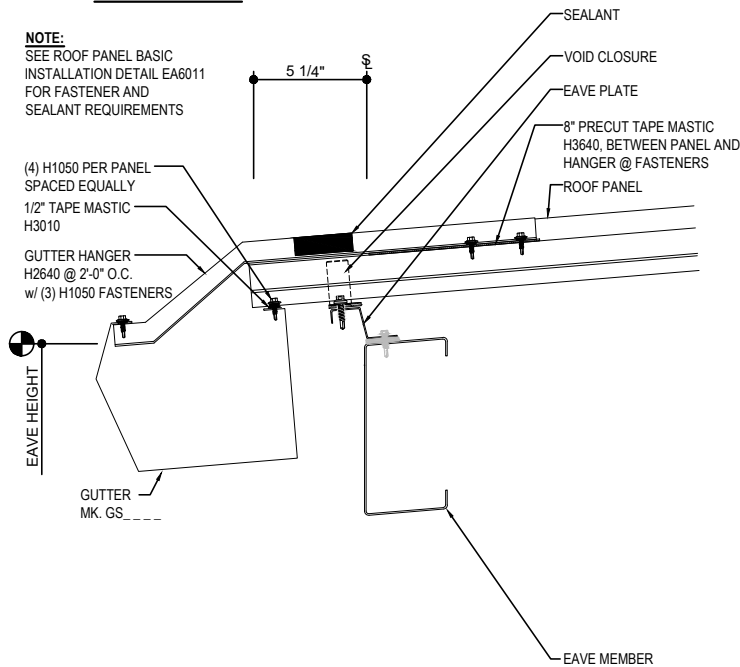
[Download the DWG file by clicking here.](#)

GUTTER LAP & END CAP

APPLY BEAD OF POLYURETHANE CAULK 1" FROM END OF TRIM AND LAP SECTIONS 2" AND FASTEN AS SHOWN. TO TERMINATE THE GUTTER APPLY POLYURETHANE CAULK TO THREE SIDES OF END CAP AND TOP RETURN AREA AS SHOWN AND INSERT 1/2" INTO THE GUTTER. ATTACH WITH RIVETS SAME AS END LAP.



NOTE 1: PANEL RIB MUST BE SEAMED PRIOR TO INSTALLING GUTTER BRACKET!



ON-SLOPE GUTTER DETAIL

EAVE GUTTER DETAIL w/ NO WALL PANEL

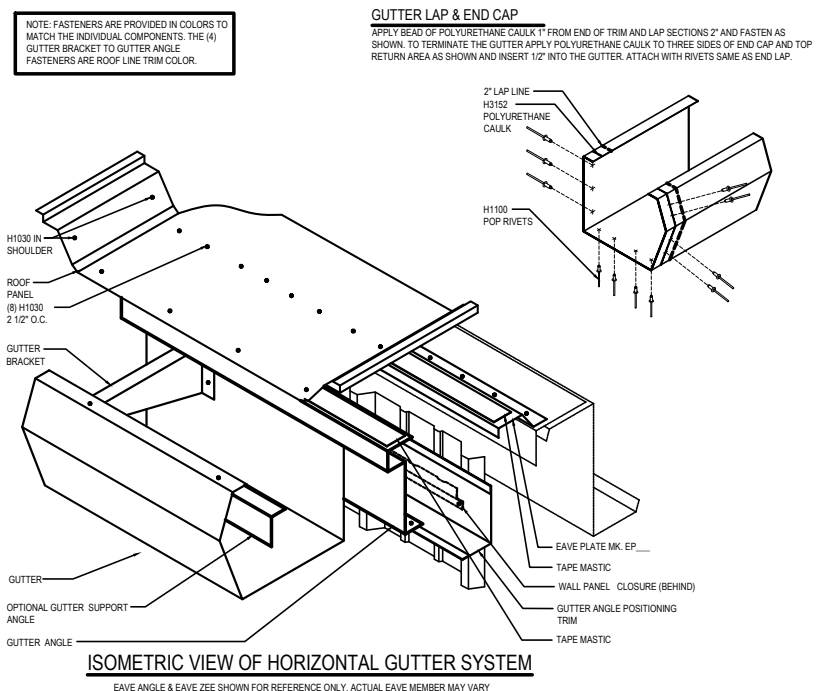
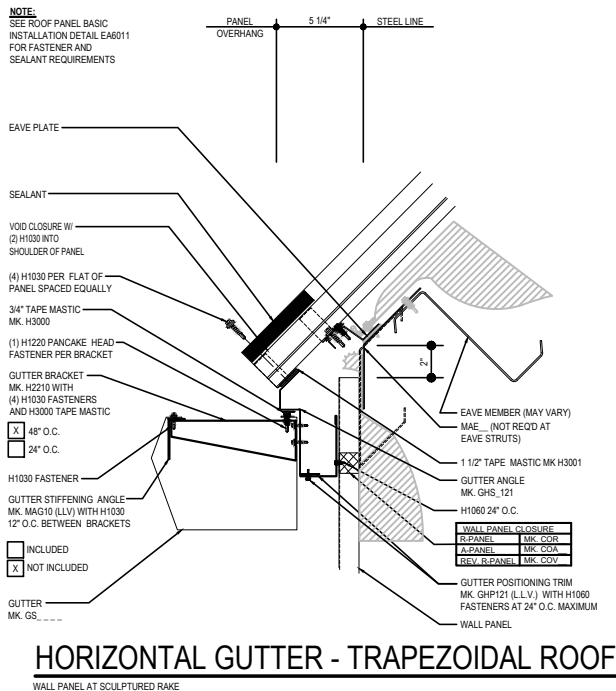
ED6070

Detailer Notes:

- 1) N/A

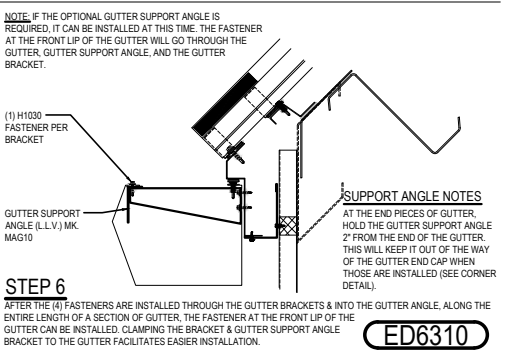
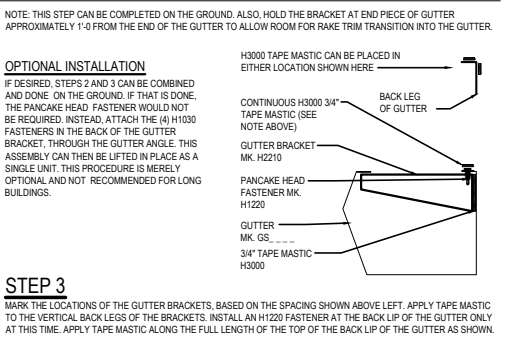
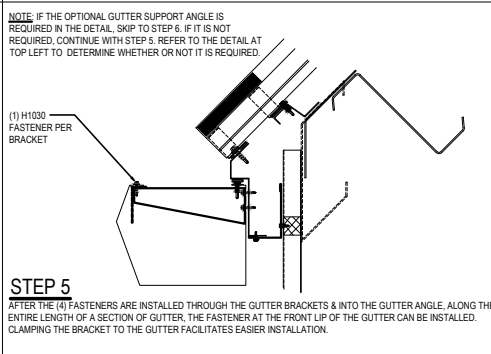
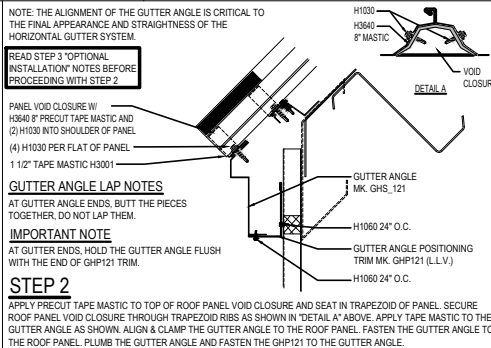
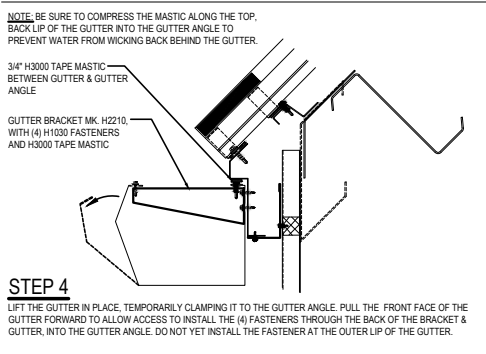
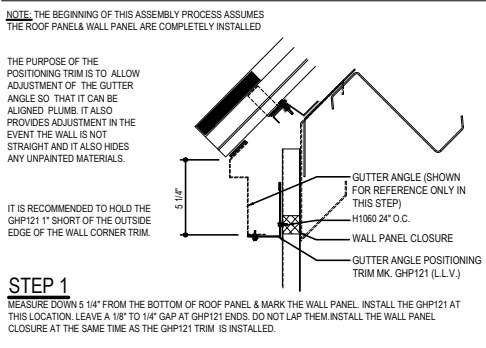
ED6310 - HORIZONTAL GUTTER w/ WALL PANEL

Download the DWG file by clicking here.



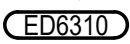
HORIZONTAL GUTTER - TRAPEZOIDAL ROOF
WALL PANEL AT SCULPTURED RAKE

ISOMETRIC VIEW OF HORIZONTAL GUTTER SYSTEM
EAVE ANGLE & EAVE ZEE SHOWN FOR REFERENCE ONLY, ACTUAL EAVE MEMBER MAY VARY



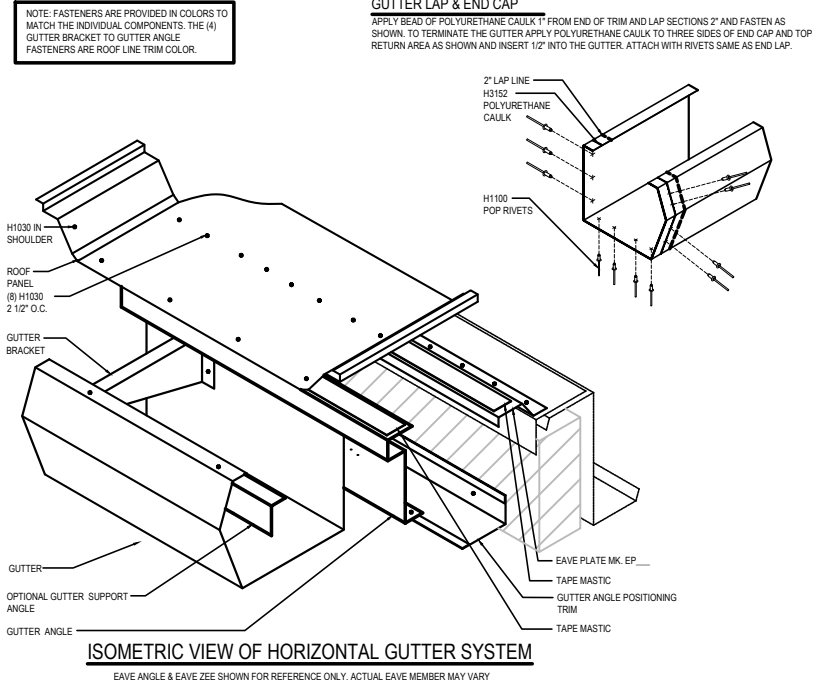
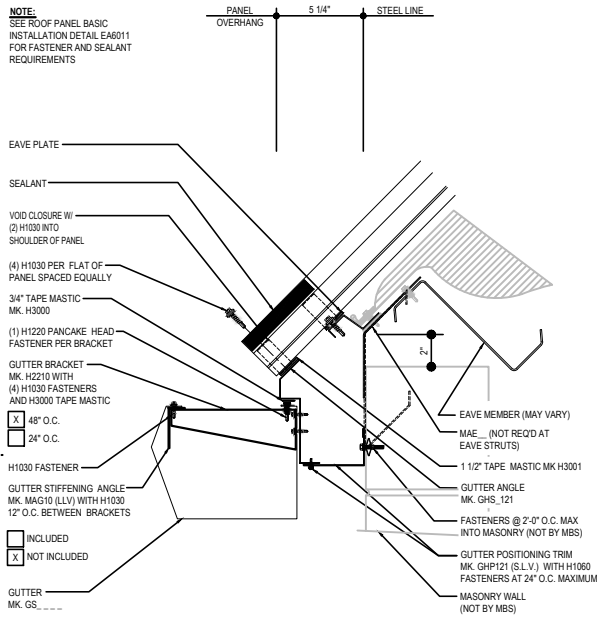
Detailer Notes:

1) CLOSURES LOW EAVE LAYER DEFAULT IS ON. LAYER MUST BE TURNED OFF IF CLOSURES ARE NOT REQUIRED.



ED6410 - HORIZONTAL GUTTER w/ MASONRY WALL

Download the DWG file by clicking here.



HORIZONTAL GUTTER - TRAPEZOIDAL ROOF
HORIZONTAL GUTTER AT MASONRY WALL

ISOMETRIC VIEW OF HORIZONTAL GUTTER SYSTEM
EAVE ANGLE & EAVE ZEE SHOWN FOR REFERENCE ONLY, ACTUAL EAVE MEMBER MAY VARY

NOTE: THE BEGINNING OF THIS ASSEMBLY PROCESS ASSUMES THE ROOF PANELS WALL PANEL ARE COMPLETELY INSTALLED

THE PURPOSE OF THE POSITIONING TRIM IS TO ALLOW ADJUSTMENT OF THE GUTTER ANGLE SO THAT IT CAN BE ALIGNED PLUMB. IT ALSO PROVIDES ADJUSTMENT IN THE EVENT THE WALL IS NOT STRAIGHT AND IT ALSO HIDES ANY UNPAINTED MATERIALS.

IT IS RECOMMENDED TO HOLD THE GHP121 1\"/>

STEP 1
MEASURE DOWN 5 1/4\"/>

NOTE: THE ALIGNMENT OF THE GUTTER ANGLE IS CRITICAL TO THE FINAL APPEARANCE AND STRAIGHTNESS OF THE HORIZONTAL GUTTER SYSTEM.

READ STEP 3 'OPTIONAL INSTALLATION' NOTES BEFORE PROCEEDING WITH STEP 2

PANEL VOID CLOSURE W/ H3040 8\"/>

GUTTER ANGLE LAP NOTES
AT GUTTER ANGLE ENDS, BUT THE PIECES TOGETHER, DO NOT LAP THEM.

IMPORTANT NOTE
AT GUTTER ENDS, HOLD THE GUTTER ANGLE FLUSH WITH THE END OF GHP121 TRIM.

STEP 2
APPLY PRECUT TAPE MASTIC TO TOP OF ROOF PANEL VOID CLOSURE AND SEAT IN TRAPEZOID OF PANEL. SECURE ROOF PANEL VOID CLOSURE THROUGH TRAPEZOID RIBS AS SHOWN IN 'DETAIL A' ABOVE. APPLY TAPE MASTIC TO THE GUTTER ANGLE AS SHOWN. ALIGN & CLAMP THE GUTTER ANGLE TO THE ROOF PANEL. FASTEN THE GUTTER ANGLE TO THE ROOF PANEL. PLUMB THE GUTTER ANGLE AND FASTEN THE GHP121 TO THE GUTTER ANGLE.

NOTE: THIS STEP CAN BE COMPLETED ON THE GROUND. ALSO, HOLD THE BRACKET AT END PIECE OF GUTTER APPROXIMATELY 1/4\"/>

OPTIONAL INSTALLATION
IF DESIRED, STEPS 2 AND 3 CAN BE COMBINED AND DONE ON THE GROUND. IF THAT IS DONE, THE PANCAKE HEAD FASTENER WOULD NOT BE REQUIRED. INSTEAD, ATTACH THE (4) H1030 FASTENERS IN THE BACK OF THE GUTTER BRACKET, THROUGH THE GUTTER ANGLE. THIS ASSEMBLY CAN THEN BE LIFTED IN PLACE AS A SINGLE UNIT. THIS PROCEDURE IS MERELY OPTIONAL AND NOT RECOMMENDED FOR LONG BUILDINGS.

H3000 TAPE MASTIC CAN BE PLACED IN EITHER LOCATION SHOWN HERE

STEP 3
MARK THE LOCATIONS OF THE GUTTER BRACKETS, BASED ON THE SPACING SHOWN ABOVE LEFT. APPLY TAPE MASTIC TO THE VERTICAL BACK LEGS OF THE BRACKETS. INSTALL AN H1220 FASTENER AT THE BACK LIP OF THE GUTTER ONLY AT THIS TIME. APPLY TAPE MASTIC ALONG THE FULL LENGTH OF THE TOP OF THE BACK LIP OF THE GUTTER AS SHOWN.

NOTE: BE SURE TO COMPRESS THE MASTIC ALONG THE TOP BACK LIP OF THE GUTTER INTO THE GUTTER ANGLE TO PREVENT WATER FROM WICKING BACK BEHIND THE GUTTER.

STEP 4
LIFT THE GUTTER IN PLACE, TEMPORARILY CLAMPING IT TO THE GUTTER ANGLE. PULL THE FRONT FACE OF THE GUTTER FORWARD TO ALLOW ACCESS TO INSTALL THE (4) FASTENERS THROUGH THE BACK OF THE BRACKET & GUTTER, INTO THE GUTTER ANGLE. DO NOT YET INSTALL THE FASTENER AT THE OUTER LIP OF THE GUTTER.

NOTE: IF THE OPTIONAL GUTTER SUPPORT ANGLE IS REQUIRED IN THE DETAIL, SKIP TO STEP 6. IF IT IS NOT REQUIRED, CONTINUE WITH STEP 5. REFER TO THE DETAIL AT TOP LEFT TO DETERMINE WHETHER OR NOT IT IS REQUIRED.

STEP 5
AFTER THE (4) FASTENERS ARE INSTALLED THROUGH THE GUTTER BRACKETS & INTO THE GUTTER ANGLE, ALONG THE ENTIRE LENGTH OF A SECTION OF GUTTER, THE FASTENER AT THE FRONT LIP OF THE GUTTER CAN BE INSTALLED. CLAMPING THE BRACKET TO THE GUTTER FACILITATES EASIER INSTALLATION.

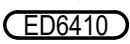
NOTE: IF THE OPTIONAL GUTTER SUPPORT ANGLE IS REQUIRED, IT CAN BE INSTALLED AT THIS TIME. THE FASTENER AT THE FRONT LIP OF THE GUTTER WILL GO THROUGH THE GUTTER, GUTTER SUPPORT ANGLE, AND THE GUTTER BRACKET.

SUPPORT ANGLE NOTES
AT THE END PIECES OF GUTTER, HOLD THE GUTTER SUPPORT ANGLE 2\"/>

STEP 6
AFTER THE (4) FASTENERS ARE INSTALLED THROUGH THE GUTTER BRACKETS & INTO THE GUTTER ANGLE, ALONG THE ENTIRE LENGTH OF A SECTION OF GUTTER, THE FASTENER AT THE FRONT LIP OF THE GUTTER CAN BE INSTALLED. CLAMPING THE BRACKET & GUTTER SUPPORT ANGLE BRACKET TO THE GUTTER FACILITATES EASIER INSTALLATION.

Detailer Notes:

- 1) CLOSURES LOW EAVE LAYER DEFAULT IS ON. LAYER MUST BE TURNED OFF IF CLOSURES ARE NOT REQUIRED.

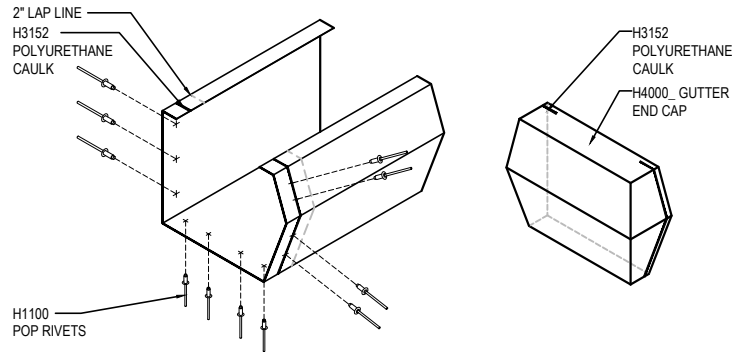


ED6610 - ON-SLOPE GUTTER w/ INSULATED WALL PANEL

[Download the DWG file by clicking here.](#)

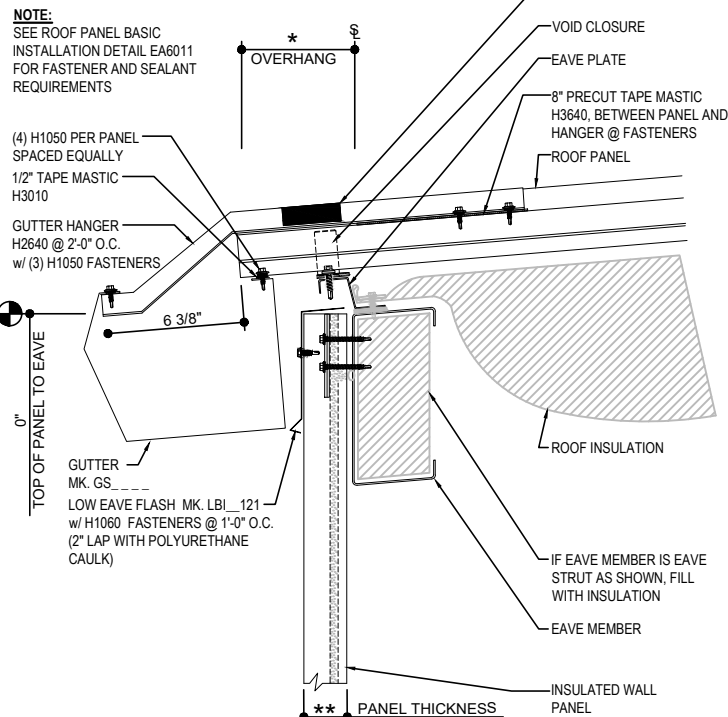
GUTTER LAP & END CAP

APPLY BEAD OF POLYURETHANE CAULK 1" FROM END OF TRIM AND LAP SECTIONS 2" AND FASTEN AS SHOWN. TO TERMINATE THE GUTTER APPLY POLYURETHANE CAULK TO THREE SIDES OF END CAP AND TOP RETURN AREA AS SHOWN AND INSERT 1/2" INTO THE GUTTER. ATTACH WITH RIVETS SAME AS END LAP.



NOTE 1: PANEL RIB MUST BE SEAMED PRIOR TO INSTALLING GUTTER BRACKET!

OVERHANG DIMENSION		
** THICKNESS	* OVERHANG	LBI 121
2"	6"	LBI20121
2 1/2"	6 1/2"	LBI25121
3"	7"	LBI30121
4"	8"	LBI40121



ON-SLOPE GUTTER DETAIL

EAVE GUTTER DETAIL w/ INSULATED WALL PANELS
SEE INSULATED WALL SHEETING ERECTION DETAILS FOR INSTALLATION INSTRUCTIONS.

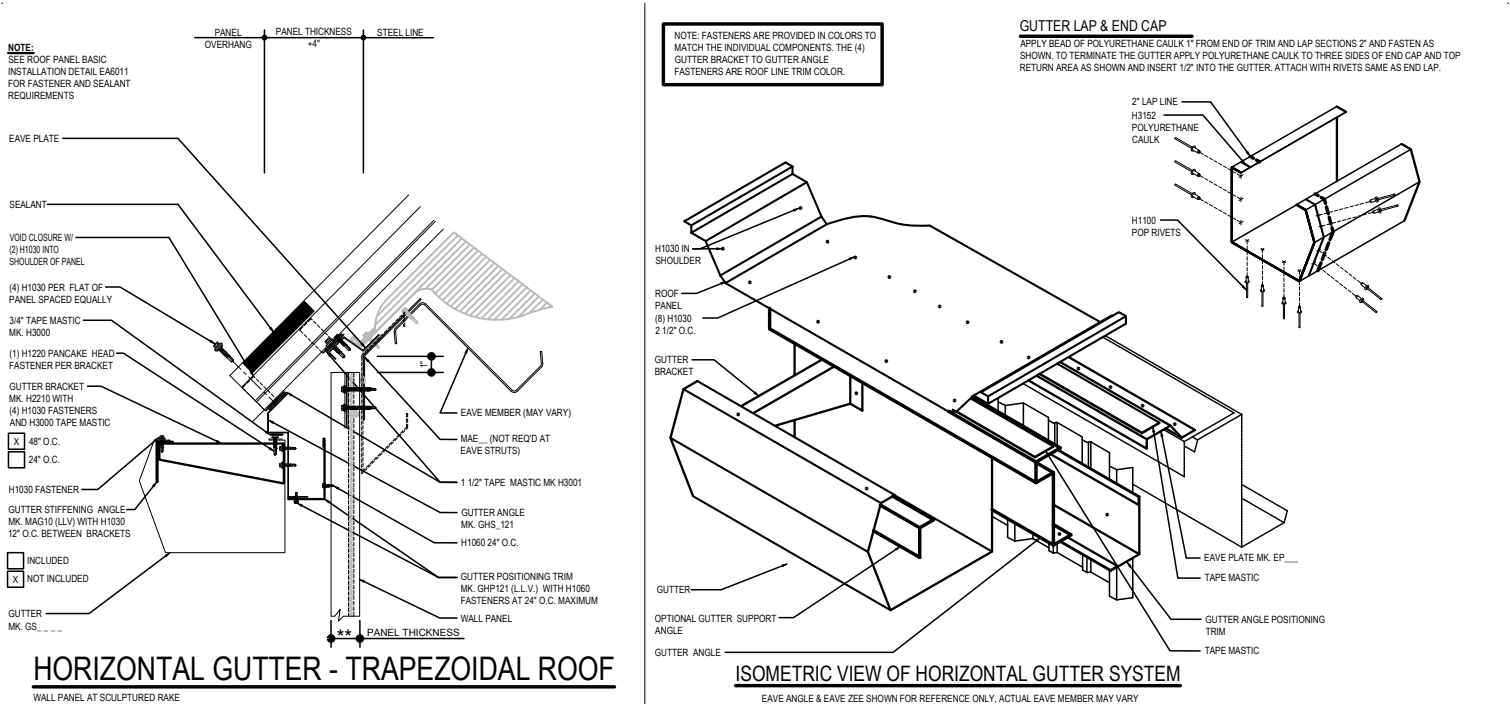
ED6610

Detailer Notes:

- 1) N/A

ED6620 - HORIZONTAL GUTTER w/ INSULATED WALL PANEL

Download the DWG file by clicking here.



HORIZONTAL GUTTER - TRAPEZOIDAL ROOF

ISOMETRIC VIEW OF HORIZONTAL GUTTER SYSTEM

NOTE: THE BEGINNING OF THIS ASSEMBLY PROCESS ASSUMES THE ROOF PANEL & WALL PANEL ARE COMPLETELY INSTALLED.

THE PURPOSE OF THE POSITIONING TRIM IS TO ALLOW ADJUSTMENT OF THE GUTTER ANGLE SO THAT IT CAN BE ANGLED PLUMB. IT ALSO PROVIDES ADJUSTMENT IN THE EVENT THE WALL IS NOT STRAIGHT AND IT ALSO HIDES ANY UNPAINTED MATERIALS.

IT IS RECOMMENDED TO HOLD THE GHP121 1" SHORT OF THE OUTSIDE EDGE OF THE WALL CORNER TRIM.

STEP 1
MEASURE DOWN 5 1/4" FROM THE BOTTOM OF ROOF PANEL & MARK THE WALL PANEL. INSTALL THE GHP121 AT THIS LOCATION. LEAVE A 1/8" TO 1/4" GAP AT GHP121 ENDS. DO NOT LAP THEM.

NOTE: THE ALIGNMENT OF THE GUTTER ANGLE IS CRITICAL TO THE FINAL APPEARANCE AND STRAIGHTNESS OF THE HORIZONTAL GUTTER SYSTEM.

READ STEP 3 'OPTIONAL INSTALLATION' NOTES BEFORE PROCEEDING WITH STEP 2

PANEL VOID CLOSURE W/ H3400 8" PRECUT TAPE MASTIC AND (2) H1030 INTO SHOULDER OF PANEL
(4) H1030 PER FLAT OF PANEL
1 1/2" TAPE MASTIC H3001

GUTTER ANGLE LAP NOTES
AT GUTTER ANGLE ENDS, BUTT THE PIECES TOGETHER, DO NOT LAP THEM.

IMPORTANT NOTE
AT GUTTER ENDS, HOLD THE GUTTER ANGLE FLUSH WITH THE END OF GHP121 TRIM.

STEP 2
APPLY PRECUT TAPE MASTIC TO TOP OF ROOF PANEL, VOID CLOSURE AND SEAT IN TRAPEZOID OF PANEL. SECURE ROOF PANEL VOID CLOSURE THROUGH TRAPEZOID RIBS AS SHOWN IN 'DETAIL A' ABOVE. APPLY TAPE MASTIC TO THE GUTTER ANGLE AS SHOWN. ALIGN & CLAMP THE GUTTER ANGLE TO THE ROOF PANEL. FASTEN THE GUTTER ANGLE TO THE ROOF PANEL. PLUMB THE GUTTER ANGLE AND FASTEN THE GHP121 TO THE GUTTER ANGLE.

NOTE: THIS STEP CAN BE COMPLETED ON THE GROUND. ALSO, HOLD THE BRACKET AT END PIECE OF GUTTER APPROXIMATELY 1'-0" FROM THE END OF THE GUTTER TO ALLOW ROOM FOR RAKE TRIM TRANSITION INTO THE GUTTER.

OPTIONAL INSTALLATION
IF DESIRED, STEPS 2 AND 3 CAN BE COMBINED AND DONE ON THE GROUND. IF THAT IS DONE, THE PANCAKE HEAD FASTENER WOULD NOT BE REQUIRED. INSTEAD, ATTACH THE (4) H1030 FASTENERS IN THE BACK OF THE GUTTER BRACKET, THROUGH THE GUTTER ANGLE. THIS ASSEMBLY CAN THEN BE LIFTED IN PLACE AS A SINGLE UNIT. THIS PROCEDURE IS MERELY OPTIONAL AND NOT RECOMMENDED FOR LONG BUILDINGS.

H3000 TAPE MASTIC CAN BE PLACED IN EITHER LOCATION SHOWN HERE

STEP 3
MARK THE LOCATIONS OF THE GUTTER BRACKETS, BASED ON THE SPACING SHOWN ABOVE LEFT. APPLY TAPE MASTIC TO THE VERTICAL BACK LEGS OF THE BRACKETS. INSTALL AN H1220 FASTENER AT THE BACK LIP OF THE GUTTER ONLY AT THIS TIME. APPLY TAPE MASTIC ALONG THE FULL LENGTH OF THE TOP OF THE BACK LIP OF THE GUTTER AS SHOWN.

NOTE: BE SURE TO COMPRESS THE MASTIC ALONG THE TOP, BACK LIP OF THE GUTTER INTO THE GUTTER ANGLE TO PREVENT WATER FROM WICKING BACK BEHIND THE GUTTER.

STEP 4
LIFT THE GUTTER IN PLACE, TEMPORARILY CLAMPING IT TO THE GUTTER ANGLE. PULL THE FRONT FACE OF THE GUTTER FORWARD TO ALLOW ACCESS TO INSTALL THE (4) FASTENERS THROUGH THE BACK OF THE BRACKET & GUTTER, INTO THE GUTTER ANGLE. DO NOT YET INSTALL THE FASTENER AT THE OUTER LIP OF THE GUTTER.

NOTE: IF THE OPTIONAL GUTTER SUPPORT ANGLE IS REQUIRED, IT CAN BE INSTALLED AT THIS TIME. IF IT IS NOT REQUIRED, CONTINUE WITH STEP 5. REFER TO THE DETAIL AT TOP LEFT TO DETERMINE WHETHER OR NOT IT IS REQUIRED.

STEP 5
AFTER THE (4) FASTENERS ARE INSTALLED THROUGH THE GUTTER BRACKETS & INTO THE GUTTER ANGLE, ALONG THE ENTIRE LENGTH OF A SECTION OF GUTTER, THE FASTENER AT THE FRONT LIP OF THE GUTTER CAN BE INSTALLED. CLAMPING THE BRACKET TO THE GUTTER FACILITATES EASIER INSTALLATION.

NOTE: IF THE OPTIONAL GUTTER SUPPORT ANGLE IS REQUIRED, IT CAN BE INSTALLED AT THIS TIME. THE FASTENER AT THE FRONT LIP OF THE GUTTER WILL GO THROUGH THE GUTTER, GUTTER SUPPORT ANGLE, AND THE GUTTER BRACKET.

STEP 6
AFTER THE (4) FASTENERS ARE INSTALLED THROUGH THE GUTTER BRACKETS & INTO THE GUTTER ANGLE, ALONG THE ENTIRE LENGTH OF A SECTION OF GUTTER, THE FASTENER AT THE FRONT LIP OF THE GUTTER CAN BE INSTALLED. CLAMPING THE BRACKET & GUTTER SUPPORT ANGLE BRACKET TO THE GUTTER FACILITATES EASIER INSTALLATION.

SUPPORT ANGLE NOTES
AT THE END PIECES OF GUTTER, HOLD THE GUTTER SUPPORT ANGLE 2" FROM THE END OF THE GUTTER. THIS WILL KEEP IT OUT OF THE WAY OF THE GUTTER END CAP WHEN THOSE ARE INSTALLED (SEE CORNER DETAIL).

Detailer Notes:

1) N/A

