

**LOW EAVE (GUTTER)**

ED7000 - SCULPTURED RAKE TO ON-SLOPE GUTTER INSTALL

ED7005 - LOW EAVE INSIDE CORNER GUTTER

ED7010 - HORIZONTAL GUTTER - SCULPTURED RAKE

ED7303 - ON-SLOPE GUTTER AT HIP - VR

ED7304 - ON-SLOPE GUTTER AT VALLEY - VR

ED7603 - ON-SLOPE GUTTER AT HIP - TRAP

ED7604 - ON-SLOPE GUTTER AT VALLEY - TRAP

---

ED7000 - SCULPTURED RAKE TO ON-SLOPE GUTTER INSTALL

[Download the DWG file by clicking here.](#)

**STEP 1**

**GUTTER END CAPS**

APPLY A CONTINUOUS BEAD OF POLYURETHANE TUBE CAULK (H3152) AROUND THREE SIDES OF THE GUTTER END CAP (H4000\_).

INSERT THE GUTTER CAP 1/2" (H4000\_) INTO THE END OF THE GUTTER.

FASTEN WITH **POP RIVETS (H1100)** AS SHOWN IN GUTTER DETAIL. APPLY **POLYURETHANE TUBE CAULK (H3152)** AROUND PERIMETER INSIDE GUTTER TO SEAL CAP.

EXTEND GUTTER BEYOND FACE OF WALL CORNER TRIM AS SHOWN.

**RAKE CAP END INSTALLATION**

HOLD THE RAKE CAP END (RSCE) TIGHT TO THE BACK OF AND FLUSH WITH THE BOTTOM OF THE GUTTER. FASTEN TO THE WALL CORNER TRIM WITH (2) TRIM-COLORED SELF-DRILLING **SCREWS (H1050)**.

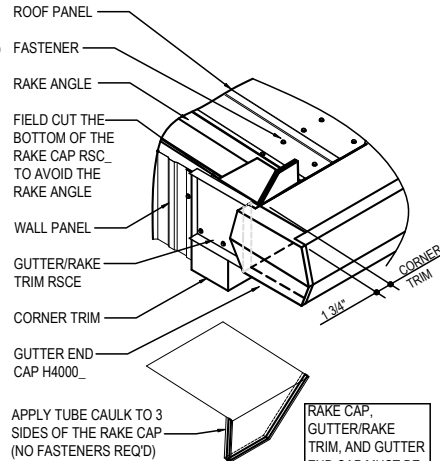
**RAKE CAP INSTALLATION**

BEFORE INSTALLING THE RAKE TRIM, THE RAKE CAP MUST BE INSTALLED.

APPLY **POLYURETHANE TUBE CAULK (H3152)** TO (3) SIDES OF THE **RAKE CAP** AND PLACE IT ON THE END OF THE PANEL 1/2" FROM THE EDGE OF THE GUTTER END CAP (FLUSH WITH FACE OF CORNER TRIM.) NO FASTENERS ARE REQUIRED FOR THE RAKE CAP. FIELD COPE FLAT OF RAKE CAP AS REQUIRED.

**RAKE CAP PART NUMBERS**

- RSCL (LEFT)
- RSCR (RIGHT)



**STEP 2**

**RAKE TRIM INSTALLATION AT BUILDING WITH GUTTER**

**RAKE TRIM PART NUMBERS**

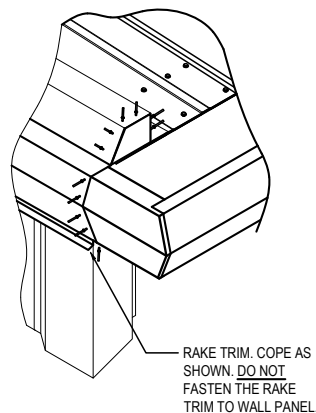
- RS\_121 X 10'-1"
- RS\_242 X 20'-2"

ALL PARTS MUST BE POSITIONED PROPERLY BEFORE TOUCHING THE MASTIC TO THE ROOF PANEL. MASTIC CANNOT BE REUSED.

ALIGN THE END OF THE RAKE TRIM WITH THE END OF THE ROOF PANEL. THIS WILL LAP ONTO THE GUTTER END CAP.

ALWAYS START THE RAKE TRIM INSTALLATION AT THE LOW EAVE WORKING TOWARD THE HIGH EAVE OR RIDGE. INSTALL RAKE TRIM ACCORDING RAKE TRIM DETAIL

COPE THE BOTTOM VERTICAL LEG OF THE RAKE TRIM FLUSH WITH THE OUTSIDE EDGE OF THE WALL CORNER TRIM. FASTEN THE RAKE TRIM TO THE END CAPS USING POP RIVETS (H1100)



**SCULPTURED RAKE TO ON SLOPE GUTTER**

DETAIL SHOWN WITH WALL PANEL AND CORNER TRIM. MASONRY AND INSULATED WALL PANEL CONDITIONS SIMILAR.

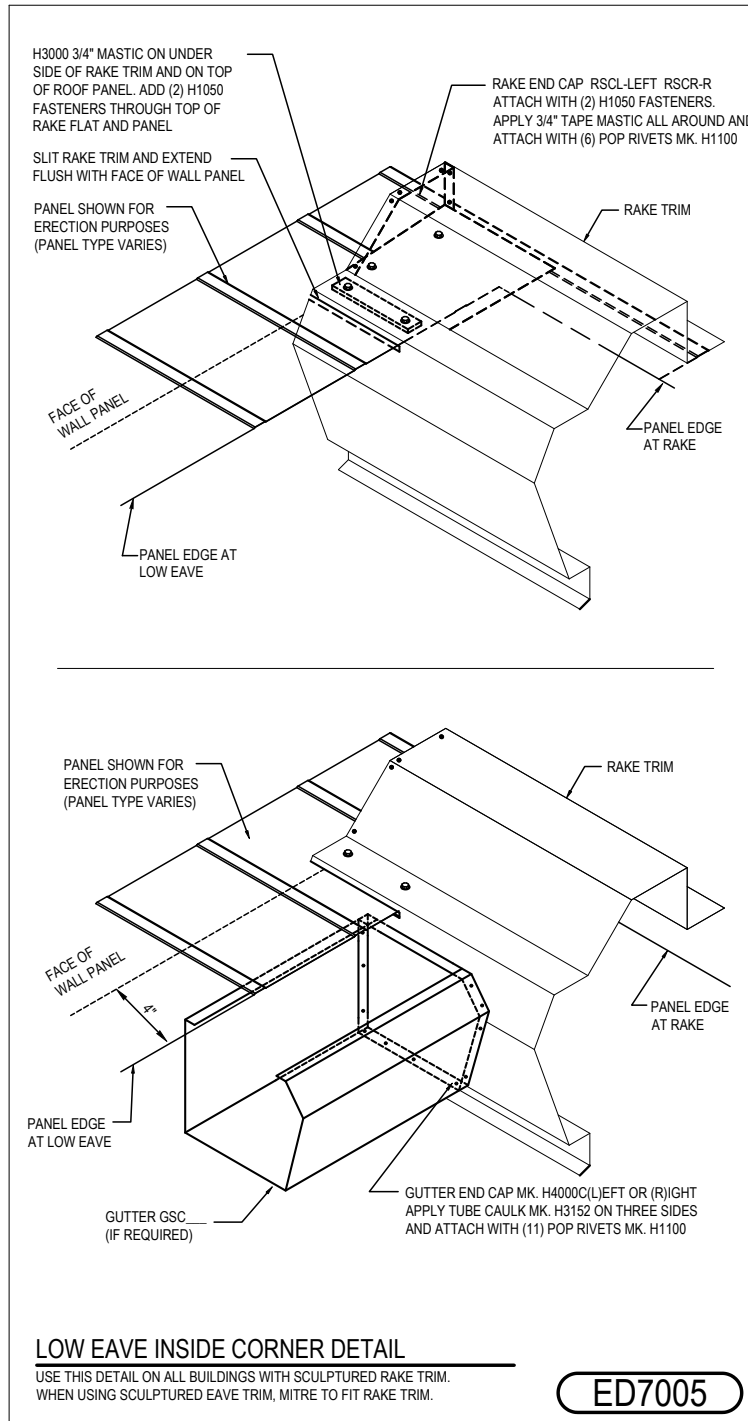
**ED7000**

**Detailer Notes:**

- 1) THIS DETAIL IS DUPLICATE OF DD7000. DUPLICATE DETAILS ARE TO ENSURE THAT THEY ARE PLACED IN ORDER IN ERECTION DRAWINGS.

ED7005 - LOW EAVE INSIDE CORNER TERMINATION w/ GUTTER

[Download the DWG file by clicking here.](#)

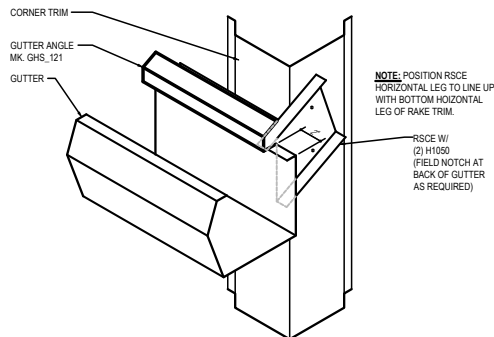


**Detailer Notes:**

- 1) THIS DETAIL IS DUPLICATE OF DD7005. DUPLICATE DETAILS ARE TO ENSURE THAT THEY ARE PLACED IN ORDER IN ERECTION DRAWINGS.

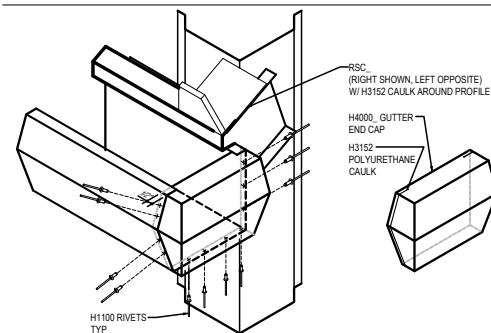
ED7010 - HORIZONTAL GUTTER - SCULPTURED RAKE

[Download the DWG file by clicking here.](#)



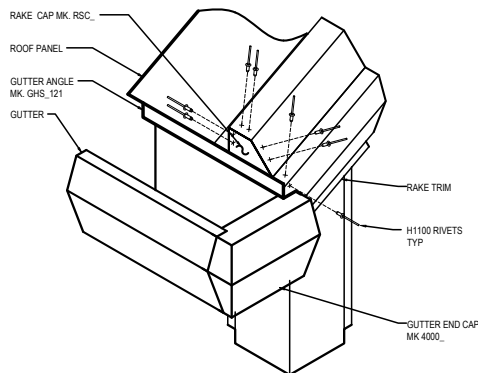
**STEP 1**

- GUTTER ANGLE (GHS\_121) AND GUTTER POSITIONING TRIM (GHP121) STOP FLUSH WITH FACE OF CORNER
- TRIM. EXTEND GUTTER 2" BEYOND FACE OF CORNER TRIM.
- MITER RSC TO ROOF SLOPE AND INSTALL TO FACE OF CORNER TRIM TO CLOSE OFF END OF GUTTER SUPPORT TRIMS.



**STEP 2**

- TO TERMINATE THE GUTTER APPLY POLYURETHANE CAULK TO THREE SIDES OF END CAP H4000, AND TOP RETURN AREA AS SHOWN AND INSERT 1/2" INTO THE GUTTER. ATTACH WITH (1) H1100 RIVETS.
- APPLY POLYURETHANE CAULK AROUND THE PROFILE OF THE RSC, AND POSITION ON TOP OF GHS\_121 TO FILL END OF RAKE TRIM.



**STEP 3**

- EXTEND RAKE TRIM TO BE IN LINE WITH END OF PANEL AND EXTEND TO BACK SIDE OF GUTTER. INSTALL RAKE CAP RSC IN END OF RAKE TRIM.
- FIELD CORN AND MITER GUTTER ANGLE (GHS\_121) AND GUTTER POSITIONING TRIM (GHP121) AND RAKE TRIM BEHIND GUTTER AS NEEDED.

HORIZONTAL GUTTER TO SCULPTURED RAKE  
CORNER DETAIL - HORIZONTAL GUTTER TO SCULPTURED RAKE

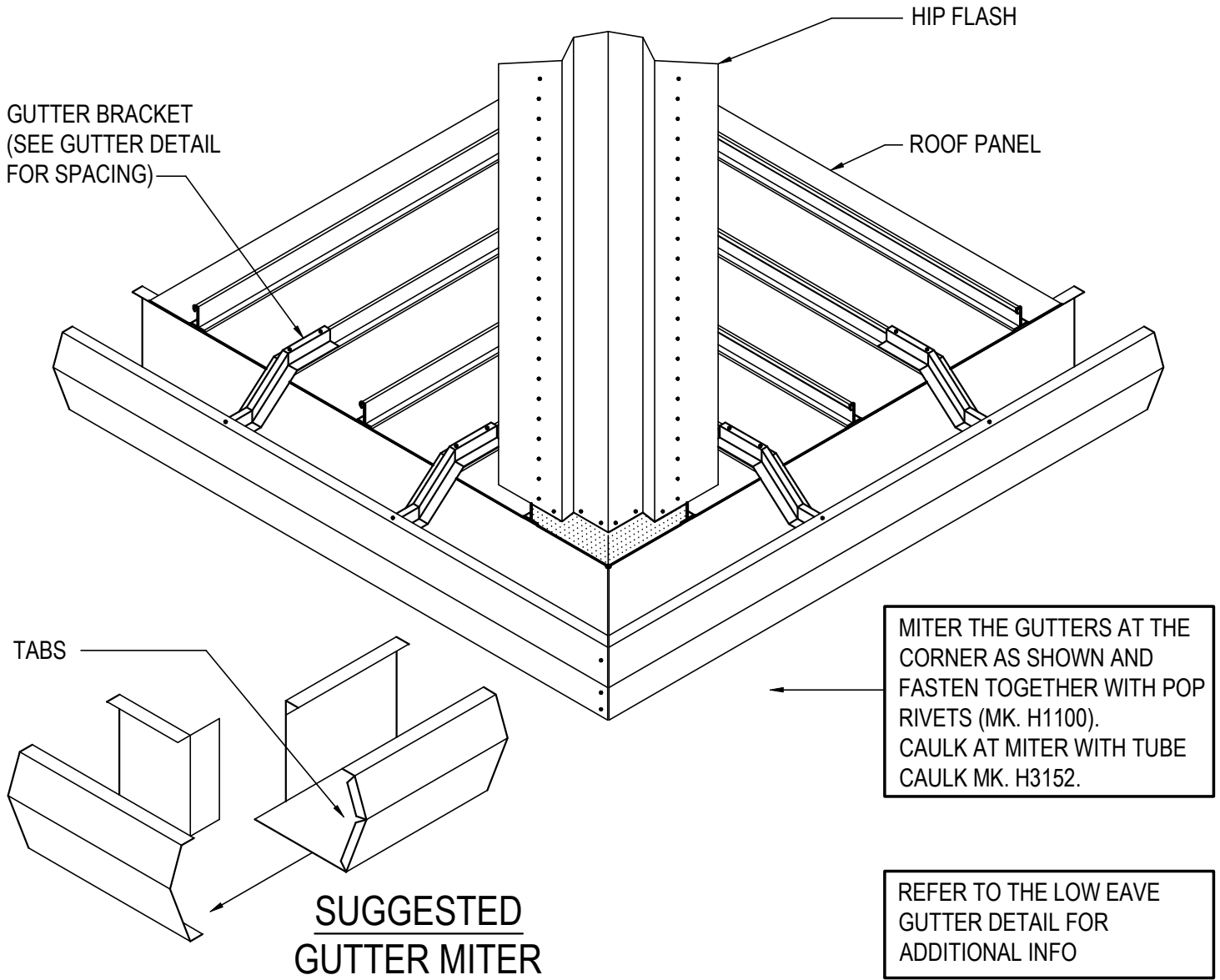
**ED7010**

**Detailer Notes:**

- 1) THIS DETAIL IS DUPLICATE OF DD7010. DUPLICATE DETAILS ARE TO ENSURE THAT THEY ARE PLACED IN ORDER IN ERECTION DRAWINGS.

ED7303 - CBC - ON-SLOPE GUTTER AT HIP

[Download the DWG file by clicking here.](#)



**LOW EAVE GUTTER AT HIP - LOC SEAM**

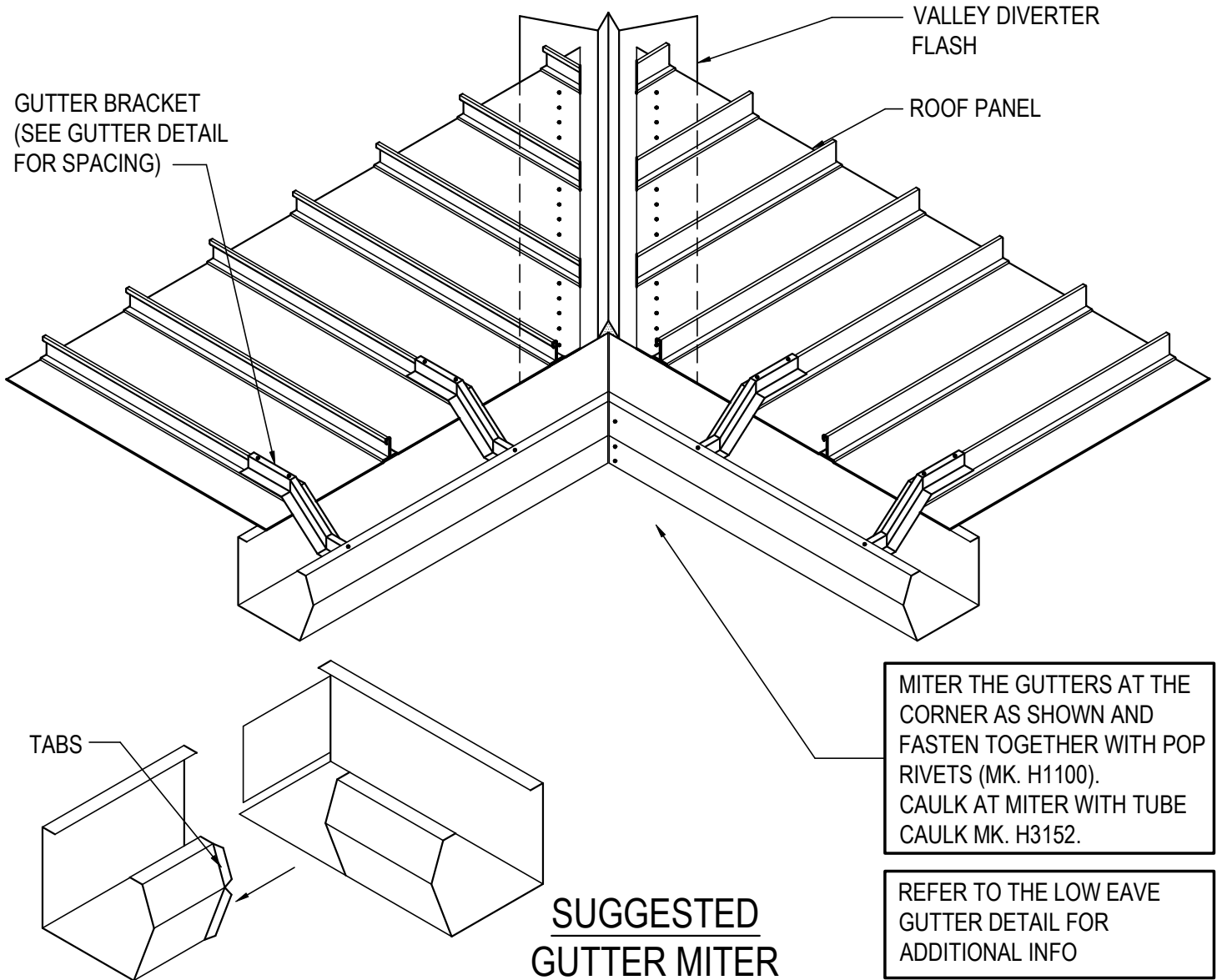
ED7303

**ED7303**

Detailer Notes:  
1) N/A

ED7304 - CBC - ON-SLOPE GUTTER AT VALLEY

[Download the DWG file by clicking here.](#)



**LOW EAVE GUTTER AT VALLEY - LOC SEAM**

ED7304

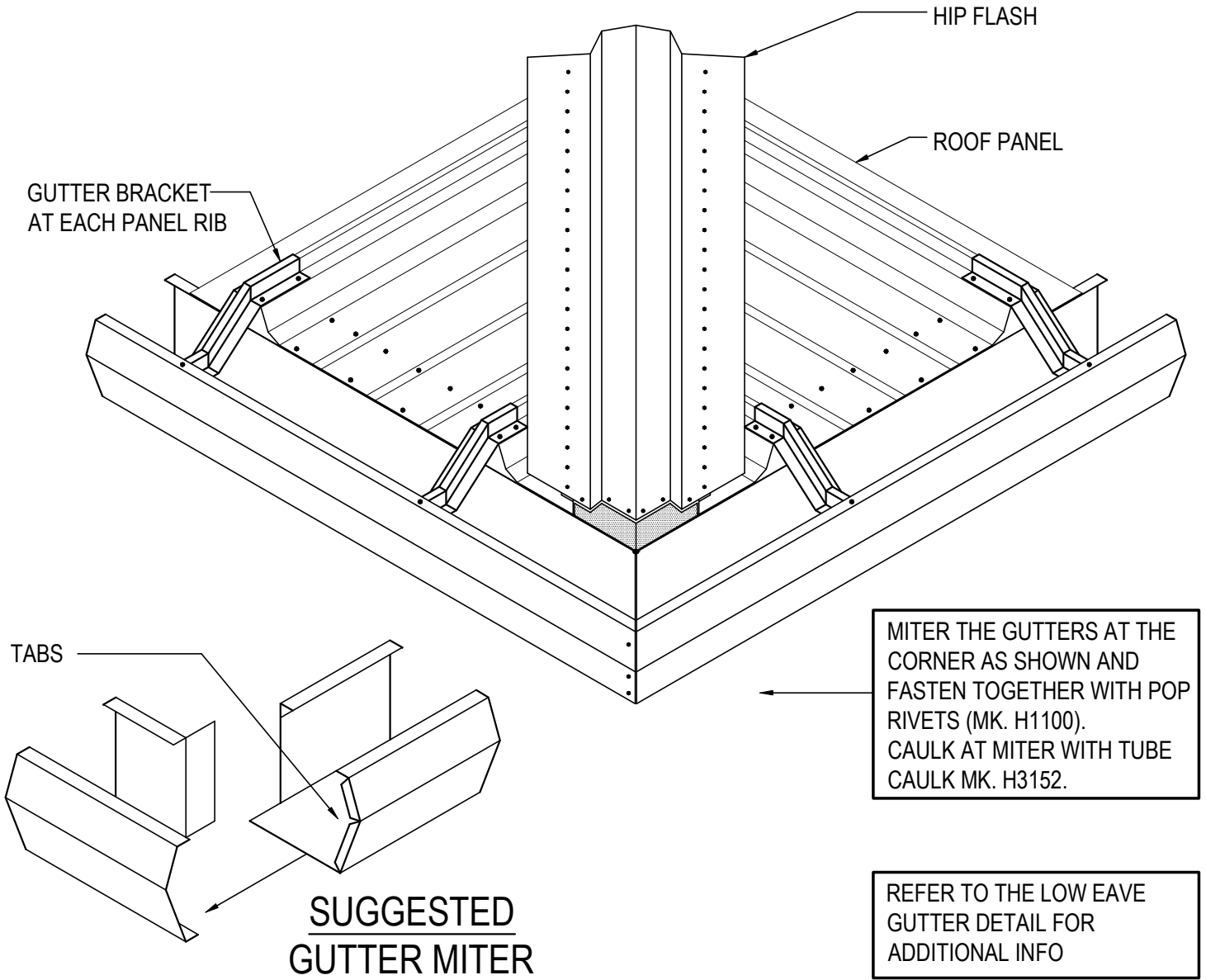
**ED7304**

Detailer Notes:

- 1) N/A

ED7603 - CBC - ON-SLOPE GUTTER AT HIP

[Download the DWG file by clicking here.](#)



## LOW EAVE GUTTER AT HIP - SSII / SS360

ED7603

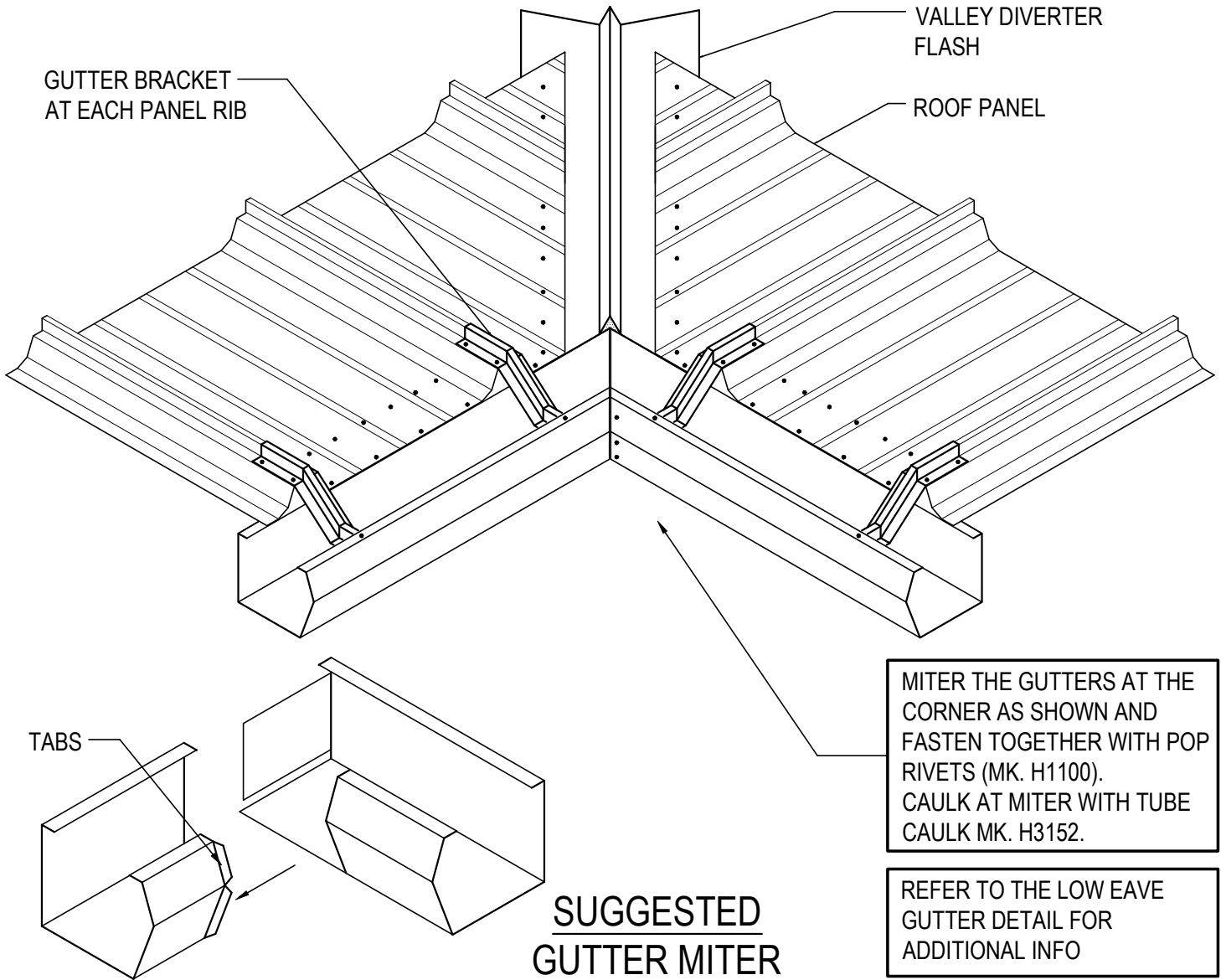
**ED7603**

Detailer Notes:

- 1) N/A

ED7604 - CBC - ON-SLOPE GUTTER AT VALLEY

[Download the DWG file by clicking here.](#)



**LOW EAVE GUTTER AT VALLEY - SSII / SS360**

ED7604

**ED7604**

Detailer Notes:  
1) N/A