

RIDGE

EG7000 - FIELD FAB PEAK BOX

EG7330 - RIDGE CAP WITH METAL PEAK BOX INSTALLATION

EG7331 - PARAPET AT RIDGE (VERTICAL RIB)

EG7340 - VENTED RIDGE CAP WITH METAL PEAK BOX INSTALLATION

EG7341 - PEAK TRANSITION TO PARAPET AT VENTED RIDGE

EG7630 - RIDGE CAP WITH METAL PEAK BOX INSTALLATION

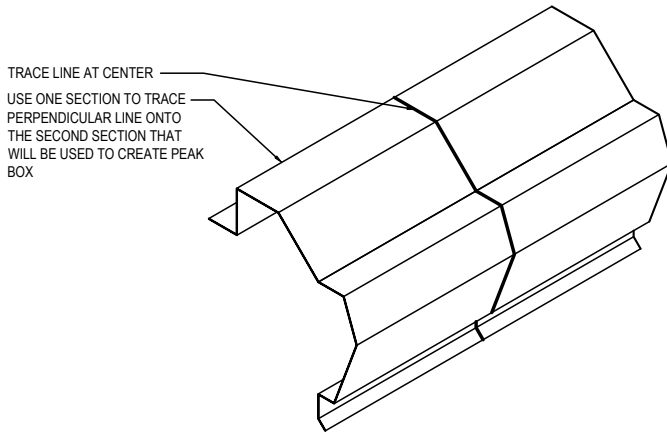
EG7631 - PARAPET AT RIDGE (TRAPEZOIDAL RIB)

EG7640 - VENTED RIDGE CAP WITH METAL PEAK BOX INSTALLATION

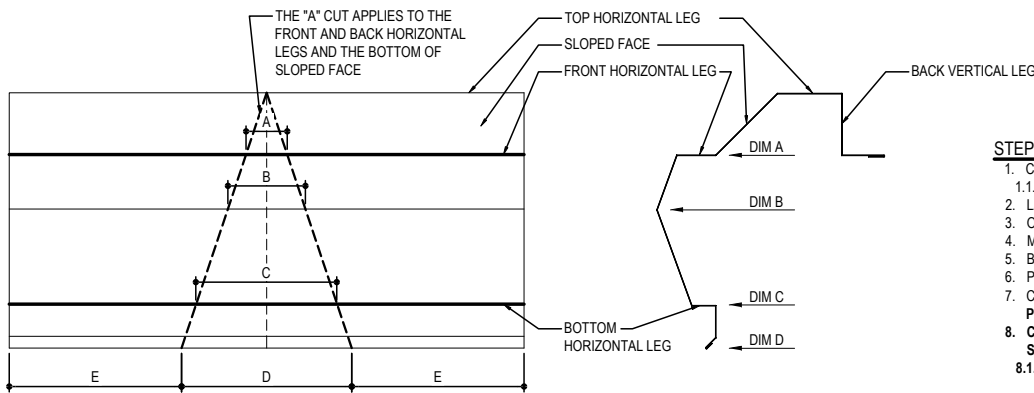
EG7641 - PARAPET AT VENTED RIDGE (TRAPEZOIDAL RIB)

EG7000 - FIELD FAB PEAK BOX

[Download the DWG file by clicking here.](#)

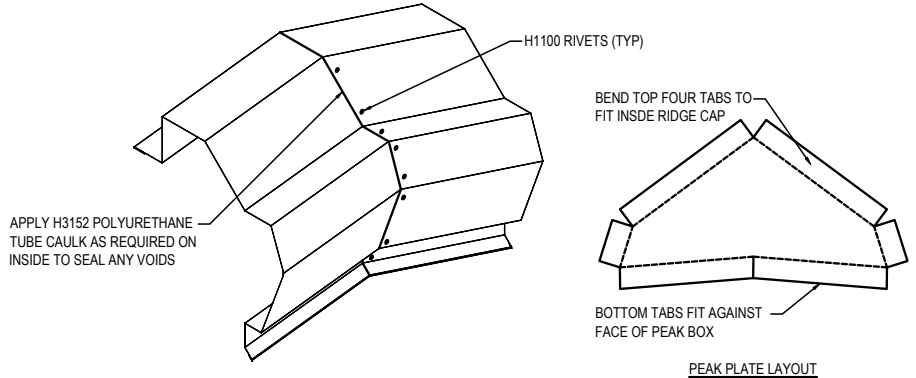
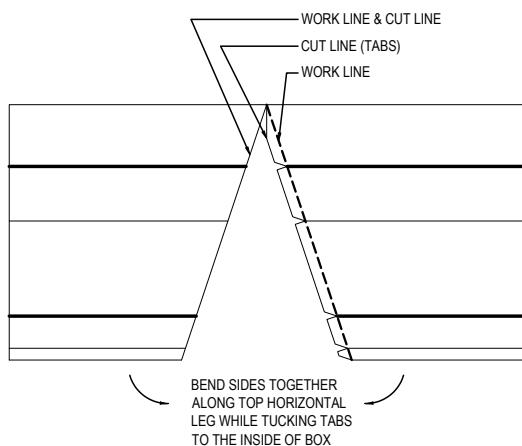


ROOF SLOPE	LAYOUT DIMENSION (INCHES)				
	A	B	C	D	E
0.25:12	1/8	1/4	7/16	1/2	11 3/4
0.50:12	1/4	7/16	13/16	1	11 1/2
1:12	1/2	7/8	1 5/8	2	11
2:12	15/16	1 13/16	3 5/16	3 15/16	10
3:12	1 7/16	2 11/16	4 15/16	6	9
4:12	1 7/8	3 5/8	6 5/8	7 7/8	8 1/16
5:12	2 3/8	4 1/2	8 1/4	9 7/8	7 1/16
6:12	2 7/8	5 7/16	9 7/8	11 7/8	6 1/16
7:12	3 3/8	6 5/16	11 1/2	13 7/8	5 1/16
8:12	3 7/8	7 1/4	13 1/8	15 7/8	4 1/16
9:12	4 5/16	8 1/16	14 7/8	17 7/8	3 1/8
10:12	4 3/4	9	16 1/2	19 3/4	2 1/8
11:12	5 1/4	9 15/16	18 1/8	21 3/4	7 1/8
12:12	5 3/4	10 13/16	19 3/4	23 3/4	6 1/8



STEP BY STEP INSTRUCTIONS

- CUT THE TRIM INTO (2) 2'-0" ± LENGTHS
 - (2) 3'-0" ± LENGTHS AT 11:12 SLOPE AND GREATER
- LAYOUT THE WORK LINES AS SHOWN
- OFFSET ONE OF THE WORK LINES FOR TABS LAYOUT
- MAKE CUTS AS SHOWN
- BEND AT THE TOP HORIZONTAL LEG OF THE TRIM
- POP RIVET THE TWO SIDES TOGETHER WITH H1100 RIVETS
- CAULK ANY GAPS AS REQUIRED ON INSIDE WITH H3152 POLYURETHANE TUBE CAULK
- CREATE FIELD FAB PEAK PLATE FROM SUPPLIED FS6- FLAT STOCK. (NOT REQUIRED W/ LOC SEAM PANEL)
 - PLACE RIDGE CAP TEMPORARILY ON PEAK BOX AND TRACE PATTERN TO TRANSFER TO FLAT STOCK. CUT OUT AS SHOWN AND BEND TABS.



FIELD FABRICATED PEAK BOX INSTRUCTIONS
REFERENCE PEAK BOX DETAIL FOR INSTALLATION

EG7000

Detailer Notes:

- THIS DETAIL IS USED WHEN FIELD FAB PEAK BOXES ARE REQUESTED. THE PEAK BOX INSTALLATION DETAIL IS ALSO REQUIRED.

EG7330 - RIDGE CAP WITH METAL PEAK BOX INSTALLATION

[Download the DWG file by clicking here.](#)

METAL PEAK BOX PREPARATION

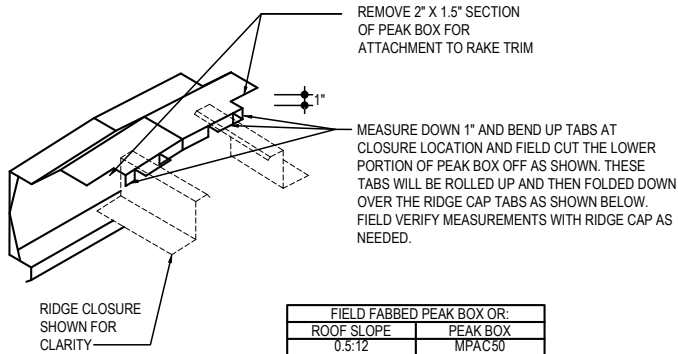
**PEAK BOX PREPARATION
STEP 1**

PRIOR TO INSTALLING THE FIRST OR LAST PIECE OF RIDGE CAP, THE PEAK BOX AND PEAK PLATE NEED TO BE PREPPED AND DRY-FIT TO ENSURE PROPER FIT UP.

PEAK BOX PREPARATION

NEXT APPLY A BEAD OF POLYURETHANE TUBE CAULK (H3152) ON THE UNDERSIDE OF THE PEAK BOX WHERE ANY GAPS MAY BE PRESENT.

FIELD NOTCH THE BACK OF THE PEAK BOX TO MATCH THE PROFILE OF THE RIDGE CAP.



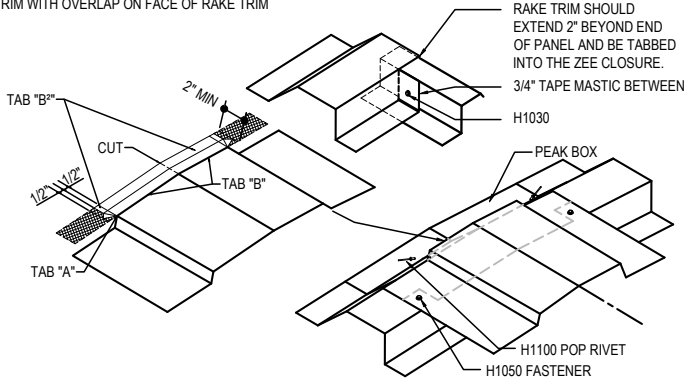
FIELD FABBED PEAK BOX OR:	
ROOF SLOPE	PEAK BOX
0.5:12	MPAC00
1:12	MPAC01
2:12	MPAC02
3:12	MPAC03
4:12	MPAC04
5:12	MPAC05
6:12	MPAC06

**RIDGE CAP & RAKE TRIM PREPARATION
STEP 2**

TERMINATE RAKE TRIM INTO THE ZEE CLOSURE AS SHOWN BELOW.

AT RIDGE TERMINATION MARK 2" FROM EDGE OF RIDGE CAP AND CUT AND REMOVE HATCHED AREA ALONG EDGE STOPPING AT FLAT SHOWN IN TAB "A". FLATTEN AT TAB "A" AS SHOWN. AT TAB "B" BEND DOWN 90° TO FORM A CAP. AT TAB "B" BEND OUT MIMICKING PEAK BOX SLOPE. ATTACH (2) H1100 POP RIVETS TO HOLD TABBED SECTION AND TAB "B" SECTION AT 90°. APPLY POLYURETHANE TUBE CAULK (H3152) TO THE BACKSIDE OF ALL TABS AND OVERLAPS ON FORMED RIDGE CAP FOR SEAL BEFORE PLACING ON PEAK BOX.

ROLL THE PEAK BOX OVER THE RAKE TRIM AND BEND END OF RAKE TRIM TO ALLOW RIDGE CAP TO SET FLUSH OVER RAKE TRIM WITH OVERLAP ON FACE OF RAKE TRIM

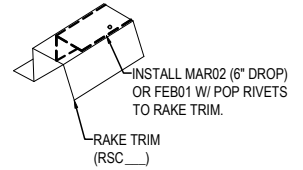


RIDGE CAP WITH METAL PEAK BOX INSTALLATION

DETAIL SHOWN WITH ROOF AND WALL PANEL.

**MAR02 ATTACHMENT TO RAKE WITH POP RIVETS
STEP 3**

USE A PIECE OF MAR02 OR FEB01 DROP ATTACHED TO UNDERSIDE OF THE RAKE TRIM ON BOTH SIDES OF RIDGE W/ (4) H1100 POP RIVETS. THIS WILL ACT AS BACKER TO FASTEN RIDGE CAP INTO RAKE. AVOID PINNING PEAK BOX WITH FASTENER. KEEP RIVETS WITHIN THE COVERAGE AREA OF THE RIDGE CAP TO ENSURE WEATHER TIGHTNESS.



**METAL PEAK BOX & RIDGE CAP INSTALLATION AT STANDARD RAKE TRIM
STEP 4**

PLACE A BEAD OF POLYURETHANE TUBE CAULK (H3152) ON THE RIDGE CAP WHERE IT WILL CONTACT THE RAKE TRIM.

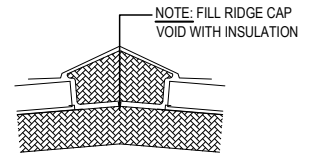
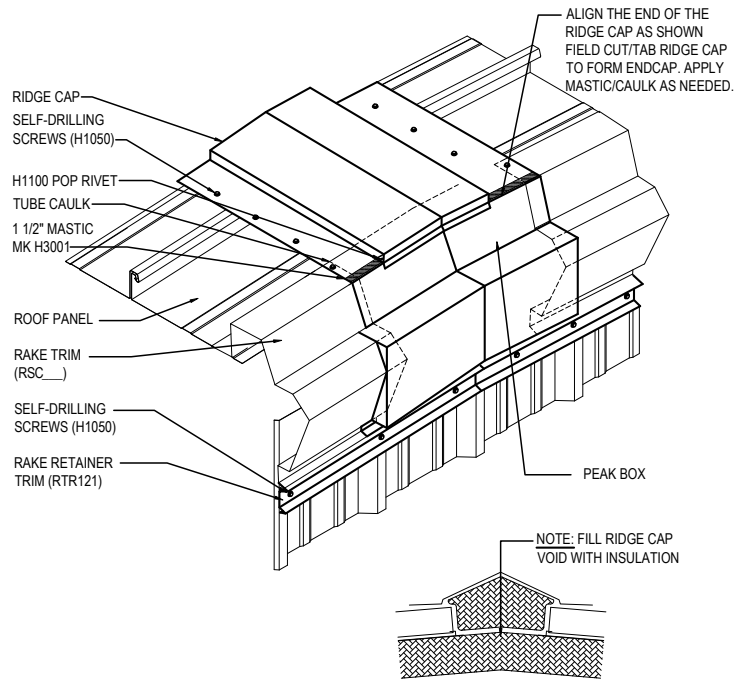
CENTER THE RIDGE CAP OVER THE CLOSURES AND TIGHTLY AGAINST THE TOP OF THE PEAK BOX. BE SURE THAT THE EDGE OF THE RIDGE CAP IS FLUSH WITH THE SLOPED FACE.

NEXT, MAKE SURE THE TABS OF THE PEAK BOX ARE FOLDED HORIZONTAL WITH THE TOP FACE OF PEAK BOX..

APPLY A CONTINUOUS BEAD OF POLYURETHANE TUBE CAULK (H3152) ON THE UNDERSIDE OF THE PEAK BOX WHERE IT WILL COME INTO CONTACT WITH THE RAKE TRIMS.

PLACE A BEAD OF POLYURETHANE TUBE CAULK (H3152) BETWEEN CUT SECTION ON THE RIDGE CAP. ALSO APPLY POLYURETHANE TUBE CAULK (H3152) ON TABBED SECTIONS WHERE PEAK BOX WILL FIT.

CENTER THE PREPARED PEAK BOX AT THE RIDGE OVER THE RAKE TRIM WHILE SLIDING UNDER THE UPPER PORTION OF THE RIDGE CAP. THE TABS OF PEAK BOX SHOULD ATTACH TO THE FACE OF THE CLOSURE ZEE AND ATTACH WITH TRIM COLORED SELF-DRILLING SCREWS (H1050). ENSURE THAT ALL PLYS OF METAL ARE SEALED WITH POLYURETHANE TUBE CAULK (H3152) AND 1 1/2" MASTIC (H3001) ACROSS FRONT EDGE OF PEAK BOX BEFORE RIDGE TRIM ATTACHMENT TO ENSURE WEATHER TIGHT SEAL.



EG7330

Detailer Notes:

1) N/A

EG7331 PARAPET AT RIDGE (VERTICAL RIB)

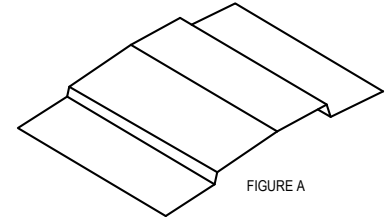
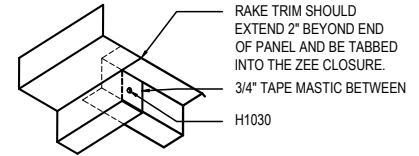
[Download the DWG file by clicking here.](#)

PARAPET PEAK TRANSITION

PREPERATION AND ASSEMBLING RIDGE CAP

STEP 1

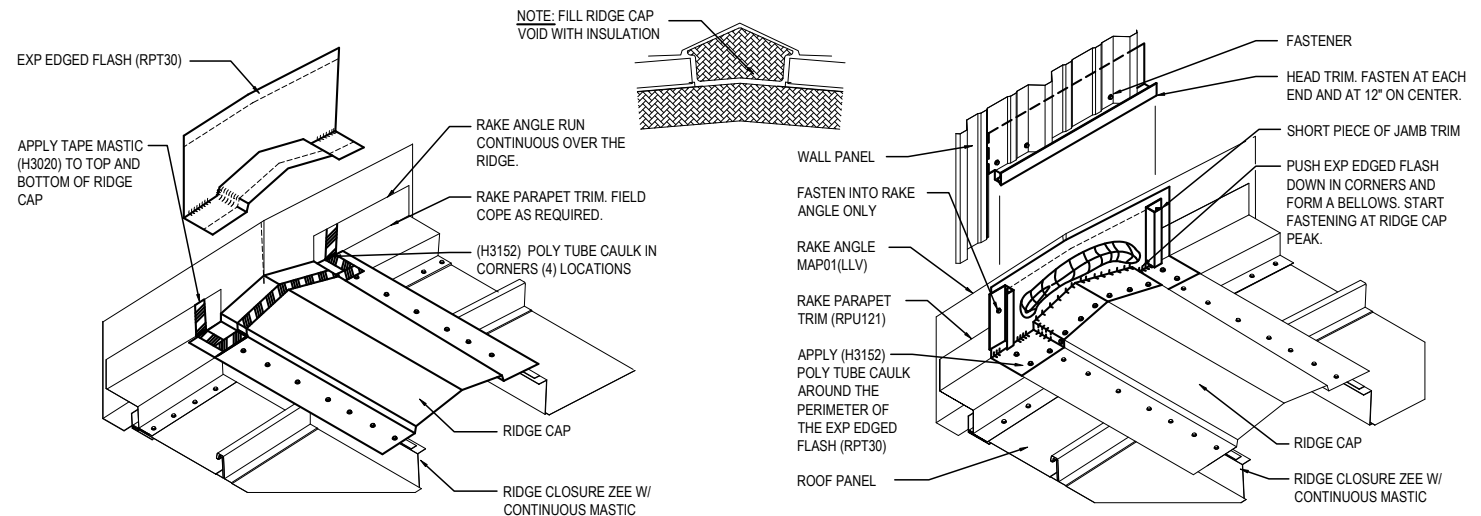
START BY RUNNING THE RAKE PARAPET ANGLE (MAP01) TO THE CENTERLINE OF RIDGE. (LOW SLOPE)
ON HIGHER SLOPE BUILDINGS, RUN PARAPET ANGLE PAST RIDGE AND COPE BOTTOM LEG SO THAT THERE IS NOT A LARGE GAP ON THE BACK OF THE RAKE ANGLE.
EXTEND THE RAKE PARAPET TRIM (RPU121) 2" PAST THE ZEE CLOSURE. TAB RAKE PARAPET TRIM INTO THE ZEE CLOSURE AS SHOWN.
START THE RIDGE CAP A MAXIMUM OF 1/2" FROM THE FACE OF THE WALL AS SHOWN IN THE DETAIL BELOW.
BEFORE SETTING THE RIDGE CAP, PLACE A PIECE OF 3/4" TAPE MASTIC (H3000) BETWEEN THE RIDGE CAP AND THE RAKE TRIM. RIDGE CAP MUST BE PROPERLY POSITIONED BEFORE TOUCHING THE MASTIC AND TUBE CAULK. MASTIC CANNOT BE REUSED.
CENTER THE RIDGE CAP OVER THE RIDGE CLOSURE ZEES/VENT MATERIAL AND FASTEN WITH (3) RIDGE CAP COLORED SELF-DRILLING SCREWS (H1030) PER PANEL WIDTH. (2" FROM EACH RIB AND 6" O/C IN BETWEEN).



CLOSING OFF THE PARAPET AND RIDGE CAP

STEP 2

TO INSTALL THE EXPANDABLE EDGED FLASH (RPT30), APPLY 2 1/4" TAPE MASTIC (H3020) TO RIDGE CAP AS SHOWN.
NEXT APPLY GENEROUS BEAD OF POLYURETHANE TUBE CAULK (H3152) TO THE CORNERS RIDGE CAP. FORM THE EXPANDABLE EDGED FLASH PIECE TO SHAPE OF THE PARAPET TRIM & RIDGE CAP, CENTER OVER THE RIDGE CAP. NEXT, PUSH EXPANDABLE EDGED FLASH TIGHT INTO CORNERS AND FORM A BELLOWS IN THE CENTER OF THE FLASH AS SHOWN. FASTEN WITH (14) TRIM-COLORED SELF-DRILLING SCREWS (H1050). DO NOT FASTEN INTO THE PARAPET TRIM.
NEXT, TAKE SHORT PIECES OF JAMB TRIM AND PLACE ON EACH SIDE OF THE EXPANDABLE EDGED FLASH. FASTEN INTO THE RAKE ANGLE WITH ONE TRIM-COLORED SELF-DRILLING SCREW (H1050) AS SHOWN. TAKE A PIECE OF HEAD TRIM AND FIELD TAB INTO JAMB TRIM. FASTEN WITH TRIM-COLORED SELF-DRILLING SCREWS (H1050). CAULK THE PERIMETER OF THE EXPANDABLE EDGED FLASH (RPT30) WITH POLYURETHANE TUBE CAULK (H3152).



NOTES:
ON HIGHER SLOPE BUILDINGS, TAPER MASTIC BACK FROM HIGH POINT OF RIDGE CAP AS SHOWN. TAPER EXPANDABLE EDGED FLASH OVER TOP OF TAPE MASTIC AS WELL. FASTENERS INTO MASONRY AND COUNTER FLASH BY OTHERS. FIELD WORK RAKE PARAPET TRIMS TO ENSURE WEATHER TIGHTNESS AS REQUIRED ON ALL BUILDINGS.

WALL PANEL TYPE	JAMB TRIM	HEAD TRIM
R-PANEL	JTA087	HTA044
A-PANEL	JTA087	HTA044
REV R-PANEL	JTD087	HTA044
IMP	JHI_	JHI_

PEAK TRANSITION TO PARAPET TRIM AT RIDGE

TRANSITION AT PEAK TO WALL PANEL ABOVE. MASONRY AND INSULATED PANEL SIM. SEE ADDITIONAL DETAILS FOR TRIM REQUIREMENTS.

EG7331

Detailer Notes:

1) N/A

EG7340 - VENTED RIDGE CAP WITH METAL PEAK BOX INSTALLATION (CBC)

[Download the DWG file by clicking here.](#)

METAL PEAK BOX PREPARATION

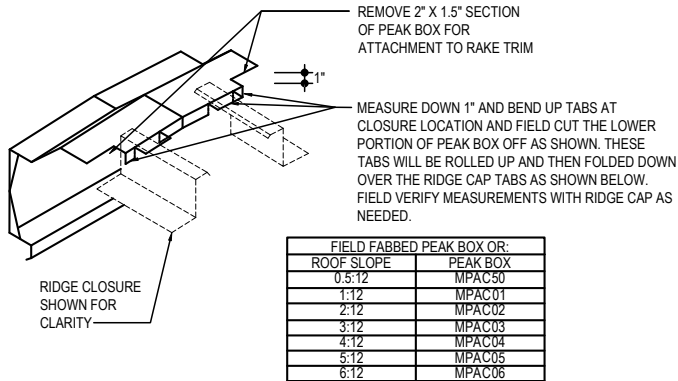
**PEAK BOX PREPARATION
STEP 1**

PRIOR TO INSTALLING THE FIRST OR LAST PIECE OF RIDGE CAP, THE PEAK BOX AND PEAK PLATE NEED TO BE PREPPED AND DRY-FIT TO ENSURE PROPER FIT UP.

PEAK BOX PREPARATION

NEXT APPLY A BEAD OF POLYURETHANE TUBE CAULK (H3152) ON THE UNDERSIDE OF THE PEAK BOX WHERE ANY GAPS MAY BE PRESENT.

FIELD NOTCH THE BACK OF THE PEAK BOX TO MATCH THE PROFILE OF THE RIDGE CAP.

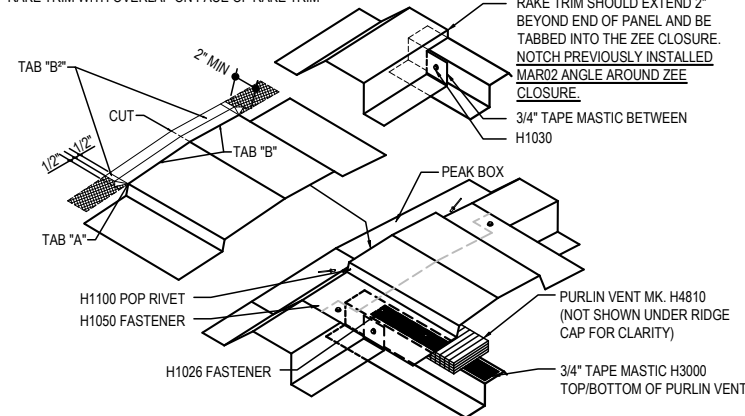


**RIDGE CAP & RAKE TRIM PREPARATION
STEP 2**

TERMINATE RAKE TRIM INTO THE ZEE CLOSURE AS SHOWN BELOW.

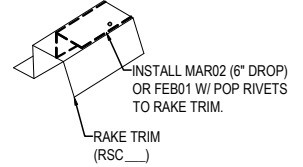
AT RIDGE TERMINATION MARK 2" FROM EDGE OF RIDGE CAP AND CUT AND REMOVE HATCHED AREA ALONG EDGE STOPPING AT FLAT SHOWN IN TAB "A". FLATTEN AT TAB "A" AS SHOWN. AT TAB "B" BEND DOWN 90° TO FORM A CAP. AT TAB "B" BEND OUT MIMICKING PEAK BOX SLOPE. ATTACH (2) H1100 POP RIVETS TO HOLD TABBED SECTION AND TAB "B" SECTION AT 90°. APPLY POLYURETHANE TUBE CAULK (H3152) TO THE BACKSIDE OF ALL TABS AND OVERLAPS ON FORMED RIDGE CAP FOR SEAL BEFORE PLACING ON PEAK BOX.

ROLL THE PEAK BOX OVER THE RAKE TRIM AND BEND END OF RAKE TRIM TO ALLOW RIDGE CAP TO SET FLUSH OVER RAKE TRIM WITH OVERLAP ON FACE OF RAKE TRIM



**MAR02 ATTACHMENT TO RAKE WITH POP RIVETS
STEP 3**

USE A PIECE OF MAR02 OR FEB01 DROP ATTACHED TO UNDERSIDE OF THE RAKE TRIM ON BOTH SIDES OF RIDGE W/ (4) H1100 POP RIVETS. THIS WILL ACT AS BACKER TO FASTEN RIDGE CAP INTO RAKE. AVOID PINNING PEAK BOX WITH FASTENER. KEEP RIVETS WITHIN THE COVERAGE AREA OF THE RIDGE CAP TO ENSURE WEATHER TIGHTNESS.



**METAL PEAK BOX & RIDGE CAP INSTALLATION AT STANDARD RAKE TRIM
STEP 4**

PLACE A BEAD OF POLYURETHANE TUBE CAULK (H3152) ON THE RIDGE CAP WHERE IT WILL CONTACT THE RAKE TRIM.

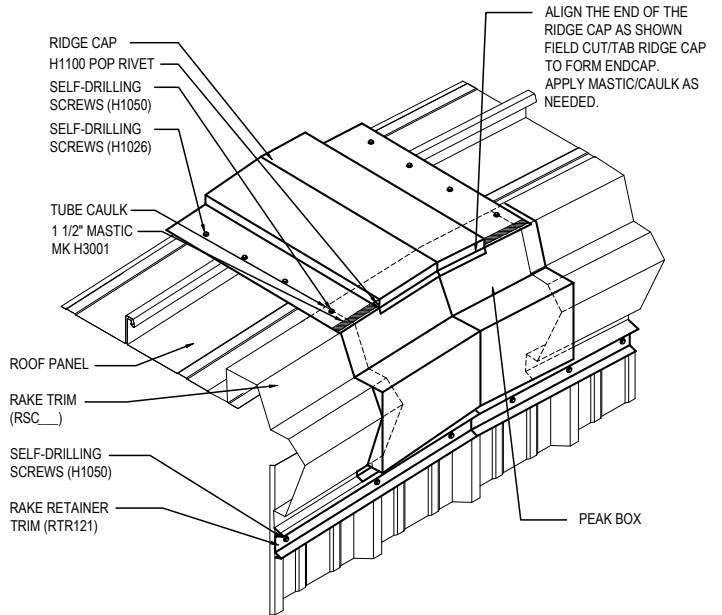
CENTER THE RIDGE CAP OVER THE CLOSURES AND TIGHTLY AGAINST THE TOP OF THE PEAK BOX. BE SURE THAT THE EDGE OF THE RIDGE CAP IS FLUSH WITH THE SLOPED FACE.

NEXT, MAKE SURE THE TABS OF THE PEAK BOX ARE FOLDED HORIZONTAL WITH THE TOP FACE OF PEAK BOX..

APPLY A CONTINUOUS BEAD OF POLYURETHANE TUBE CAULK (H3152) ON THE UNDERSIDE OF THE PEAK BOX WHERE IT WILL COME INTO CONTACT WITH THE RAKE TRIMS.

PLACE A BEAD OF POLYURETHANE TUBE CAULK (H3152) BETWEEN CUT SECTION ON THE RIDGE CAP. ALSO APPLY POLYURETHANE TUBE CAULK (H3152) ON TABBED SECTIONS WHERE PEAK BOX WILL FIT.

CENTER THE PREPARED PEAK BOX AT THE RIDGE OVER THE RAKE TRIM WHILE SLIDING UNDER THE UPPER PORTION OF THE RIDGE CAP. THE TABS OF PEAK BOX SHOULD ATTACH TO THE FACE OF THE CLOSURE ZEE AND ATTACH WITH TRIM COLORED SELF-DRILLING SCREWS (H1050). ENSURE THAT ALL PLYS OF METAL ARE SEALED WITH POLYURETHANE TUBE CAULK (H3152) AND 1 1/2" MASTIC (H3001) ACROSS FRONT EDGE OF PEAK BOX BEFORE RIDGE TRIM ATTACHMENT TO ENSURE WEATHER TIGHT SEAL.



VENTED RIDGE CAP WITH METAL PEAK BOX INSTALLATION

DETAIL SHOWN WITH ROOF AND WALL PANEL

EG7340

Detailer Notes:

1) N/A

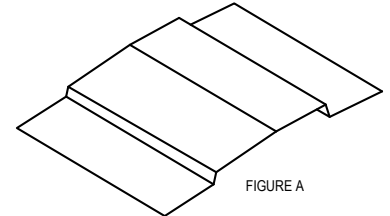
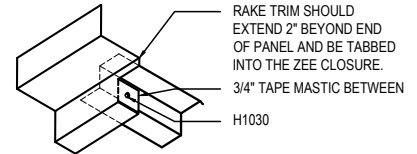
EG7341 - PEAK TRANSITION TO PARAPET AT VENTED RIDGE

[Download the DWG file by clicking here.](#)

PARAPET PEAK TRANSITION

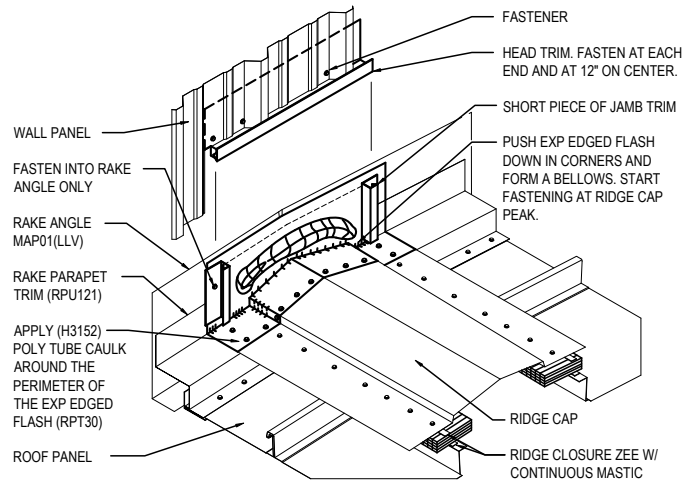
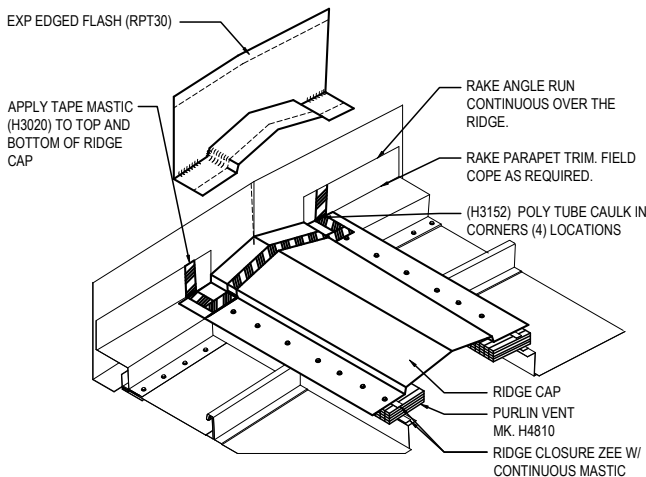
**PREPERATION AND ASSEMBLING RIDGE CAP
STEP 1**

START BY RUNNING THE RAKE PARAPET ANGLE (MAP01) TO THE CENTERLINE OF RIDGE. (LOW SLOPE)
ON HIGHER SLOPE BUILDINGS, RUN PARAPET ANGLE PAST RIDGE AND COPE BOTTOM LEG SO THAT THERE IS NOT A LARGE GAP ON THE BACK OF THE RAKE ANGLE.
EXTEND THE RAKE PARAPET TRIM (RPU121) 2" PAST THE ZEE CLOSURE. TAB RAKE PARAPET TRIM INTO THE ZEE CLOSURE AS SHOWN.
START THE RIDGE CAP A MAXIMUM OF 1/2" FROM THE FACE OF THE WALL AS SHOWN IN THE DETAIL BELOW.
BEFORE SETTING THE RIDGE CAP, PLACE A PIECE OF 3/4" TAPE MASTIC (H3000) BETWEEN THE RIDGE CAP AND THE RAKE TRIM. RIDGE CAP MUST BE PROPERLY POSITIONED BEFORE TOUCHING THE MASTIC AND TUBE CAULK. MASTIC CANNOT BE REUSED.
CENTER THE RIDGE CAP OVER THE RIDGE CLOSURE ZEES/VENT MATERIAL AND FASTEN WITH (3) RIDGE CAP COLORED SELF-DRILLING SCREWS (H1030) PER PANEL WIDTH. (2" FROM EACH RIB AND 6" O/C IN BETWEEN).



**CLOSING OFF THE PARAPET AND RIDGE CAP
STEP 2**

TO INSTALL THE EXPANDABLE EDGED FLASH (RPT30), APPLY 2 1/4" TAPE MASTIC (H3020) TO RIDGE CAP AS SHOWN.
NEXT APPLY GENEROUS BEAD OF POLYURETHANE TUBE CAULK (H3152) TO THE CORNERS RIDGE CAP. FORM THE EXPANDABLE EDGED FLASH PIECE TO SHAPE OF THE PARAPET TRIM & RIDGE CAP, CENTER OVER THE RIDGE CAP. NEXT, PUSH EXPANDABLE EDGED FLASH TIGHT INTO CORNERS AND FORM A BELLOWS IN THE CENTER OF THE FLASH AS SHOWN. FASTEN WITH (14) TRIM-COLORED SELF-DRILLING SCREWS (H1050). DO NOT FASTEN INTO THE PARAPET TRIM.
NEXT, TAKE SHORT PIECES OF JAMB TRIM AND PLACE ON EACH SIDE OF THE EXPANDABLE EDGED FLASH. FASTEN INTO THE RAKE ANGLE WITH ONE TRIM-COLORED SELF-DRILLING SCREW (H1050) AS SHOWN. TAKE A PIECE OF HEAD TRIM AND FIELD TAB INTO JAMB TRIM. FASTEN WITH TRIM-COLORED SELF-DRILLING SCREWS (H1050). CAULK THE PERIMETER OF THE EXPANDABLE EDGED FLASH (RPT30) WITH POLYURETHANE TUBE CAULK (H3152).



NOTES:
ON HIGHER SLOPE BUILDINGS, TAPER MASTIC BACK FROM HIGH POINT OF RIDGE CAP AS SHOWN. TAPER EXPANDABLE EDGED FLASH OVER TOP OF TAPE MASTIC AS WELL. FASTENERS INTO MASONRY AND COUNTER FLASH BY OTHERS. FIELD WORK RAKE PARAPET TRIMS TO ENSURE WEATHER TIGHTNESS AS REQUIRED ON ALL BUILDINGS.

WALL PANEL TYPE	JAMB TRIM	HEAD TRIM
R-PANEL	JTA087	HTA044
A-PANEL	JTA087	HTA044
REV R-PANEL	JTD087	HTA044
IMP	JHI_	JHI_

PEAK TRANSITION TO PARAPET TRIM AT VENTED RIDGE

TRANSITION AT PEAK TO WALL PANEL ABOVE. MASONRY AND INSULATED PANEL SIM. SEE ADDITIONAL DETAILS FOR TRIM REQUIREMENTS.

EG7341

Detailer Notes:

1) N/A

EG7630 - RIDGE CAP WITH METAL PEAK BOX INSTALLATION

[Download the DWG file by clicking here.](#)

METAL PEAK BOX AND PEAK PLATE PREPARATION

PEAK BOX PREPARATION

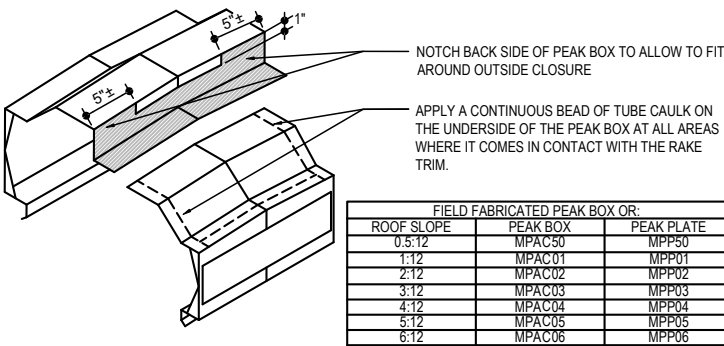
STEP 1

ERECTOR NOTE:

PRIOR TO INSTALLING THE FIRST OR LAST PIECE OF RIDGE CAP, THE PEAK BOX AND PEAK PLATE NEED TO BE INSTALLED.

PEAK BOX

START BY FIELD CUTTING THE BACK LEG OF THE PEAK BOX OFF AS SHOWN BELOW. NEXT APPLY A CONTINUOUS BEAD OF POLYURETHANE TUBE CAULK (H3152) ON THE UNDERSIDE OF THE PEAK BOX WHERE IT COMES IN CONTACT WITH THE RAKE TRIMS. APPLY POLYURETHANE TUBE CAULK (H3152) TO ANY GAPS ON THE UNDERSIDE OF THE PEAK BOX IN THE MITERED AREA.

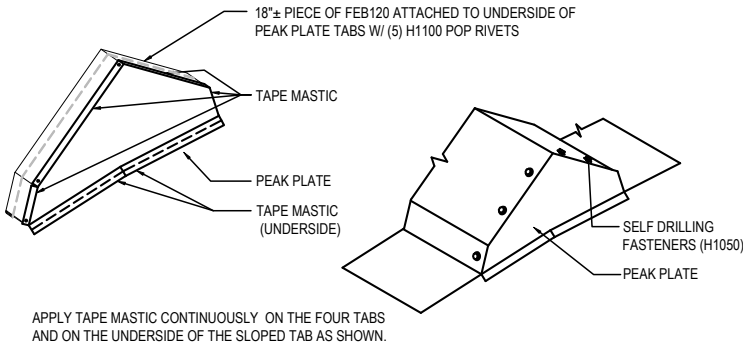


FIELD FABRICATED PEAK BOX OR:		
ROOF SLOPE	PEAK BOX	PEAK PLATE
0.5:12	MPAC50	MPP50
1:12	MPAC01	MPP01
2:12	MPAC02	MPP02
3:12	MPAC03	MPP03
4:12	MPAC04	MPP04
5:12	MPAC05	MPP05
6:12	MPAC06	MPP06

PEAK PLATE WITH RIDGE CAP PREPARATION

STEP 2

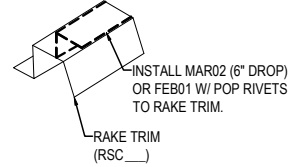
START BY ATTACHING A PIECE OF FEB120 TO THE PEAK PLATE WITH POP RIVETS AS A BACKER FOR RIDGE CAP ATTACHMENT. APPLY A CONTINUOUS STRIP OF 1 1/2" TAPE MASTIC (H3001) TO THE TOP OF THE FOUR TABS AND THE UNDERSIDE OF THE SLOPED TAB AS SHOWN. NEXT PLACE THE PEAK PLATE INSIDE OF THE RIDGE CAP AND FASTEN WITH (6) TRIM COLORED (H1050) FASTENERS.



MAR02 ATTACHMENT TO RAKE WITH POP RIVETS

STEP 3

USE A PIECE OF MAR02 OR FEB01 DROP ATTACHED TO UNDERSIDE OF THE RAKE TRIM ON BOTH SIDES OF RIDGE W/ (4) H1100 POP RIVETS. THIS WILL ACT AS BACKER TO FASTEN RIDGE CAP INTO RAKE. AVOID PINNING PEAK BOX WITH FASTENER. KEEP RIVETS WITHIN THE COVERAGE AREA OF THE RIDGE CAP TO ENSURE WEATHER TIGHTNESS.



METAL PEAK BOX & PEAK PLATE INSTALLATION AT STANDARD RAKE TRIM

STEP 4

CENTER THE PREPARED PEAK BOX OVER THE RIDGE. ONCE CENTERED, PUSH THE PEAK BOX DOWN AND OVER THE RAKE TRIMS. MAKE SURE THE BACK LIP OF THE PEAK BOX IS BETWEEN THE OUTSIDE PANEL CLOSURE AND THE RAKE TRIM. TO ACHIEVE THIS YOU MAY NEED TO BACK OUT THE FASTENER ON THE OUTSIDE PANEL CLOSURE TAB AND THEN RE-INSTALL.FINISH INSTALLING THE RAKE RETAINER TRIM OVER THE PEAK BOX.

INSTALL CONTINUOUS 1 1/2" TAPE MASTIC (H3001) ALONG THE TOP OF THE OUTSIDE PANEL CLOSURE ON BOTH SIDES OF THE RIDGE. REMOVE THE PAPER BACKING ONLY AS WORK PROGRESSES.

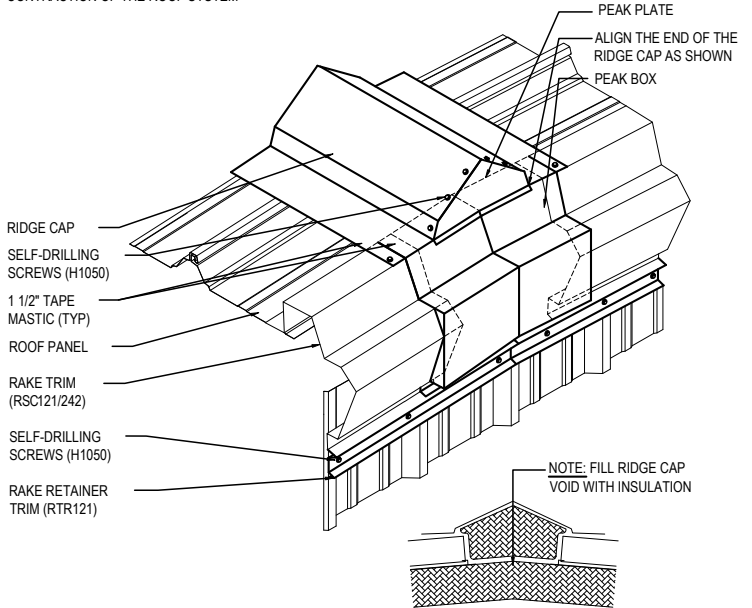
AFTER THE PEAK BOX IS IN PLACE, EXTEND THE 1 1/2" TAPE MASTIC (H3001) FROM THE OUTSIDE PANEL CLOSURE TO THE SLOPED FACE TO THE PEAK BOX. NEXT, INSTALL SHORT PIECES OF 1 1/2" TAPE MASTIC (H3001) TO THE FLAT PORTION OF THE RIDGE CAP (AS SHOWN).

CENTER THE PREPARED SECTION OF RIDGE CAP OVER THE OUTSIDE PANEL CLOSURE/VENT MATERIAL AND FASTEN WITH (5) RIDGE CAP COLORED SELF-DRILLING SCREWS (H1026) PER PANEL WIDTH. (2' FROM EACH RIB AND 5' O/C IN BETWEEN). BE SURE THAT THE EDGE OF THE RIDGE CAP IS FLUSH WITH THE SLOPED FACE.

START THE RIDGE CAP FLUSH WITH THE SLOPED EDGE OF THE RAKE TRIM AS SHOWN IN THE DETAIL BELOW.

RIDGE CAP MUST BE PROPERLY POSITIONED BEFORE TOUCHING THE MASTIC. MASTIC CANNOT BE REUSED.

DO NOT PLACE ANY FASTENERS IN THE PEAK BOX. THE H1050 SCREWS INSTALLED IN STEP 2 WILL PIERCE THE VENT(NOT SHOWN FOR CLARITY). DOING SO WILL NOT ALLOW THE RAKE TRIM TO 'FLOAT' WITH THE EXPANSION AND CONTRACTION OF THE ROOF SYSTEM



RIDGE CAP WITH METAL PEAK BOX INSTALLATION

DETAIL SHOWN WITH ROOF AND WALL PANEL.

EG7630

Detailer Notes:

1) N/A

EG7631 PARAPET AT RIDGE (TRAPEZOIDAL RIB)

[Download the DWG file by clicking here.](#)

PARAPET PEAK TRANSITION

**PREPARATION AND ASSEMBLING RIDGE CAP
STEP 1**

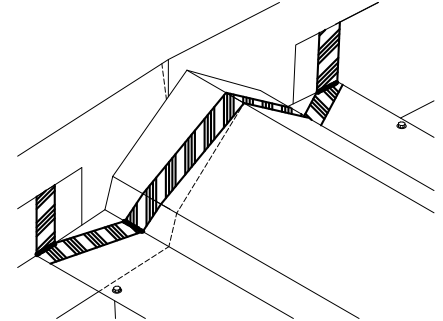
START BY RUNNING THE **RAKE PARAPET ANGLE (MAP01)** TO THE CENTERLINE OF RIDGE. (LOW SLOPE)

ON HIGHER SLOPE BUILDINGS, RUN PARAPET ANGLE PAST RIDGE AND COPE BOTTOM LEG SO THAT THERE IS NOT A LARGE GAP ON THE BACK OF THE RAKE ANGLE.

EXTEND THE **RAKE PARAPET TRIM (RPU121)** FLUSH WITH THE END OF THE ROOF PANEL.

START THE RIDGE CAP FLUSH WITH THE FACE OF THE RAKE TRIM AS SHOWN IN THE DETAIL BELOW. CENTER THE RIDGE CAP OVER THE OUTSIDE PANEL CLOSURE AND FASTEN WITH (5) RIDGE CAP COLORED SELF-DRILLING SCREWS (H1050) PER PANEL WIDTH. (2" FROM EACH RIB AND 5" O/C IN BETWEEN).

RIDGE CAP MUST BE PROPERLY POSITIONED BEFORE TOUCHING THE MASTIC. **MASTIC CANNOT BE REUSED.**

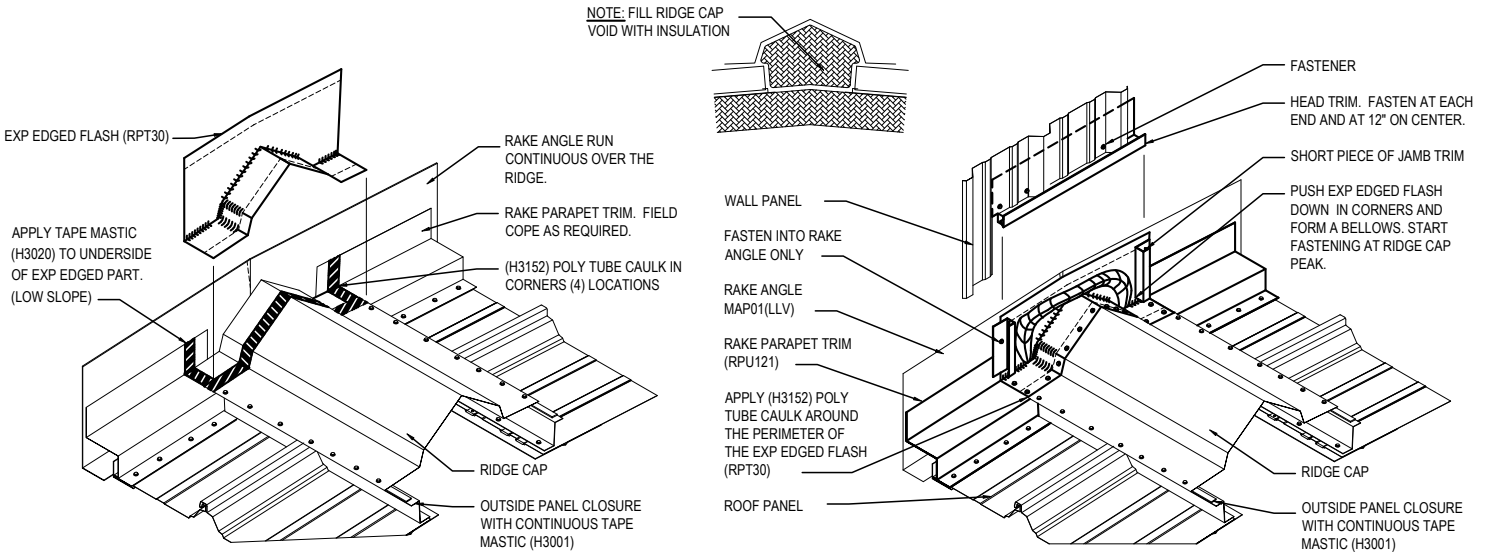


HIGH SLOPE MASTIC DETAIL TAPER MASTIC BACK TO CORNER OF THE PARAPET TRIM AS SHOWN

**CLOSING OFF THE PARAPET AND RIDGE CAP
STEP 2**

TO INSTALL THE **EXPANDABLE EDGED FLASH (RPT30)** APPLY 2 1/4" **TAPE MASTIC (H3020)** TO RAKE PARAPET TRIM AS SHOWN. NEXT, APPLY GENEROUS BEAD OF **POLYURETHANE TUBE CAULK (H3152)** TO THE CORNERS RAKE PARAPET TRIM. FORM THE FLEXIBLE MEMBRANE PIECE TO SHAPE OF THE PARAPET TRIM & RIDGE CAP. NEXT, PUSH EXPANDABLE EDGED FLASH TIGHT INTO CORNERS AND FORM A BELLOWS IN THE CENTER OF THE FLASH AS SHOWN. FASTEN WITH (14) TRIM-COLORED **SELF-DRILLING SCREWS (H1050)**. DO NOT FASTEN INTO THE PARAPET TRIM.

NEXT, TAKE SHORT PIECES OF JAMB TRIM AND PLACE ON EACH SIDE OF THE EXPANDABLE EDGED FLASH. FASTEN INTO THE RAKE ANGLE WITH ONE TRIM-COLORED **SELF-DRILLING SCREW (H1050)** AS SHOWN. TAKE A PIECE OF HEAD TRIM AND FIELD TAB INTO JAMB TRIM. FASTEN WITH TRIM-COLORED **SELF-DRILLING SCREWS (H1050)**. CAULK THE PERIMETER OF THE **EXPANDABLE EDGED FLASH (RPT30)** WITH **POLYURETHANE TUBE CAULK (H3152)**.



NOTES:
ON HIGHER SLOPE BUILDINGS, TAPER MASTIC BACK FROM HIGH POINT OF RIDGE CAP AS SHOWN. TAPER EXPANDABLE EDGED FLASH OVER TOP OF TAPE MASTIC AS WELL. FASTENERS INTO MASONRY AND COUNTER FLASH BY OTHERS. FIELD WORK RAKE PARAPET TRIMS TO ENSURE WEATHER TIGHTNESS AS REQUIRED ON ALL BUILDINGS.

WALL PANEL TYPE	JAMB TRIM	HEAD TRIM
R-PANEL	JTA087	HTA044
A-PANEL	JTA087	HTA044
REV R-PANEL	JTD087	HTA044
IMP	JHI_	JHI_

PEAK TRANSITION TO PARAPET TRIM AT RIDGE

TRANSITION AT PEAK TO WALL PANEL ABOVE. MASONRY AND INSULATED PANEL SIM. SEE ADDITIONAL DETAILS FOR TRIM REQUIREMENTS.

EG7631

Detailer Notes:

1) N/A

EG7640 - VENTED RIDGE CAP WITH METAL PEAK BOX INSTALLATION (CBC)

[Download the DWG file by clicking here.](#)

METAL PEAK BOX AND PEAK PLATE PREPARATION

PEAK BOX PREPARATION

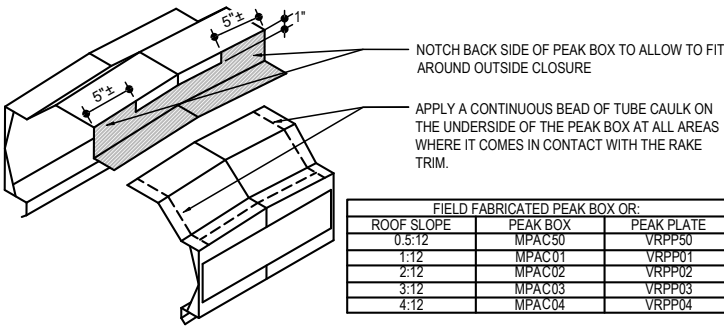
STEP 1

ERECTOR NOTE:

PRIOR TO INSTALLING THE FIRST OR LAST PIECE OF RIDGE CAP, THE PEAK BOX AND PEAK PLATE NEED TO BE INSTALLED.

PEAK BOX

START BY FIELD CUTTING THE BACK LEG OF THE PEAK BOX OFF AS SHOWN BELOW. NEXT APPLY A CONTINUOUS BEAD OF POLYURETHANE TUBE CAULK (H3152) ON THE UNDERSIDE OF THE PEAK BOX WHERE IT COMES IN CONTACT WITH THE RAKE TRIMS. APPLY POLYURETHANE TUBE CAULK (H3152) TO ANY GAPS ON THE UNDERSIDE OF THE PEAK BOX IN THE MITERED AREA.

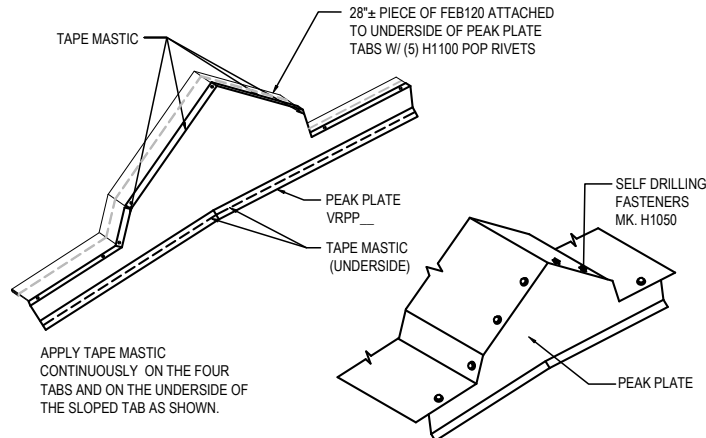


FIELD FABRICATED PEAK BOX OR:		
ROOF SLOPE	PEAK BOX	PEAK PLATE
0.5:12	MPAC00	VRPP00
1:12	MPAC01	VRPP01
2:12	MPAC02	VRPP02
3:12	MPAC03	VRPP03
4:12	MPAC04	VRPP04

PEAK PLATE WITH RIDGE CAP PREPARATION

STEP 2

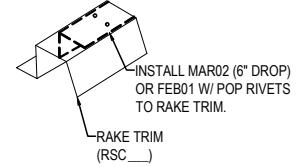
START BY ATTACHING A PIECE OF FEB120 TO THE PEAK PLATE WITH POP RIVETS AS A BACKER FOR RIDGE CAP ATTACHMENT. APPLY A CONTINUOUS STRIP OF 1 1/2" TAPE MASTIC (H3001) TO THE TOP OF THE SIX TABS AND THE UNDERSIDE OF THE SLOPED TAB AS SHOWN. NEXT PLACE THE PEAK PLATE INSIDE OF THE RIDGE CAP AND FASTEN WITH (8) TRIM COLORED (H1050) FASTENERS.



MAR02 ATTACHMENT TO RAKE WITH POP RIVETS

STEP 3

USE A PIECE OF MAR02 OR FEB01 DROP ATTACHED TO UNDERSIDE OF THE RAKE TRIM ON BOTH SIDES OF RIDGE W/ (4) H1100 POP RIVETS. THIS WILL ACT AS BACKER TO FASTEN RIDGE CAP INTO RAKE. AVOID PINNING PEAK BOX WITH FASTENER. KEEP RIVETS WITHIN THE COVERAGE AREA OF THE RIDGE CAP TO ENSURE WEATHER TIGHTNESS.



METAL PEAK BOX & PEAK PLATE INSTALLATION AT STANDARD RAKE TRIM

STEP 4

CENTER THE PREPARED PEAK BOX OVER THE RIDGE. ONCE CENTERED, PUSH THE PEAK BOX DOWN AND OVER THE RAKE TRIMS. MAKE SURE THE BACK LIP OF THE PEAK BOX IS BETWEEN THE OUTSIDE PANEL CLOSURE AND THE RAKE TRIM. TO ACHIEVE THIS YOU MAY NEED TO BACK OUT THE FASTENER ON THE OUTSIDE PANEL CLOSURE TAB AND THEN RE-INSTALL.FINISH INSTALLING THE RAKE RETAINER TRIM OVER THE PEAK BOX.

INSTALL CONTINUOUS 1 1/2" TAPE MASTIC (H3001) ALONG THE TOP OF THE OUTSIDE PANEL CLOSURE ON BOTH SIDES OF THE RIDGE. REMOVE THE PAPER BACKING ONLY AS WORK PROGRESSES.

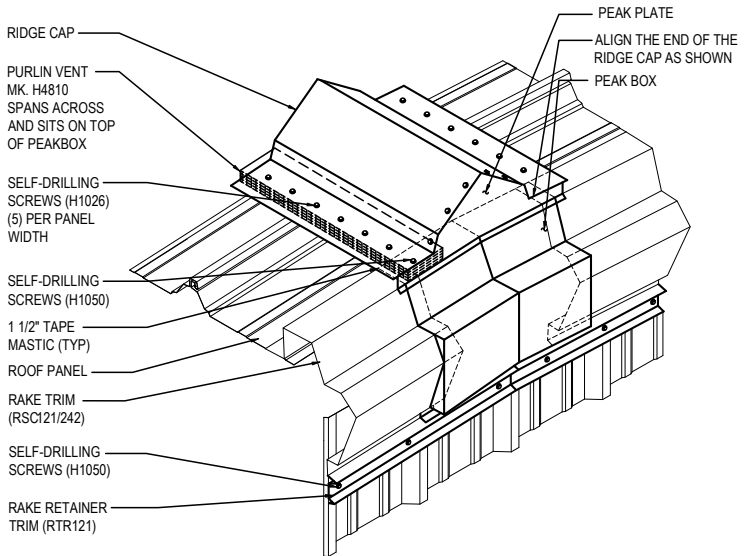
AFTER THE PEAK BOX IS IN PLACE, EXTEND THE 1 1/2" TAPE MASTIC (H3001) FROM THE OUTSIDE PANEL CLOSURE TO THE SLOPED FACE TO THE PEAK BOX. NEXT, INSTALL SHORT PIECES OF 1 1/2" TAPE MASTIC (H3001) TO THE FLAT PORTION OF THE RIDGE CAP (AS SHOWN).

CENTER THE PREPARED SECTION OF RIDGE CAP OVER THE OUTSIDE PANEL CLOSURE/VENT MATERIAL AND FASTEN WITH (5) RIDGE CAP COLORED SELF-DRILLING SCREWS (H1026) PER PANEL WIDTH. (2" FROM EACH RIB AND 5" O/C IN BETWEEN). BE SURE THAT THE EDGE OF THE RIDGE CAP IS FLUSH WITH THE SLOPED FACE.

START THE RIDGE CAP FLUSH WITH THE SLOPED EDGE OF THE RAKE TRIM AS SHOWN IN THE DETAIL BELOW.

RIDGE CAP MUST BE PROPERLY POSITIONED BEFORE TOUCHING THE MASTIC. MASTIC CANNOT BE REUSED.

DO NOT PLACE ANY FASTENERS IN THE PEAK BOX. THE H1050 SCREWS INSTALLED IN STEP 2 WILL PIERCE THE VENT(NOT SHOWN FOR CLARITY). DOING SO WILL NOT ALLOW THE RAKE TRIM TO "FLOAT" WITH THE EXPANSION AND CONTRACTION OF THE ROOF SYSTEM



VENTED RIDGE CAP WITH METAL PEAK BOX INSTALLATION

DETAIL SHOWN WITH ROOF AND WALL PANEL

EG7640

Detailer Notes:

1) N/A

EG7641 - PARAPET AT VENTED RIDGE (TRAPEZOIDAL RIB)

[Download the DWG file by clicking here.](#)

PARAPET PEAK TRANSITION

PREPERATION AND ASSEMBLING RIDGE CAP
STEP 1

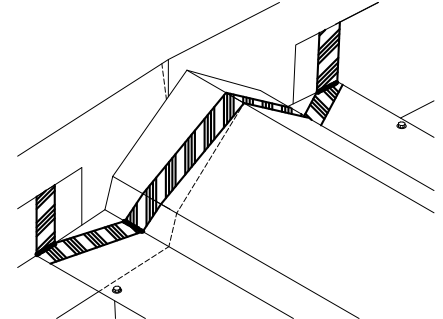
START BY RUNNING THE RAKE PARAPET ANGLE (MAP01) TO THE CENTERLINE OF RIDGE. (LOW SLOPE)

ON HIGHER SLOPE BUILDINGS, RUN PARAPET ANGLE PAST RIDGE AND COPE BOTTOM LEG SO THAT THERE IS NOT A LARGE GAP ON THE BACK OF THE RAKE ANGLE.

EXTEND THE RAKE PARAPET TRIM (RPU121) FLUSH WITH THE END OF THE ROOF PANEL.

START THE RIDGE CAP FLUSH WITH THE FACE OF THE RAKE TRIM AS SHOWN IN THE DETAIL BELOW. CENTER THE RIDGE CAP OVER THE OUTSIDE PANEL CLOSURE AND FASTEN WITH (5) RIDGE CAP COLORED SELF-DRILLING SCREWS (H1050) PER PANEL WIDTH. (2" FROM EACH RIB AND 5" O/C IN BETWEEN).

RIDGE CAP MUST BE PROPERLY POSITIONED BEFORE TOUCHING THE MASTIC. MASTIC CANNOT BE REUSED.

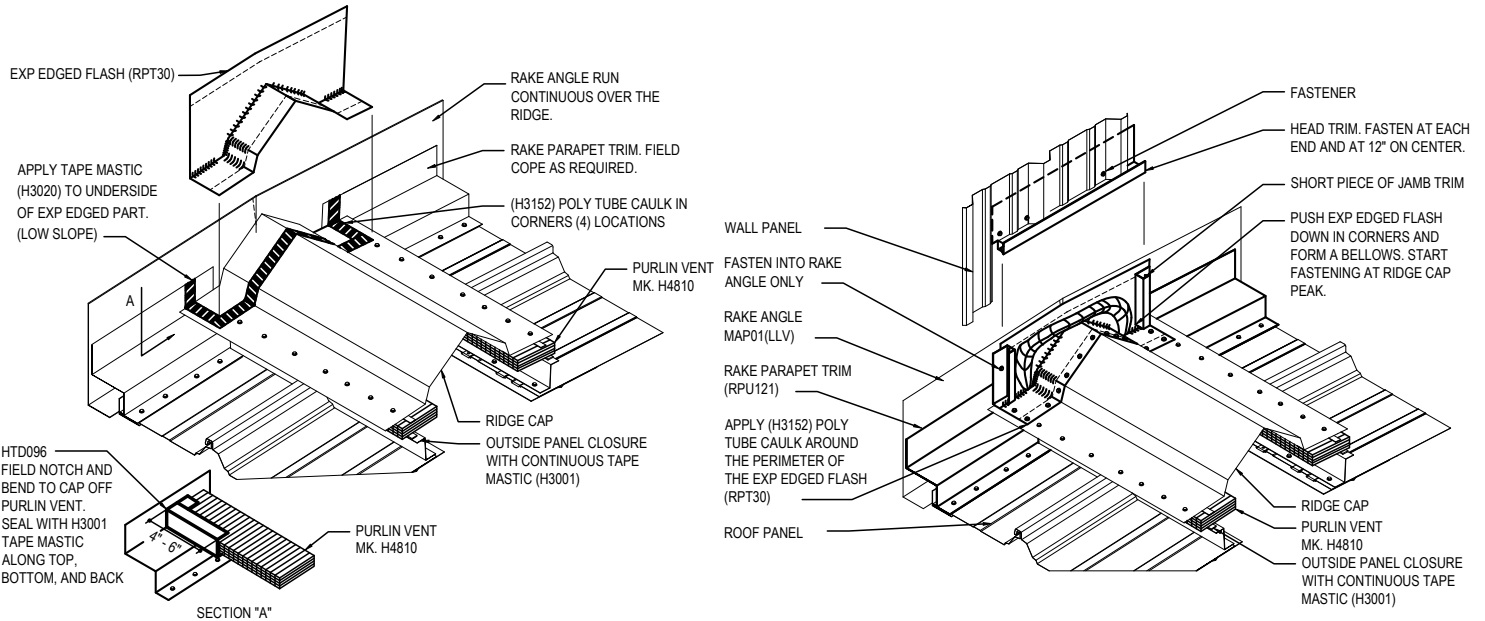


HIGH SLOPE MASTIC DETAIL TAPER MASTIC BACK TO CORNER OF THE PARAPET TRIM AS SHOWN

CLOSING OFF THE PARAPET AND RIDGE CAP
STEP 2

TO INSTALL THE EXPANDABLE EDGED FLASH, (RPT30) APPLY 2 1/2" TAPE MASTIC (H3020) TO RAKE PARAPET TRIM AS SHOWN. NEXT, APPLY GENEROUS BEAD OF POLYURETHANE TUBE CAULK (H3152) TO THE CORNERS RAKE PARAPET TRIM. FORM THE FLEXIBLE MEMBRANE PIECE TO SHAPE OF THE PARAPET TRIM & RIDGE CAP. CENTER THE OVER THE RIDGE CAP. NEXT, PUSH EXPANDABLE EDGED FLASH TIGHT INTO CORNERS AND FORM A BELLOWS IN THE CENTER OF THE FLASH AS SHOWN. FASTEN WITH (14) TRIM-COLORED SELF-DRILLINGSCREWS (6 - H1026 IN THE FLATS AND 8 - H1050 ABOVE THE STEP ON THE RIDGE CAP). DO NOT FASTEN INTO THE PARAPET TRIM.

NEXT, TAKE SHORT PIECES OF JAMB TRIM AND PLACE ON EACH SIDE OF THE EXPANDABLE EDGED FLASH. FASTEN INTO THE RAKE ANGLE WITH ONE TRIM-COLORED SELF-DRILLING SCREW (H1050) AS SHOWN. TAKE A PIECE OF HEAD TRIM AND FIELD TAB INTO JAMB TRIM. FASTEN WITH TRIM-COLORED SELF-DRILLING SCREWS (H1050). CAULK THE PERIMETER OF THE EXPANDABLE EDGED FLASH (RPT30) WITH POLYURETHANE TUBE CAULK (H3152).



NOTES:
ON HIGHER SLOPE BUILDINGS, TAPER MASTIC BACK FROM HIGH POINT OF RIDGE CAP AS SHOWN. TAPER EXPANDABLE EDGED FLASH OVER TOP OF TAPE MASTIC AS WELL. FASTENERS INTO MASONRY AND COUNTER FLASH BY OTHERS. FIELD WORK RAKE PARAPET TRIMS TO ENSURE WEATHER TIGHTNESS AS REQUIRED ON ALL BUILDINGS.

WALL PANEL TYPE	JAMB TRIM	HEAD TRIM
R-PANEL	JTA087	HTA044
A-PANEL	JTA087	HTA044
REV R-PANEL	JTD087	HTA044
IMP	JHI_	JHI_

PEAK TRANSITION TO PARAPET TRIM AT VENTED RIDGE

TRANSITION AT PEAK TO WALL PANEL ABOVE. MASONRY AND INSULATED PANEL SIM. SEE ADDITIONAL DETAILS FOR TRIM REQUIREMENTS.

EG7641

Detailer Notes:

1) N/A