

HIGH EAVE (SCULPTURED)

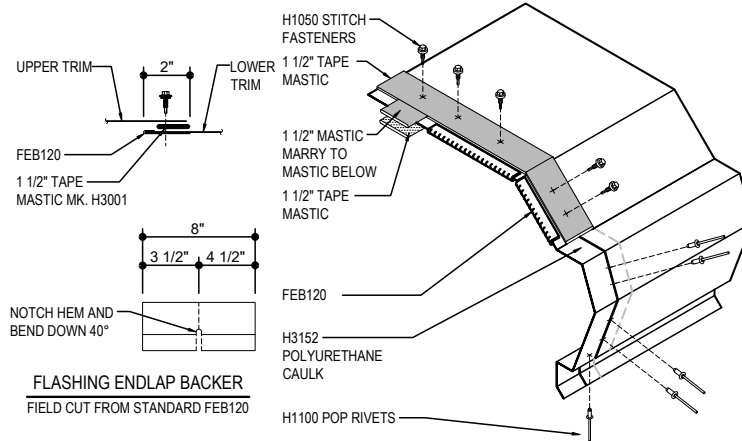
- EH3010 - HIGH EAVE STRUT w WALL PANEL
 - EH3030 - HIGH EAVE w MASONRY WALL
 - EH3050 - HIGH EAVE GIRT w NO WALL PANEL
 - EH3051 - HIGH EAVE STRUT w NO WALL PANEL
 - EH3055 - HIGH EAVE GIRT w PARTIAL WALL PANEL
 - EH3056 - HIGH EAVE STRUT w PARTIAL WALL PANEL
 - EH3610 - HIGH EAVE STRUT w INSULATED WALL PANEL
-

EH3010 - HIGH EAVE STRUT W/ WALL PANEL

[Download the DWG file by clicking here.](#)

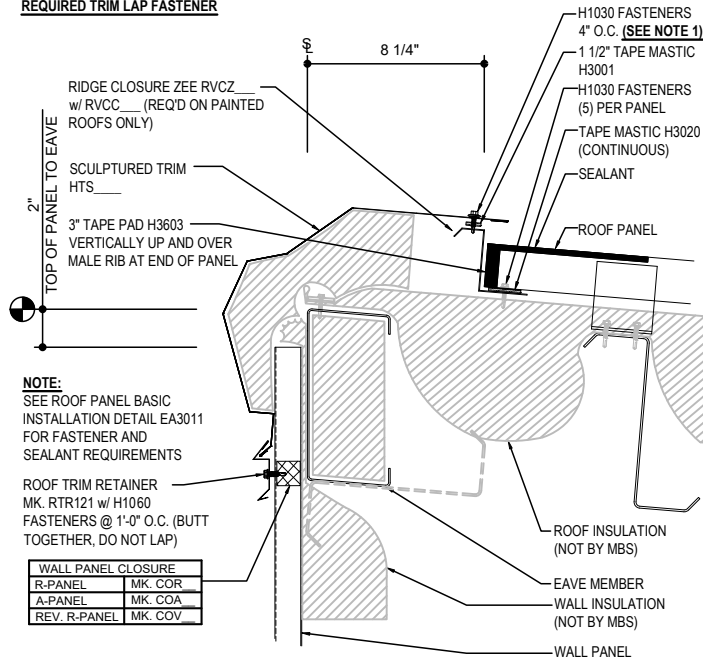
HIGH EAVE LAP & FLASHING BACKER

SLIDE FIELD CUT SECTION FLASHING ENDLAP BACKER ONTO THE LOWER TRIM PIECE. PLACE TAPE MASTIC NEXT TO HEM OF THE BACKER (NOT ON TOP OF HEM). APPLY CONTINUOUS BEAD OF CAULK 1" FROM END OF TRIM DOWN PROFILE OF TRIM. FASTEN LAP WITH STITCH FASTENERS AND POP RIVETS AS SHOWN.



FLASHING ENDLAP BACKER
FIELD CUT FROM STANDARD FEB120

NOTE 1: REFERENCE DETAIL
EA3076 FOR ADDITIONAL
REQUIRED TRIM LAP FASTENER



NOTE:

SEE ROOF PANEL BASIC INSTALLATION DETAIL EA3011 FOR FASTENER AND SEALANT REQUIREMENTS

ROOF TRIM RETAINER MK. RTR121 w/ H1060 FASTENERS @ 1'-0" O.C. (BUTT TOGETHER, DO NOT LAP)

WALL PANEL CLOSURE	
R-PANEL	MK. COR
A-PANEL	MK. COA
REV. R-PANEL	MK. COV

HIGH EAVE SCULPTURED DETAIL

HIGH EAVE SCULPTURED DETAIL w/ WALL PANELS
SEE WALL SHEETING ERECTION NOTES FOR WALL PANEL FASTENER LOCATIONS

EH3010

Detailer Notes:

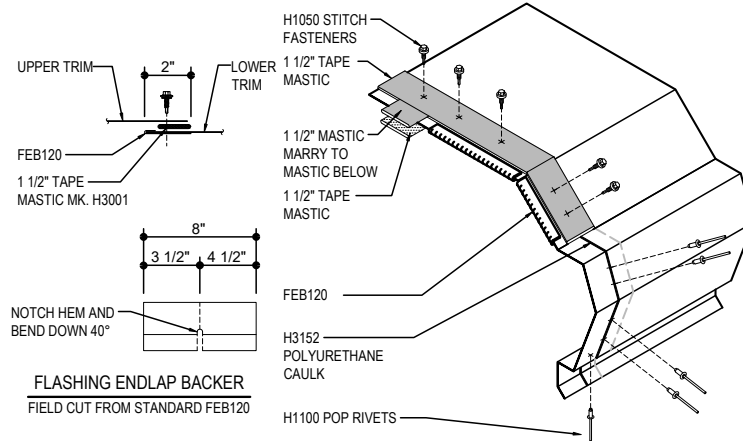
- 1) CLOSURES HIGH EAVE LAYER DEFAULT IS ON. LAYER MUST BE TURNED OFF IF CLOSURES ARE NOT REQUIRED.
- 2) THIS STANDARD DETAIL IS APPROVED FOR MIAMI-DADE USE. ALTERATIONS TO THIS DETAIL MAY IMPACT APPROVAL.

EH3030 - HIGH EAVE W/ MASONRY WALL

[Download the DWG file by clicking here.](#)

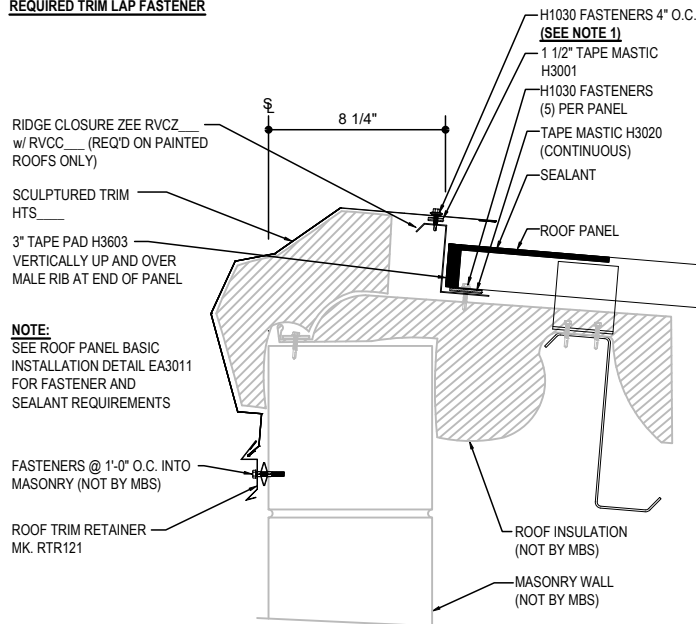
HIGH EAVE LAP & FLASHING BACKER

SLIDE FIELD CUT SECTION FLASHING ENDLAP BACKER ONTO THE LOWER TRIM PIECE. PLACE TAPE MASTIC NEXT TO HEM OF THE BACKER (NOT ON TOP OF HEM). APPLY CONTINUOUS BEAD OF CAULK 1" FROM END OF TRIM DOWN PROFILE OF TRIM. FASTEN LAP WITH STITCH FASTENERS AND POP RIVETS AS SHOWN.



FLASHING ENDLAP BACKER
FIELD CUT FROM STANDARD FEB120

NOTE 1: REFERENCE DETAIL
EA3076 FOR ADDITIONAL
REQUIRED TRIM LAP FASTENER



HIGH EAVE SCULPTURED DETAIL

HIGH EAVE SCULPTURED DETAIL W/ MASONRY WALL

EH3030

Detailer Notes:

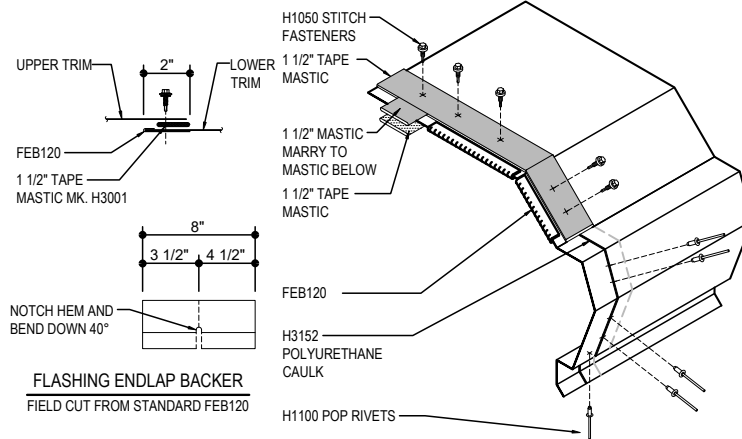
- 1) THIS STANDARD DETAIL IS APPROVED FOR MIAMI-DADE USE. ALTERATIONS TO THIS DETAIL MAY IMPACT APPROVAL.

EH3050 - HIGH EAVE GIRT W/ NO WALL PANEL

[Download the DWG file by clicking here.](#)

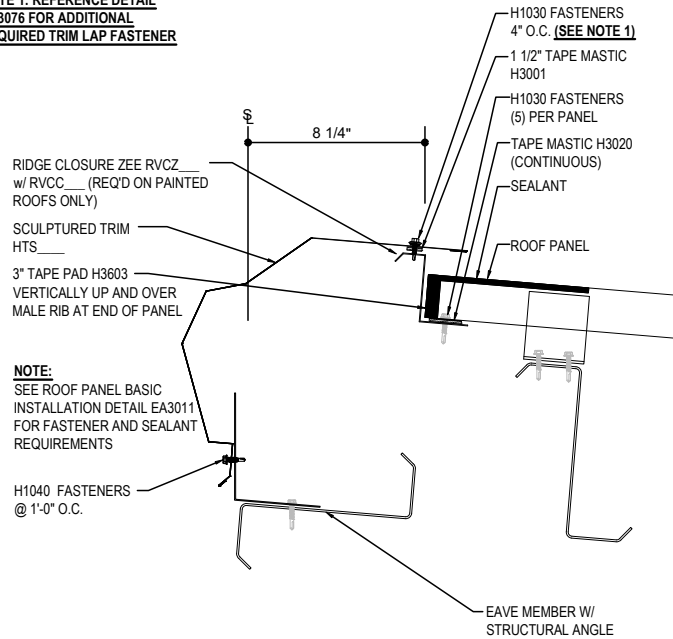
HIGH EAVE LAP & FLASHING BACKER

SLIDE FIELD CUT SECTION FLASHING ENDLAP BACKER ONTO THE LOWER TRIM PIECE. PLACE TAPE MASTIC NEXT TO HEM OF THE BACKER (NOT ON TOP OF HEM). APPLY CONTINUOUS BEAD OF CAULK 1" FROM END OF TRIM DOWN PROFILE OF TRIM. FASTEN LAP WITH STITCH FASTENERS AND POP RIVETS AS SHOWN.



FLASHING ENDLAP BACKER
FIELD CUT FROM STANDARD FEB120

NOTE 1: REFERENCE DETAIL
EA3076 FOR ADDITIONAL
REQUIRED TRIM LAP FASTENER



HIGH EAVE SCULPTURED DETAIL

HIGH EAVE SCULPTURED DETAIL W/ NO WALL PANELS

EH3050

Detailer Notes:

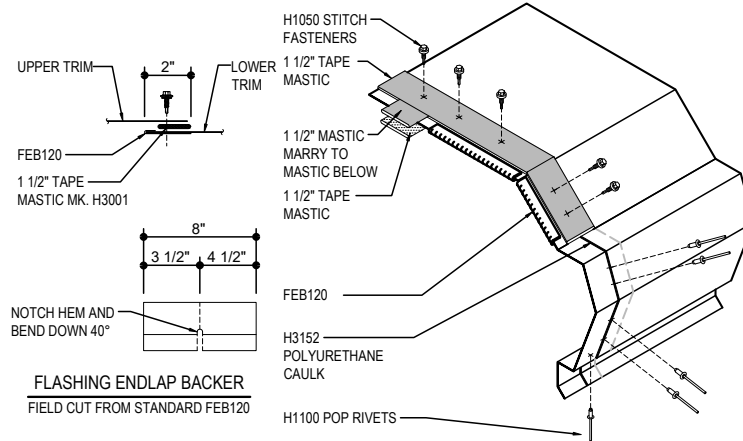
- 1) THIS STANDARD DETAIL IS APPROVED FOR MIAMI-DADE USE. ALTERATIONS TO THIS DETAIL MAY IMPACT APPROVAL.

EH3051 - HIGH EAVE STRUT W/ NO WALL PANEL

[Download the DWG file by clicking here.](#)

HIGH EAVE LAP & FLASHING BACKER

SLIDE FIELD CUT SECTION FLASHING ENDLAP BACKER ONTO THE LOWER TRIM PIECE. PLACE TAPE MASTIC NEXT TO HEM OF THE BACKER (NOT ON TOP OF HEM). APPLY CONTINUOUS BEAD OF CAULK 1" FROM END OF TRIM DOWN PROFILE OF TRIM. FASTEN LAP WITH STITCH FASTENERS AND POP RIVETS AS SHOWN.



**NOTE 1: REFERENCE DETAIL
EA3076 FOR ADDITIONAL
REQUIRED TRIM LAP FASTENER**

NOTE:

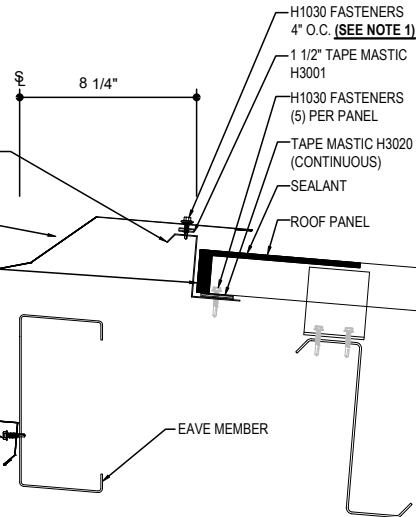
SEE ROOF PANEL BASIC
INSTALLATION DETAIL EA3011
FOR FASTENER AND
SEALANT REQUIREMENTS

RIDGE CLOSURE ZEE RVCZ
w/ RVCC (REQ'D ON PAINTED
ROOFS ONLY)

SCULPTURED TRIM
HTS

3" TAPE PAD H3603
VERTICALLY UP AND OVER
MALE RIB AT END OF PANEL

H1040 FASTENERS
@ 1'-0" O.C.



HIGH EAVE SCULPTURED DETAIL

HIGH EAVE SCULPTURED DETAIL w/ NO WALL PANELS

EH3051

Detailer Notes:

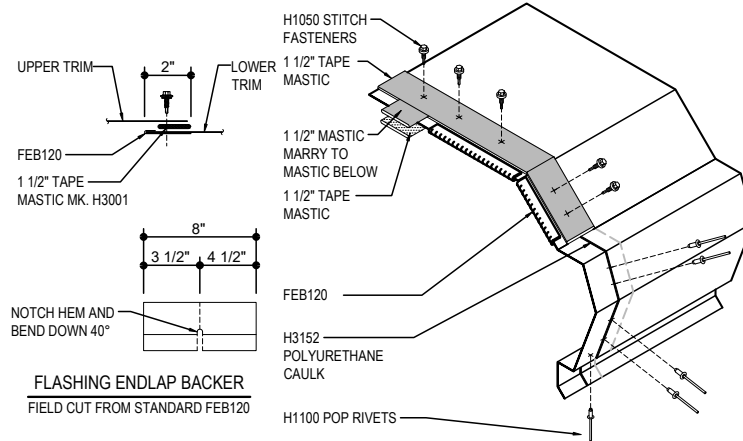
- 1) THIS STANDARD DETAIL IS APPROVED FOR MIAMI-DADE USE. ALTERATIONS TO THIS DETAIL MAY IMPACT APPROVAL.

EH3055 - HIGH EAVE GIRT W/ PARTIAL WALL PANEL

[Download the DWG file by clicking here.](#)

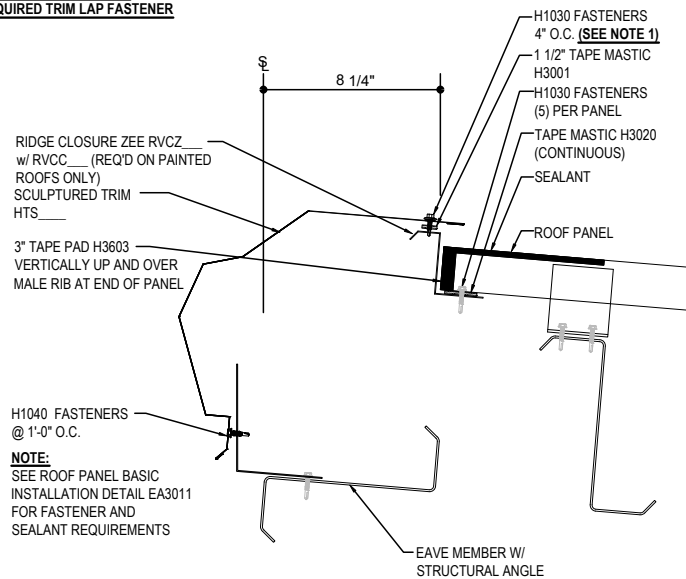
HIGH EAVE LAP & FLASHING BACKER

SLIDE FIELD CUT SECTION FLASHING ENDLAP BACKER ONTO THE LOWER TRIM PIECE. PLACE TAPE MASTIC NEXT TO HEM OF THE BACKER (NOT ON TOP OF HEM). APPLY CONTINUOUS BEAD OF CAULK 1" FROM END OF TRIM DOWN PROFILE OF TRIM. FASTEN LAP WITH STITCH FASTENERS AND POP RIVETS AS SHOWN.



FLASHING ENDLAP BACKER
FIELD CUT FROM STANDARD FEB120

NOTE 1: REFERENCE DETAIL
EA3076 FOR ADDITIONAL
REQUIRED TRIM LAP FASTENER



HIGH EAVE SCULPTURED DETAIL

HIGH EAVE SCULPTURED DETAIL W/ PARTIAL WALL PANELS

EH3055

Detailer Notes:

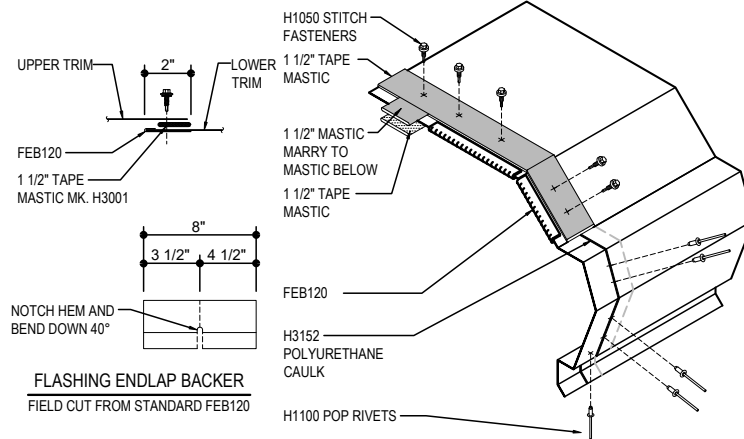
- 1) THIS STANDARD DETAIL IS APPROVED FOR MIAMI-DADE USE. ALTERATIONS TO THIS DETAIL MAY IMPACT APPROVAL.

EH3056 - HIGH EAVE STRUT W/ PARTIAL WALL PANEL

[Download the DWG file by clicking here.](#)

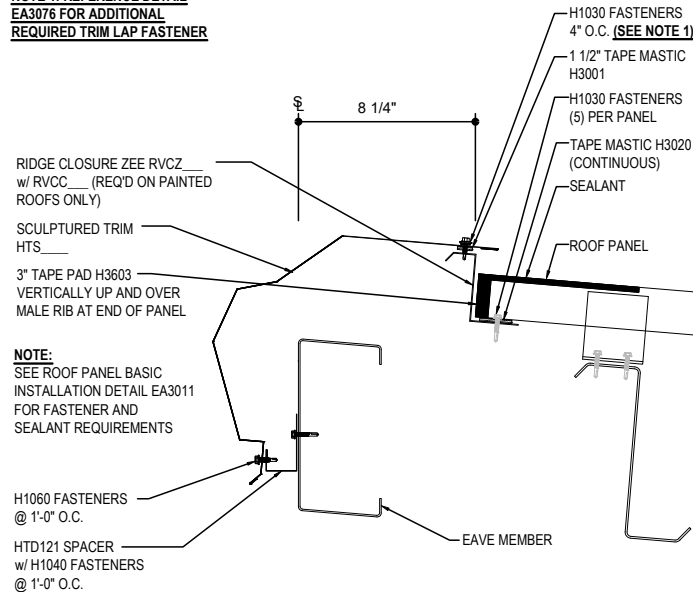
HIGH EAVE LAP & FLASHING BACKER

SLIDE FIELD CUT SECTION FLASHING ENDLAP BACKER ONTO THE LOWER TRIM PIECE. PLACE TAPE MASTIC NEXT TO HEM OF THE BACKER (NOT ON TOP OF HEM). APPLY CONTINUOUS BEAD OF CAULK 1" FROM END OF TRIM DOWN PROFILE OF TRIM. FASTEN LAP WITH STITCH FASTENERS AND POP RIVETS AS SHOWN.



FLASHING ENDLAP BACKER
FIELD CUT FROM STANDARD FEB120

NOTE 1: REFERENCE DETAIL
EA3076 FOR ADDITIONAL
REQUIRED TRIM LAP FASTENER



HIGH EAVE SCULPTURED DETAIL

HIGH EAVE SCULPTURED DETAIL W/ PARTIAL WALL PANELS

EH3056

Detailer Notes:

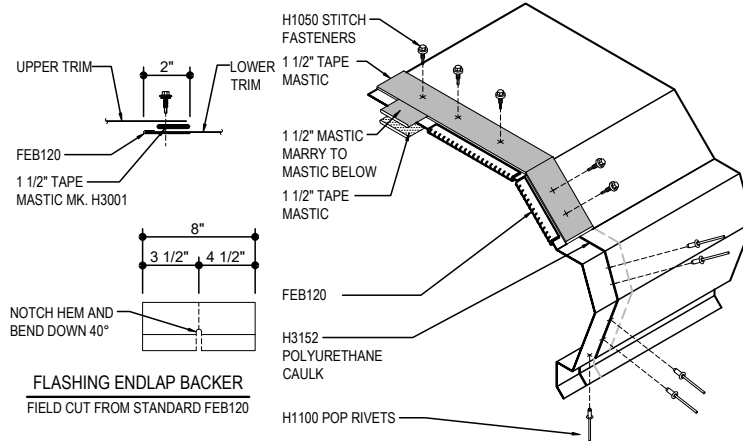
- 1) THIS STANDARD DETAIL IS APPROVED FOR MIAMI-DADE USE. ALTERATIONS TO THIS DETAIL MAY IMPACT APPROVAL.

EH3610 - HIGH EAVE STRUT W/ INSULATED WALL PANEL

[Download the DWG file by clicking here.](#)

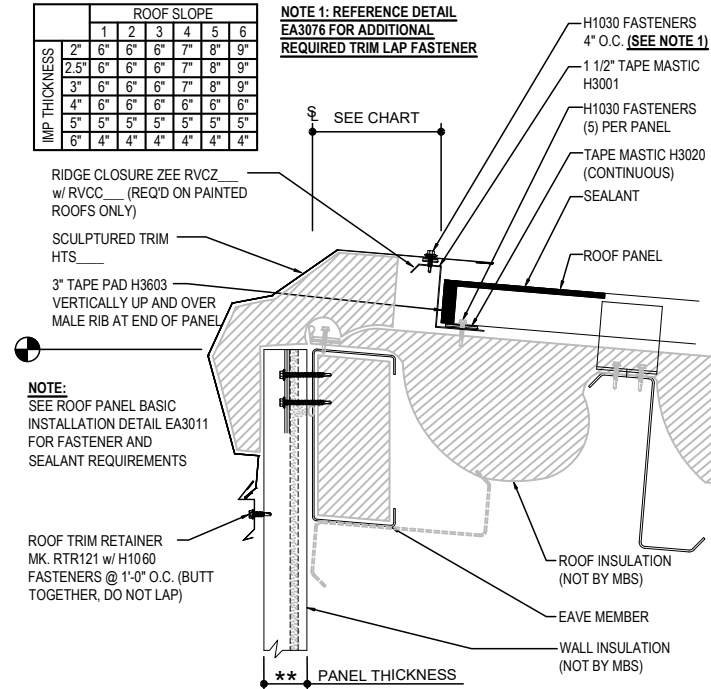
HIGH EAVE LAP & FLASHING BACKER

SLIDE FIELD CUT SECTION FLASHING ENDLAP BACKER ONTO THE LOWER TRIM PIECE. PLACE TAPE MASTIC NEXT TO HEM OF THE BACKER (NOT ON TOP OF HEM). APPLY CONTINUOUS BEAD OF CAULK 1" FROM END OF TRIM DOWN PROFILE OF TRIM. FASTEN LAP WITH STITCH FASTENERS AND POP RIVETS AS SHOWN.



		ROOF SLOPE						
		1	2	3	4	5	6	
IMP THICKNESS	2"	6"	6"	6"	6"	7"	8"	9"
	2.5"	6"	6"	6"	6"	7"	8"	9"
	3"	6"	6"	6"	6"	7"	8"	9"
	4"	6"	6"	6"	6"	6"	6"	6"
	5"	5"	5"	5"	5"	5"	5"	5"
	6"	4"	4"	4"	4"	4"	4"	4"

NOTE 1: REFERENCE DETAIL EA3076 FOR ADDITIONAL REQUIRED TRIM LAP FASTENER



HIGH EAVE SCULPTURED DETAIL

HIGH EAVE SCULPTURED DETAIL W/ WALL PANELS
SEE WALL SHEETING ERECTION NOTES FOR WALL PANEL FASTENER LOCATIONS

EH3610

Detailer Notes:

- 1) THIS STANDARD DETAIL IS APPROVED FOR MIAMI-DADE USE. ALTERATIONS TO THIS DETAIL MAY IMPACT APPROVAL.