

**HIGH EAVE (SCULPTURED)**

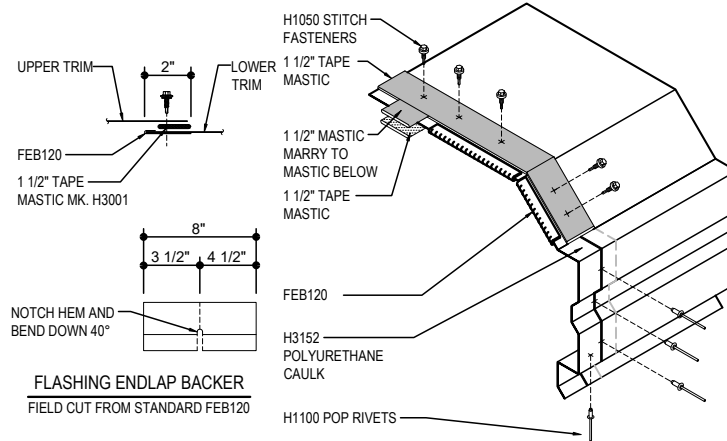
- EH3010 - HIGH EAVE STRUT w WALL PANEL
  - EH3030 - HIGH EAVE w MASONRY WALL
  - EH3050 - HIGH EAVE GIRT w NO WALL PANEL
  - EH3051 - HIGH EAVE STRUT w NO WALL PANEL
  - EH3055 - HIGH EAVE GIRT w PARTIAL WALL PANEL
  - EH3056 - HIGH EAVE STRUT w PARTIAL WALL PANEL
  - EH3610 - HIGH EAVE STRUT w INSULATED WALL PANEL
-

**EH3010 - HIGH EAVE STRUT W/ WALL PANEL**

[Download the DWG file by clicking here.](#)

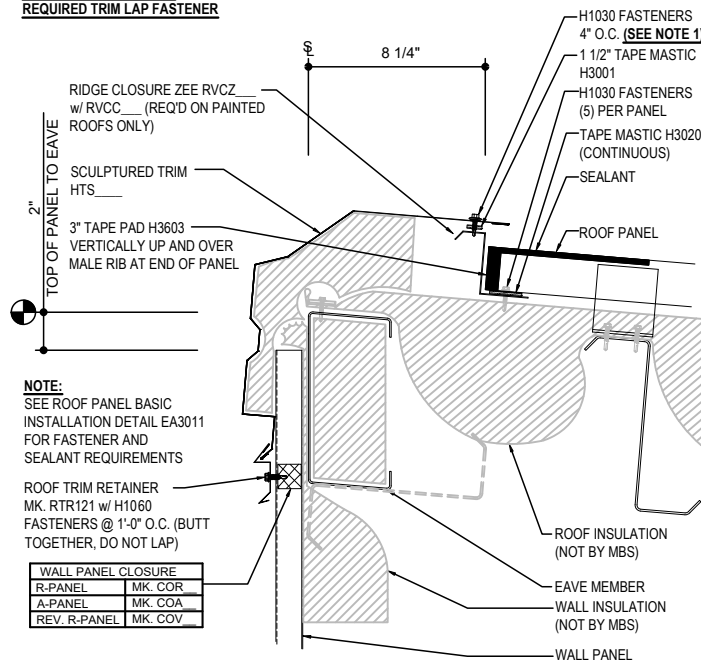
**HIGH EAVE LAP & FLASHING BACKER**

SLIDE FIELD CUT SECTION FLASHING ENDLAP BACKER ONTO THE LOWER TRIM PIECE. PLACE TAPE MASTIC NEXT TO HEM OF THE BACKER (NOT ON TOP OF HEM). APPLY CONTINUOUS BEAD OF CAULK 1" FROM END OF TRIM DOWN PROFILE OF TRIM. FASTEN LAP WITH STITCH FASTENERS AND POP RIVETS AS SHOWN.



**FLASHING ENDLAP BACKER**  
FIELD CUT FROM STANDARD FEB120

**NOTE 1: REFERENCE DETAIL**  
EA3076 FOR ADDITIONAL  
REQUIRED TRIM LAP FASTENER



**NOTE:**  
SEE ROOF PANEL BASIC  
INSTALLATION DETAIL EA3011  
FOR FASTENER AND  
SEALANT REQUIREMENTS

ROOF TRIM RETAINER  
MK. RTR121 w/ H1060  
FASTENERS @ 1'-0\"/>

WALL PANEL CLOSURE	
R-PANEL	MK. COR
A-PANEL	MK. COA
REV. R-PANEL	MK. COV

**HIGH EAVE SCULPTURED DETAIL**

HIGH EAVE SCULPTURED DETAIL w/ WALL PANELS  
SEE WALL SHEETING ERECTION NOTES FOR WALL PANEL FASTENER LOCATIONS

**EH3010**

**Detailer Notes:**

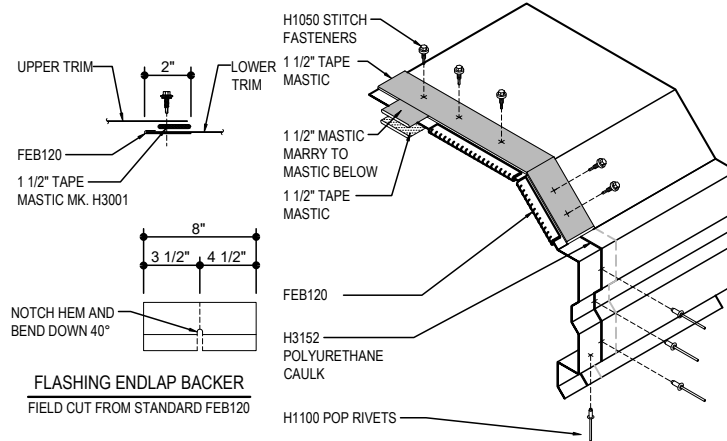
- 1) CLOSURES HIGH EAVE LAYER DEFAULT IS ON. LAYER MUST BE TURNED OFF IF CLOSURES ARE NOT REQUIRED.
- 2) THIS STANDARD DETAIL IS APPROVED FOR MIAMI-DADE USE. ALTERATIONS TO THIS DETAIL MAY IMPACT APPROVAL.

EH3030 - HIGH EAVE W/ MASONRY WALL

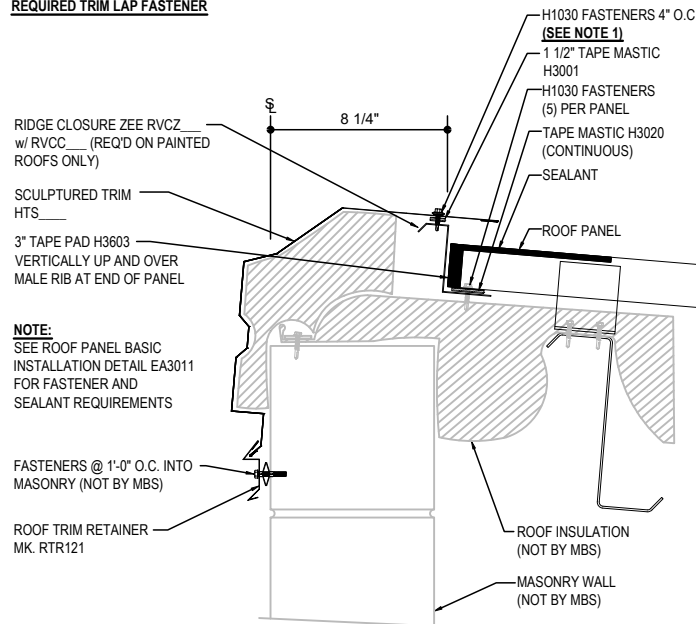
[Download the DWG file by clicking here.](#)

**HIGH EAVE LAP & FLASHING BACKER**

SLIDE FIELD CUT SECTION FLASHING ENDLAP BACKER ONTO THE LOWER TRIM PIECE. PLACE TAPE MASTIC NEXT TO HEM OF THE BACKER (NOT ON TOP OF HEM). APPLY CONTINUOUS BEAD OF CAULK 1" FROM END OF TRIM DOWN PROFILE OF TRIM. FASTEN LAP WITH STITCH FASTENERS AND POP RIVETS AS SHOWN.



**NOTE 1: REFERENCE DETAIL**  
EA3076 FOR ADDITIONAL  
REQUIRED TRIM LAP FASTENER



**HIGH EAVE SCULPTURED DETAIL**

HIGH EAVE SCULPTURED DETAIL W/ MASONRY WALL

**EH3030**

**Detailer Notes:**

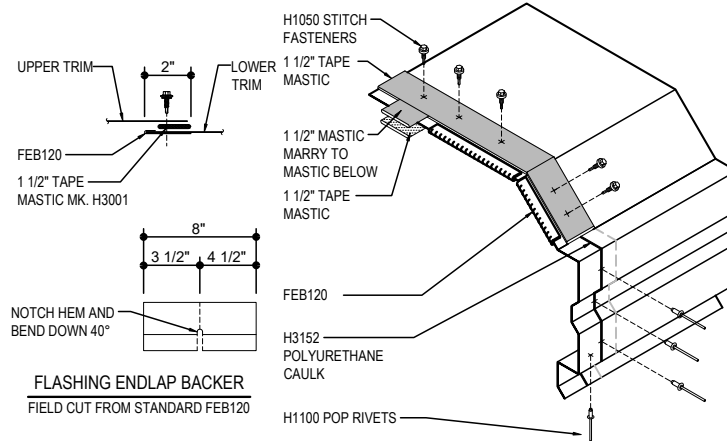
1) THIS STANDARD DETAIL IS APPROVED FOR MIAMI-DADE USE. ALTERATIONS TO THIS DETAIL MAY IMPACT APPROVAL.

**EH3050 - HIGH EAVE GIRT W/ NO WALL PANEL**

[Download the DWG file by clicking here.](#)

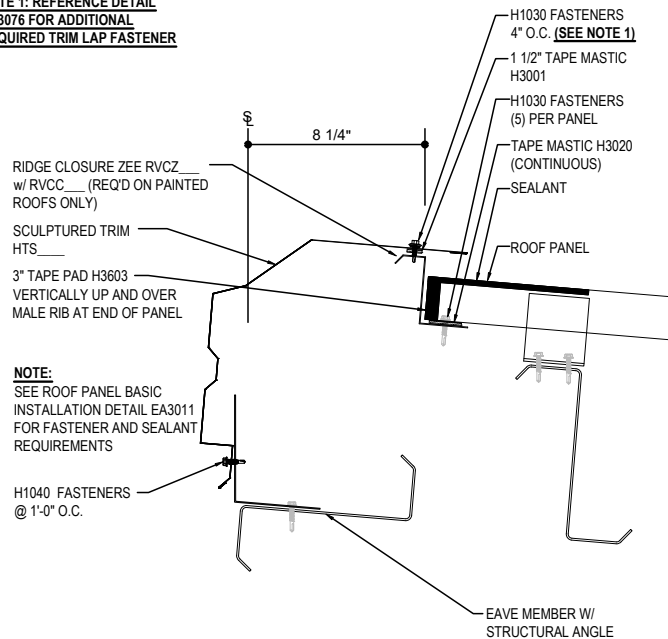
**HIGH EAVE LAP & FLASHING BACKER**

SLIDE FIELD CUT SECTION FLASHING ENDLAP BACKER ONTO THE LOWER TRIM PIECE. PLACE TAPE MASTIC NEXT TO HEM OF THE BACKER (NOT ON TOP OF HEM). APPLY CONTINUOUS BEAD OF CAULK 1" FROM END OF TRIM DOWN PROFILE OF TRIM. FASTEN LAP WITH STITCH FASTENERS AND POP RIVETS AS SHOWN.



**FLASHING ENDLAP BACKER**  
FIELD CUT FROM STANDARD FEB120

**NOTE 1: REFERENCE DETAIL**  
EA3076 FOR ADDITIONAL  
REQUIRED TRIM LAP FASTENER



**HIGH EAVE SCULPTURED DETAIL**

HIGH EAVE SCULPTURED DETAIL W/ NO WALL PANELS

**EH3050**

**Detailer Notes:**

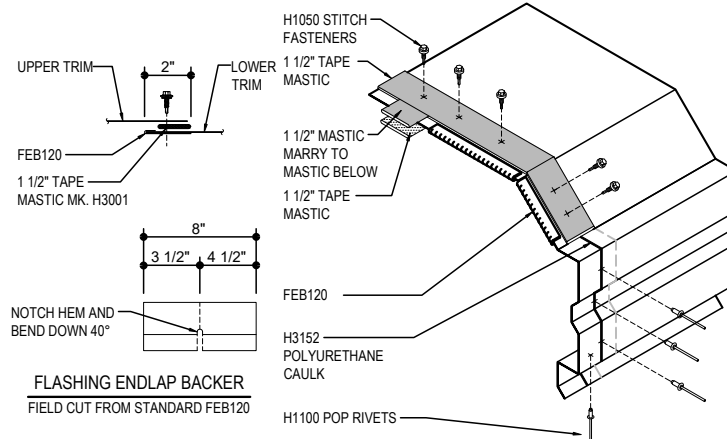
- 1) THIS STANDARD DETAIL IS APPROVED FOR MIAMI-DADE USE. ALTERATIONS TO THIS DETAIL MAY IMPACT APPROVAL.

**EH3051 - HIGH EAVE STRUT W/ NO WALL PANEL**

[Download the DWG file by clicking here.](#)

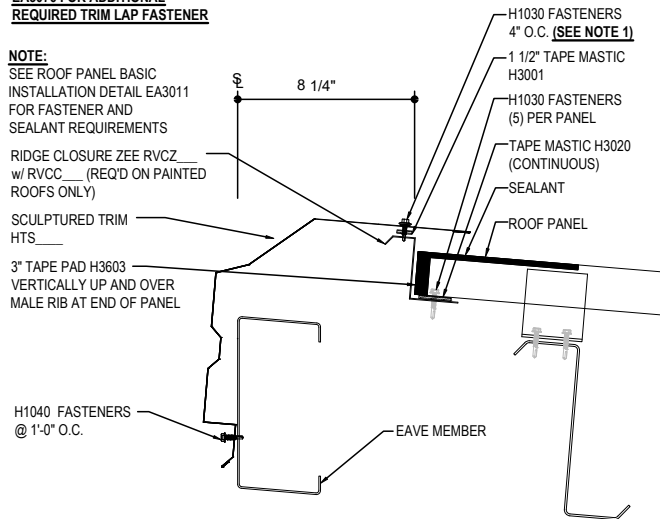
**HIGH EAVE LAP & FLASHING BACKER**

SLIDE FIELD CUT SECTION FLASHING ENDLAP BACKER ONTO THE LOWER TRIM PIECE. PLACE TAPE MASTIC NEXT TO HEM OF THE BACKER (NOT ON TOP OF HEM). APPLY CONTINUOUS BEAD OF CAULK 1" FROM END OF TRIM DOWN PROFILE OF TRIM. FASTEN LAP WITH STITCH FASTENERS AND POP RIVETS AS SHOWN.



**NOTE 1: REFERENCE DETAIL  
EA3076 FOR ADDITIONAL  
REQUIRED TRIM LAP FASTENER**

**NOTE:**  
SEE ROOF PANEL BASIC  
INSTALLATION DETAIL EA3011  
FOR FASTENER AND  
SEALANT REQUIREMENTS  
RIDGE CLOSURE ZEE RVCZ  
w/ RVCC (REQ'D ON PAINTED  
ROOFS ONLY)  
SCULPTURED TRIM  
HTS  
3" TAPE PAD H3603  
VERTICALLY UP AND OVER  
MALE RIB AT END OF PANEL



**HIGH EAVE SCULPTURED DETAIL**

HIGH EAVE SCULPTURED DETAIL W/ NO WALL PANELS

**EH3051**

**Detailer Notes:**

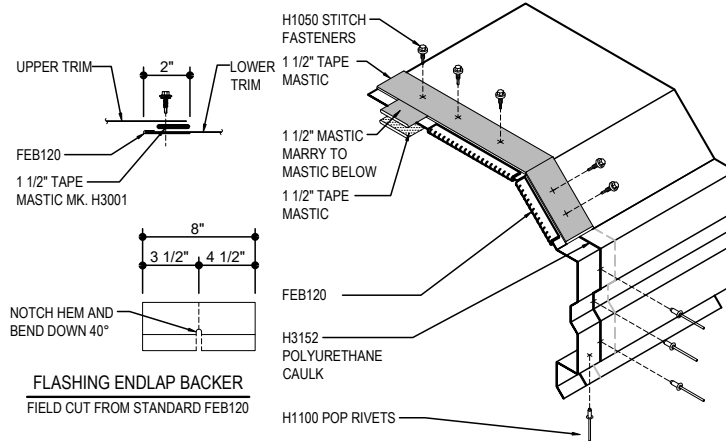
- 1) THIS STANDARD DETAIL IS APPROVED FOR MIAMI-DADE USE. ALTERATIONS TO THIS DETAIL MAY IMPACT APPROVAL.

**EH3055 - HIGH EAVE GIRT W/ PARTIAL WALL PANEL**

[Download the DWG file by clicking here.](#)

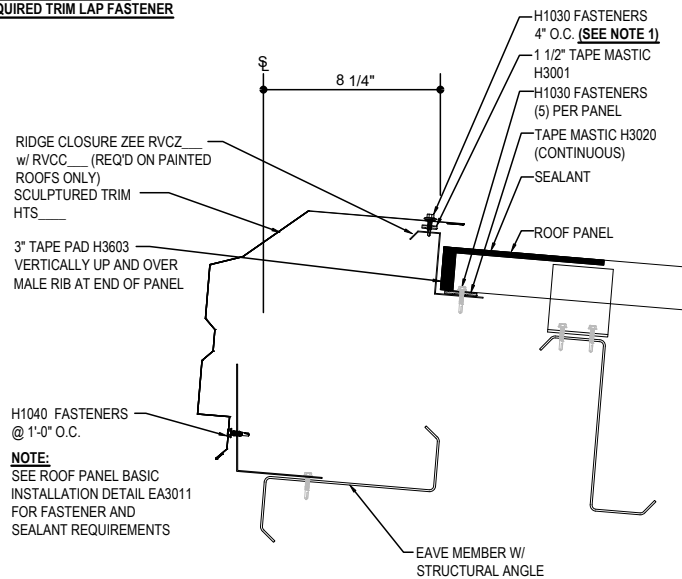
**HIGH EAVE LAP & FLASHING BACKER**

SLIDE FIELD CUT SECTION FLASHING ENDLAP BACKER ONTO THE LOWER TRIM PIECE. PLACE TAPE MASTIC NEXT TO HEM OF THE BACKER (NOT ON TOP OF HEM). APPLY CONTINUOUS BEAD OF CAULK 1" FROM END OF TRIM DOWN PROFILE OF TRIM. FASTEN LAP WITH STITCH FASTENERS AND POP RIVETS AS SHOWN.



**FLASHING ENDLAP BACKER**  
FIELD CUT FROM STANDARD FEB120

**NOTE 1: REFERENCE DETAIL**  
**EA3076 FOR ADDITIONAL**  
**REQUIRED TRIM LAP FASTENER**



**HIGH EAVE SCULPTURED DETAIL**

HIGH EAVE SCULPTURED DETAIL W/ PARTIAL WALL PANELS

**EH3055**

**Detailer Notes:**

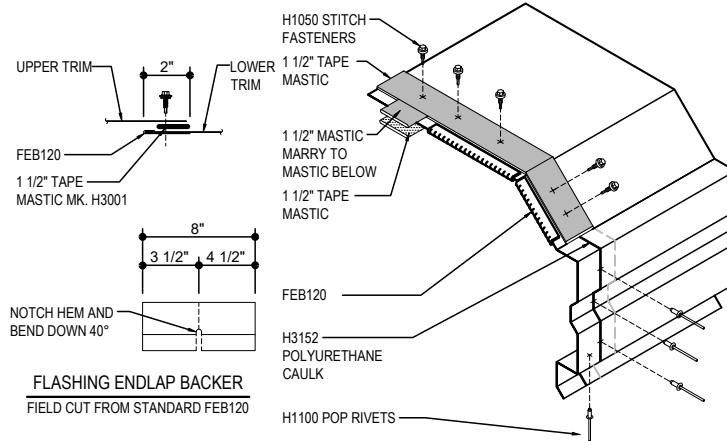
- 1) THIS STANDARD DETAIL IS APPROVED FOR MIAMI-DADE USE. ALTERATIONS TO THIS DETAIL MAY IMPACT APPROVAL.

**EH3056 - HIGH EAVE STRUT W/ PARTIAL WALL PANEL**

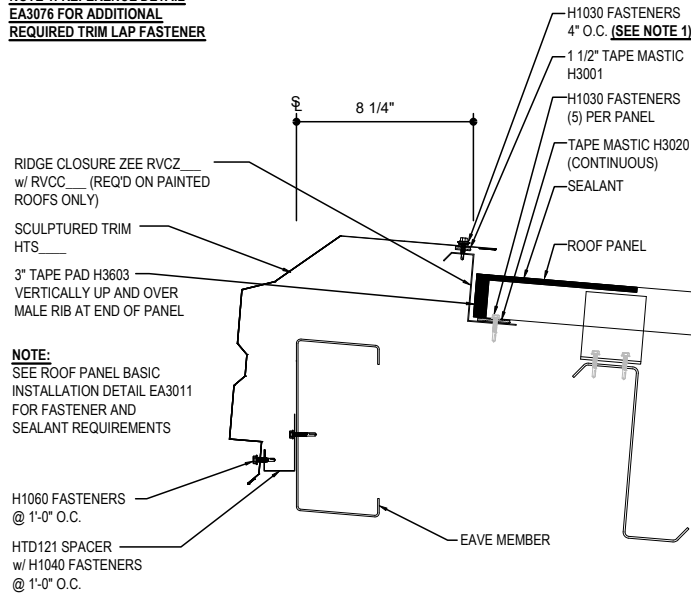
[Download the DWG file by clicking here.](#)

**HIGH EAVE LAP & FLASHING BACKER**

SLIDE FIELD CUT SECTION FLASHING ENDLAP BACKER ONTO THE LOWER TRIM PIECE. PLACE TAPE MASTIC NEXT TO HEM OF THE BACKER (NOT ON TOP OF HEM). APPLY CONTINUOUS BEAD OF CAULK 1" FROM END OF TRIM DOWN PROFILE OF TRIM. FASTEN LAP WITH STITCH FASTENERS AND POP RIVETS AS SHOWN.



**NOTE 1: REFERENCE DETAIL EA3076 FOR ADDITIONAL REQUIRED TRIM LAP FASTENER**



**HIGH EAVE SCULPTURED DETAIL**

HIGH EAVE SCULPTURED DETAIL W/ PARTIAL WALL PANELS

**EH3056**

**Detailer Notes:**

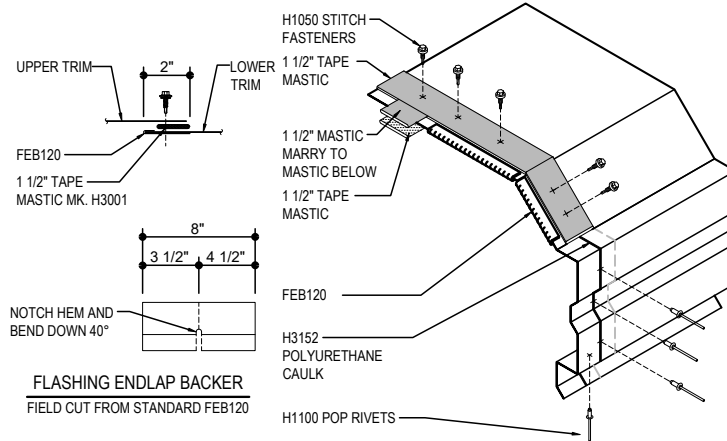
1) THIS STANDARD DETAIL IS APPROVED FOR MIAMI-DADE USE. ALTERATIONS TO THIS DETAIL MAY IMPACT APPROVAL.

**EH3610 - HIGH EAVE STRUT W/ INSULATED WALL PANEL**

[Download the DWG file by clicking here.](#)

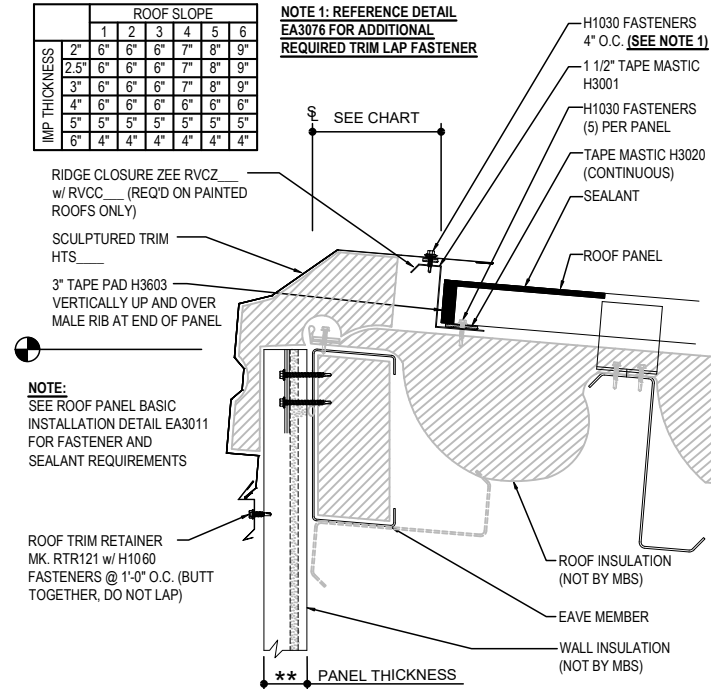
**HIGH EAVE LAP & FLASHING BACKER**

SLIDE FIELD CUT SECTION FLASHING ENDLAP BACKER ONTO THE LOWER TRIM PIECE. PLACE TAPE MASTIC NEXT TO HEM OF THE BACKER (NOT ON TOP OF HEM). APPLY CONTINUOUS BEAD OF CAULK 1" FROM END OF TRIM DOWN PROFILE OF TRIM. FASTEN LAP WITH STITCH FASTENERS AND POP RIVETS AS SHOWN.



		ROOF SLOPE						
		1	2	3	4	5	6	
IMP THICKNESS	2"	6"	6"	6"	6"	7"	8"	9"
	2.5"	6"	6"	6"	6"	7"	8"	9"
	3"	6"	6"	6"	6"	7"	8"	9"
	4"	6"	6"	6"	6"	6"	6"	6"
	5"	5"	5"	5"	5"	5"	5"	5"
	6"	4"	4"	4"	4"	4"	4"	4"

**NOTE 1: REFERENCE DETAIL EA3076 FOR ADDITIONAL REQUIRED TRIM LAP FASTENER**



**HIGH EAVE SCULPTURED DETAIL**

HIGH EAVE SCULPTURED DETAIL W/ WALL PANELS  
SEE WALL SHEETING ERECTION NOTES FOR WALL PANEL FASTENER LOCATIONS

**EH3610**

**Detailer Notes:**

- 1) THIS STANDARD DETAIL IS APPROVED FOR MIAMI-DADE USE. ALTERATIONS TO THIS DETAIL MAY IMPACT APPROVAL.