

HIGH EAVE (SCULPTURED)

EH3011 - SCULPTURED HIGH EAVE STRUT W/ WALL PANEL

EH3031 - SCULPTURED HIGH EAVE W/ MASONRY WALL

EH3052 - SCULPTURED HIGH EAVE STRUT W/ OPEN WALL AND NO SOFFIT PANEL

EH3053 - SCULPTURED HIGH EAVE STRUT W/ OPEN WALL AND SOFFIT PANEL

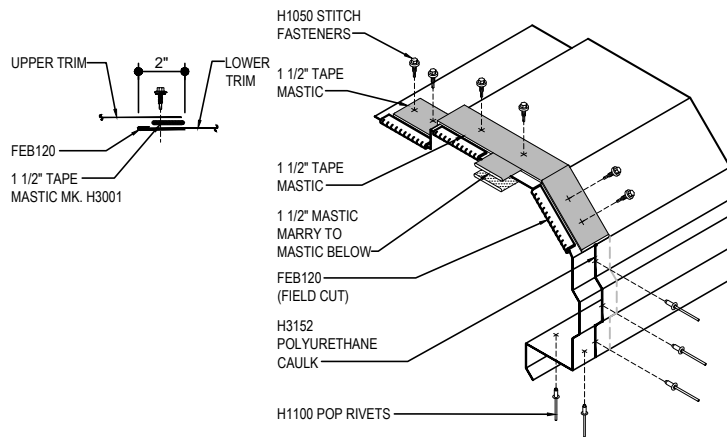
EH3611 - SCULPTURED HIGH EAVE STRUT W/ INSULATED WALL PANEL

EH3011 - SCULPTURED HIGH EAVE STRUT W/ WALL PANEL

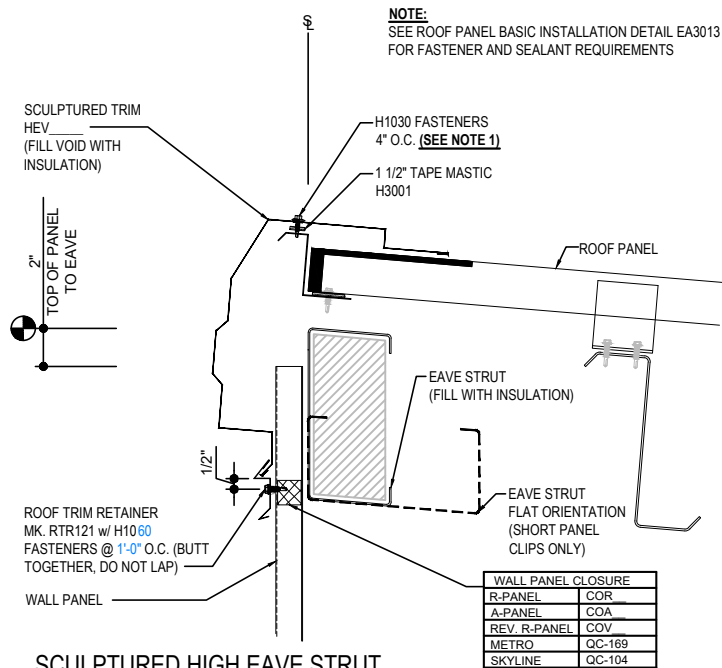
[Download the DWG file by clicking here.](#)

HIGH EAVE LAP & FLASHING BACKER

SLIDE FIELD CUT SECTION FLASHING ENDLAP BACKER ONTO THE LOWER TRIM PIECE. PLACE TAPE MASTIC NEXT TO HEM OF THE BACKER (NOT ON TOP OF HEM). APPLY CONTINUOUS BEAD OF CAULK 1" FROM END OF TRIM DOWN PROFILE OF TRIM. FASTEN LAP WITH STITCH FASTENERS AND POP RIVETS AS SHOWN.



NOTE 1: REFERENCE DETAIL EA3076 FOR ADDITIONAL REQUIRED TRIM LAP FASTENER



**SCULPTURED HIGH EAVE STRUT
W/ WALL PANEL**

VERTICAL RIB ROOF PANEL
SEE WALL SHEETING ERECTION NOTES FOR WALL PANEL FASTENER LOCATIONS

EH3011

Detailer Notes:

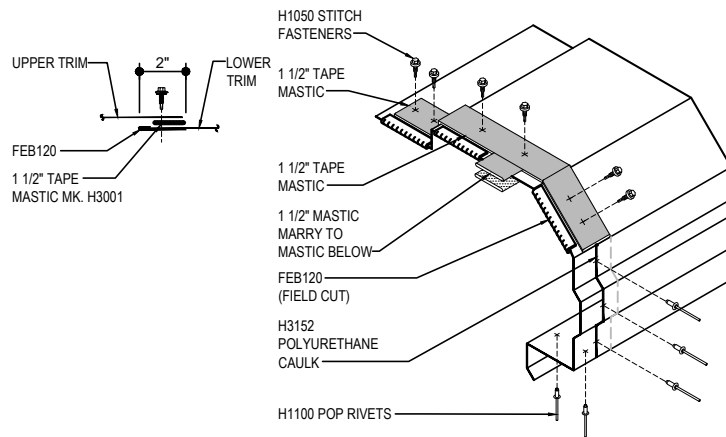
- 1) CLOSURES HIGH EAVE LAYER DEFAULT IS ON. LAYER MUST BE TURNED OFF IF CLOSURES ARE NOT REQUIRED.
- 2) THIS STANDARD DETAIL IS APPROVED FOR MIAMI-DADE USE. ALTERATIONS TO THIS DETAIL MAY IMPACT APPROVAL.

EH3031 - SCULPTURED HIGH EAVE W/ MASONRY WALL

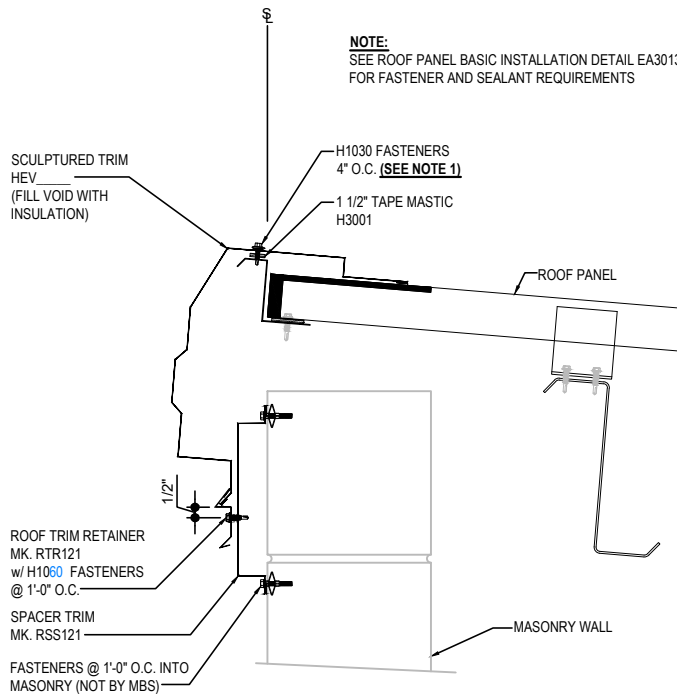
[Download the DWG file by clicking here.](#)

HIGH EAVE LAP & FLASHING BACKER

SLIDE FIELD CUT SECTION FLASHING ENDLAP BACKER ONTO THE LOWER TRIM PIECE. PLACE TAPE MASTIC NEXT TO HEM OF THE BACKER (NOT ON TOP OF HEM). APPLY CONTINUOUS BEAD OF CAULK 1" FROM END OF TRIM DOWN PROFILE OF TRIM. FASTEN LAP WITH STITCH FASTENERS AND POP RIVETS AS SHOWN.



NOTE 1: REFERENCE DETAIL EA3076 FOR ADDITIONAL REQUIRED TRIM LAP FASTENER



NOTE:
SEE ROOF PANEL BASIC INSTALLATION DETAIL EA3013 FOR FASTENER AND SEALANT REQUIREMENTS

SCULPTURED HIGH EAVE W/ MASONRY WALL
VERTICAL RIB ROOF PANEL

EH3031

Detailer Notes:

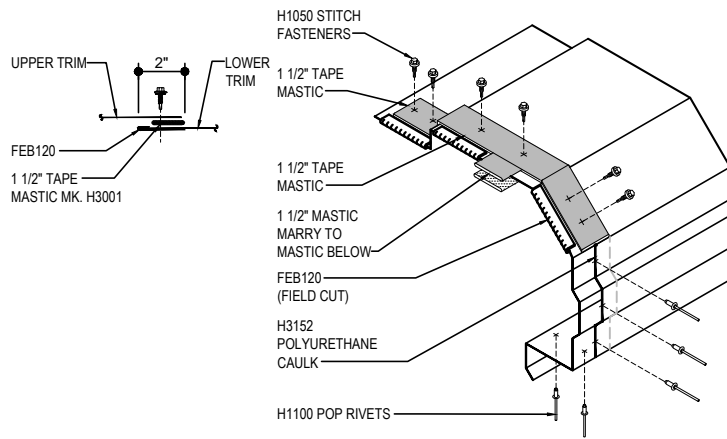
- 1) THIS STANDARD DETAIL IS APPROVED FOR MIAMI-DADE USE. ALTERATIONS TO THIS DETAIL MAY IMPACT APPROVAL.

EH3052 - SCULPTURED HIGH EAVE STRUT W/ OPEN WALL AND NO SOFFIT PANEL

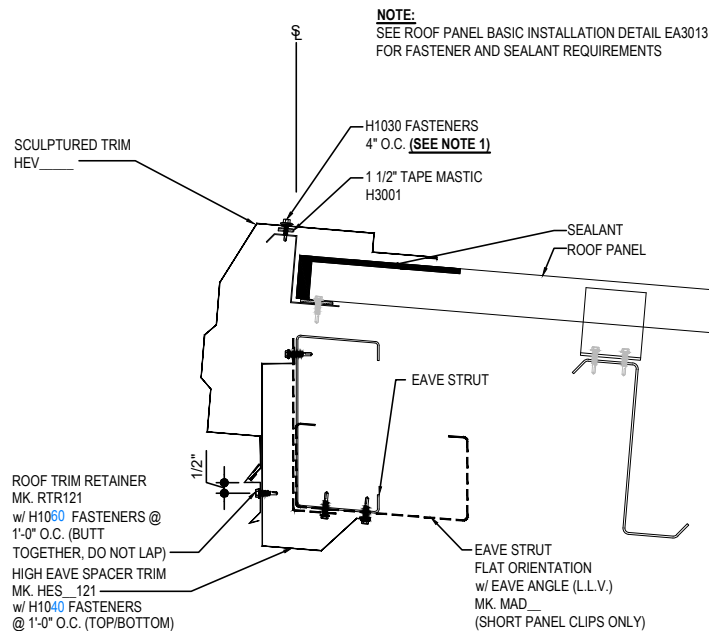
[Download the DWG file by clicking here.](#)

HIGH EAVE LAP & FLASHING BACKER

SLIDE FIELD CUT SECTION FLASHING ENDLAP BACKER ONTO THE LOWER TRIM PIECE. PLACE TAPE MASTIC NEXT TO HEM OF THE BACKER (NOT ON TOP OF HEM). APPLY CONTINUOUS BEAD OF CAULK 1" FROM END OF TRIM DOWN PROFILE OF TRIM. FASTEN LAP WITH STITCH FASTENERS AND POP RIVETS AS SHOWN.



NOTE 1: REFERENCE DETAIL EA3076 FOR ADDITIONAL REQUIRED TRIM LAP FASTENER



**SCULPTURED HIGH EAVE STRUT
W/ OPEN WALL AND NO SOFFIT PANEL**
VERTICAL RIB ROOF PANEL

EH3052

Detailer Notes:

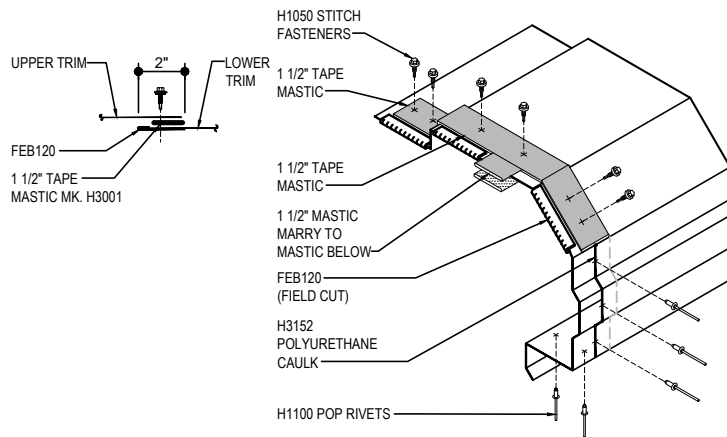
- 1) THIS STANDARD DETAIL IS APPROVED FOR MIAMI-DADE USE. ALTERATIONS TO THIS DETAIL MAY IMPACT APPROVAL.
- 2) DETAIL CAN BE USED WITH PARTIALLY SHEETED WALLS AND FULLY OPEN WALLS.
- 3) DETAIL ONLY APPLIES TO THE MAIN BUILDING EAVE LINE. SEE EAVE/RAKE EXTENSION OR CANOPY SHEETING SECTIONS FOR OTHER SOFFIT/LINER CONFIGURATIONS.

EH3053 - SCULPTURED HIGH EAVE STRUT W/ OPEN WALL AND SOFFIT PANEL

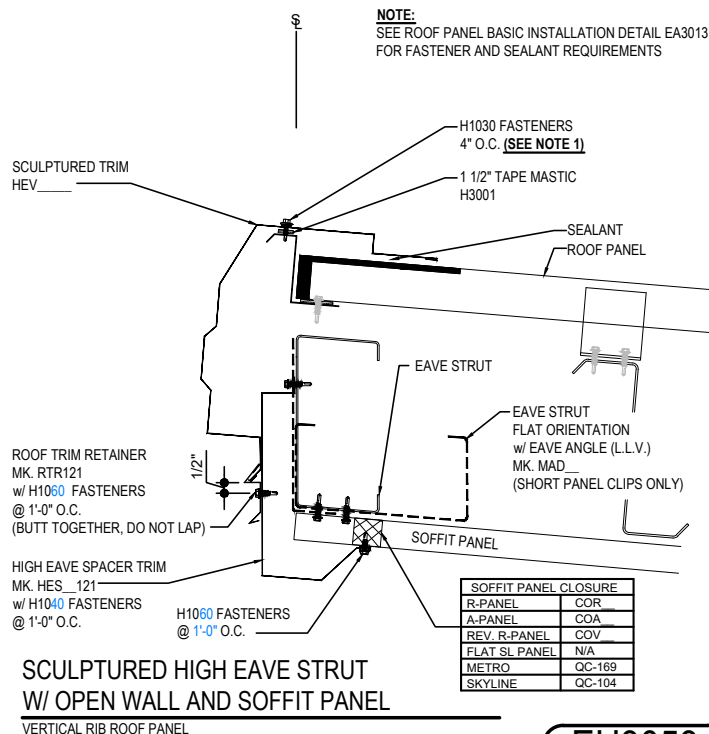
[Download the DWG file by clicking here.](#)

HIGH EAVE LAP & FLASHING BACKER

SLIDE FIELD CUT SECTION FLASHING ENDLAP BACKER ONTO THE LOWER TRIM PIECE. PLACE TAPE MASTIC NEXT TO HEM OF THE BACKER (NOT ON TOP OF HEM). APPLY CONTINUOUS BEAD OF CAULK 1" FROM END OF TRIM DOWN PROFILE OF TRIM. FASTEN LAP WITH STITCH FASTENERS AND POP RIVETS AS SHOWN.



NOTE 1: REFERENCE DETAIL EA3076 FOR ADDITIONAL REQUIRED TRIM LAP FASTENER



EH3053

Detailer Notes:

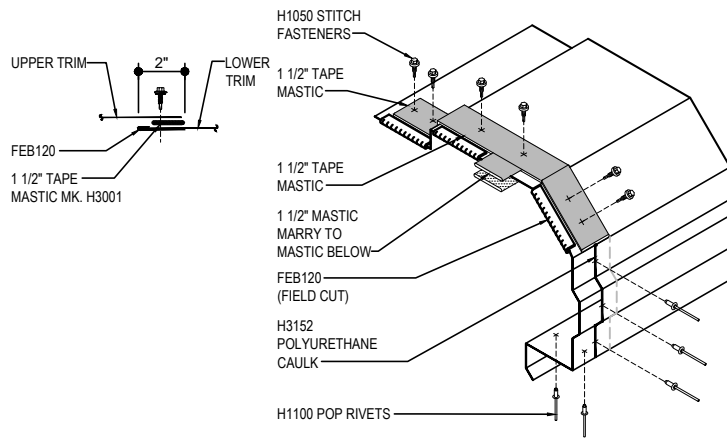
- 1) THIS STANDARD DETAIL IS APPROVED FOR MIAMI-DADE USE. ALTERATIONS TO THIS DETAIL MAY IMPACT APPROVAL.
- 2) DETAIL CAN BE USED WITH PARTIALLY SHEETED WALLS AND FULLY OPEN WALLS.
- 3) DETAIL ONLY APPLIES TO THE MAIN BUILDING EAVE LINE. SEE EAVE/RAKE EXTENSION OR CANOPY SHEETING SECTIONS FOR OTHER SOFFIT/LINER CONFIGURATIONS.

EH3611 - HIGH EAVE STRUT W/ INSULATED WALL PANEL

[Download the DWG file by clicking here.](#)

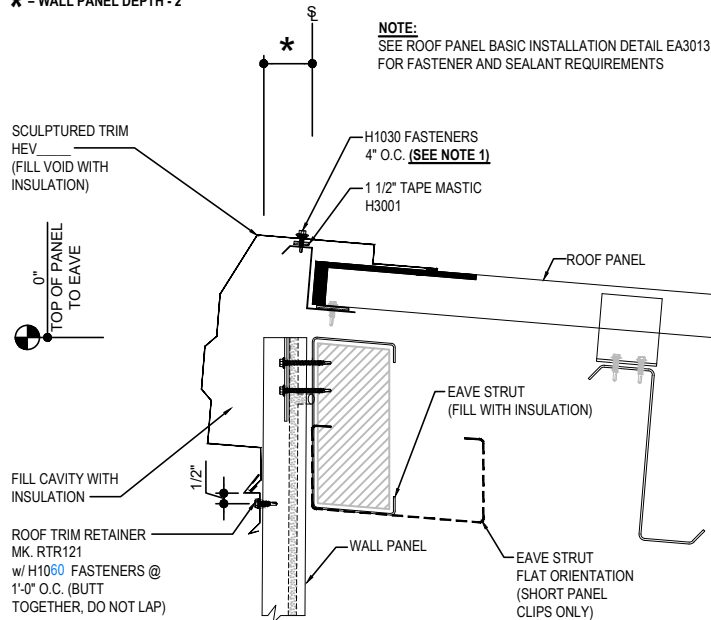
HIGH EAVE LAP & FLASHING BACKER

SLIDE FIELD CUT SECTION FLASHING ENDLAP BACKER ONTO THE LOWER TRIM PIECE. PLACE TAPE MASTIC NEXT TO HEM OF THE BACKER (NOT ON TOP OF HEM). APPLY CONTINUOUS BEAD OF CAULK 1" FROM END OF TRIM DOWN PROFILE OF TRIM. FASTEN LAP WITH STITCH FASTENERS AND POP RIVETS AS SHOWN.



NOTE 1: REFERENCE DETAIL EA3076 FOR ADDITIONAL REQUIRED TRIM LAP FASTENER

* = WALL PANEL DEPTH - 2"



**SCULPTURED HIGH EAVE STRUT
W/ INSULATED WALL PANEL**

VERTICAL RIB ROOF PANEL
SEE WALL SHEETING ERECTION NOTES FOR WALL PANEL FASTENER LOCATIONS

EH3611

Detailer Notes:

- 1) THIS STANDARD DETAIL IS APPROVED FOR MIAMI-DADE USE. ALTERATIONS TO THIS DETAIL MAY IMPACT APPROVAL.