

**TRANSLUCENT PANELS**

EM6020 - SS360 & SSII TRANSLUCENT PANEL

---

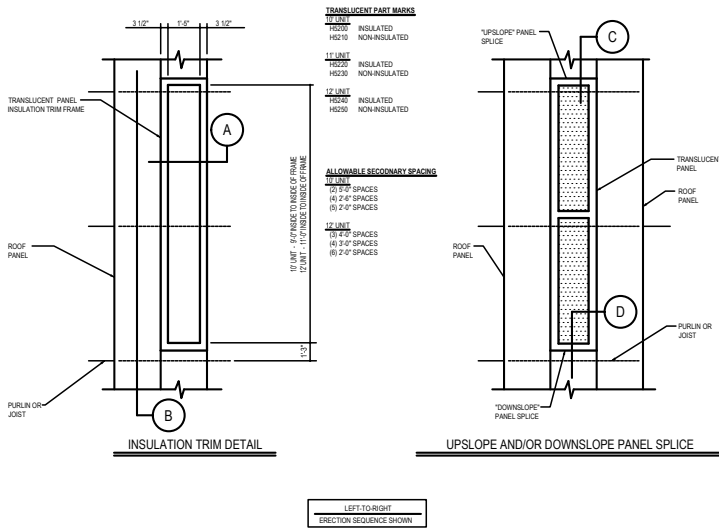
EM6020 - SS360/SSII ROOF

[Download the DWG file by clicking here.](#)

**SS360/SS II TRANSLUCENT ROOF PANEL INSTALLATION INSTRUCTIONS**

**ERECTOR NOTE:** THE DETAILS SHOWN ON THIS PAGE REFLECT LEFT-TO-RIGHT PANEL ERECTION SEQUENCE. IF THE PANELS ARE BEING INSTALLED FROM RIGHT-TO-LEFT, THE DETAILS ARE OPPOSITE HAND OF WHAT IS SHOWN.

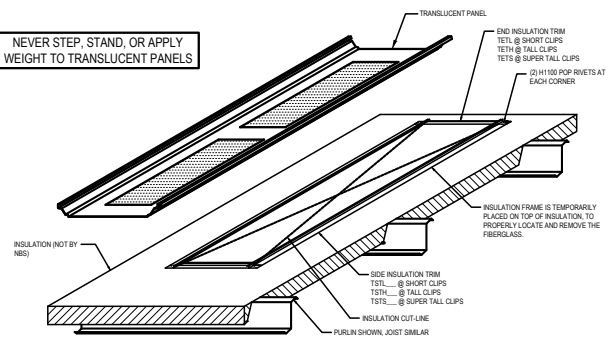
**TRANSLUCENT PANEL LAYOUT - PLAN VIEWS**



**ERECTION NOTES:**

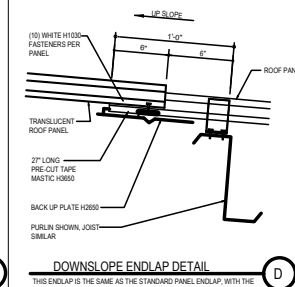
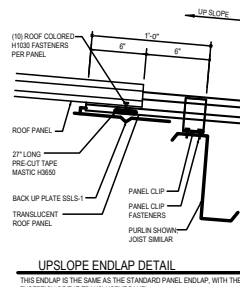
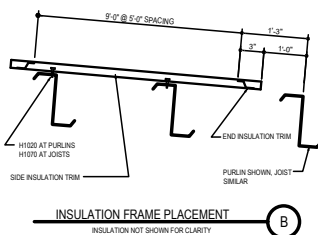
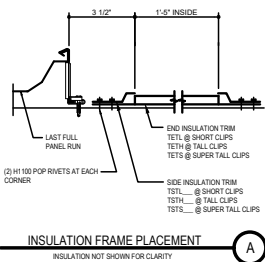
- 1) INSTALL METAL ROOF PANELS UP TO THE TRANSLUCENT PANEL LOCATION.
- 2) PRE-ASSEMBLE INSULATION TRIM FRAME AS SHOWN IN THE DETAILS BELOW.
- 3) PLACE FRAME ON TOP OF THE ROOF INSULATION. USE DIMENSIONS BELOW TO PROPERLY LOCATE FRAME ON THE PURLINS/JOISTS.
- 4) ATTACH THE FRAME TO PURLINS WITH (4) H1020'S OR TO JOIST WITH (4) H1075'S.
- 5) REMOVE THE FIBERGLASS INSULATION FROM THE BACKING INSIDE THE FRAME AREA.
- 6) MAKE AN X CUT IN THE LINER AS SHOWN.
- 7) FASTEN INSULATION BACKING TO FRAME USING DOUBLE FACED TAPE (BY OTHERS).
- 8) WHEN TRANSLUCENT PANELS ARE USED AT THE RIDGE OR HIGH EAVE PARAPET, FIELD NOTCH TOP OF PANEL TO MATCH ADJACENT PANEL NOTCHES.

**NEVER STEP, STAND, OR APPLY WEIGHT TO TRANSLUCENT PANELS**



**GENERAL NOTES:**

- 1) THE TRANSLUCENT PANEL MUST BE HAND CRIMPED/MECHANICALLY SEAMED THE FULL LENGTH OF, ON BOTH SIDES, WITH THE PROPER TOOL, TO ACHIEVE A FULLY SEAMED PROFILE.
- 2) END TO END, TRANSLUCENT PANELS SHOULD BE SPACED SO THAT THE METAL PANELS ABOVE, BETWEEN AND BELOW ARE RESTING ON A MINIMUM OF (3) PURLINS, PREFERABLY (4). NO SIMPLE SPAN ROOF PANEL CONDITIONS ARE ALLOWED.
- 3) A MINIMUM OF (4) METAL PANELS IS REQUIRED BETWEEN SIDES OF MULTIPLE TRANSLUCENT PANEL LOCATIONS. TRANSLUCENT PANELS SHALL NOT BE PLACED SIDE BY SIDE.
- 4) TRANSLUCENT PANELS SHALL NOT BE PLACED FROM EAVE TO EAVE.
- 5) TRANSLUCENT PANELS SHALL NOT BE PLACED AT THE LOW EAVE OF THE BUILDING.
- 6) THE LOCATION OF THE FIRST TRANSLUCENT PANEL UP FROM THE LOW EAVE SHOULD BE SET SO THAT THE LOW EAVE METAL PANEL IS SUPPORTED BY (4) PURLINS (OR APPROXIMATELY 15 FEET).
- 7) UL 90 RATING & FLORIDA APPROVAL FOR TRANSLUCENT PANELS IS ONLY AVAILABLE WITH 5" SPACING.



TRANSLUCENT PANEL  
TRAPEZOIDAL PANEL

EM6020

**Detailer Notes:**

- 1) DETAIL IS USED FOR ALL SS360/SSII RATED & NON-RATED JOBS.