

TRANSLUCENT PANELS

EM6010 - CFR TRANSLUCENT PANEL

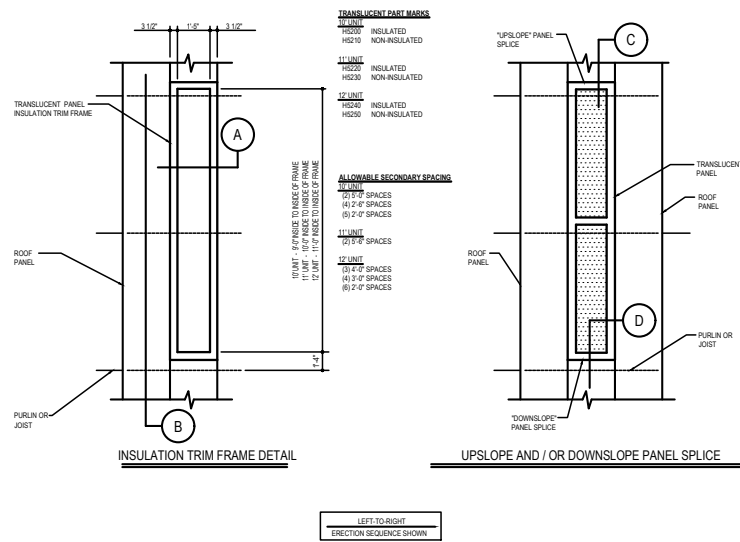
EM6010 - CFR ROOF

[Download the DWG file by clicking here.](#)

C.F.R. TRANSLUCENT ROOF PANEL INSTALLATION INSTRUCTIONS

ERECTOR NOTE: THE DETAILS SHOWN HERE REFLECT LEFT-TO-RIGHT PANEL ERECTION SEQUENCE. IF PANELS ARE BEING INSTALLED FROM RIGHT-TO-LEFT, THE DETAILS ARE OPPOSITE HAND OF WHAT IS SHOWN.

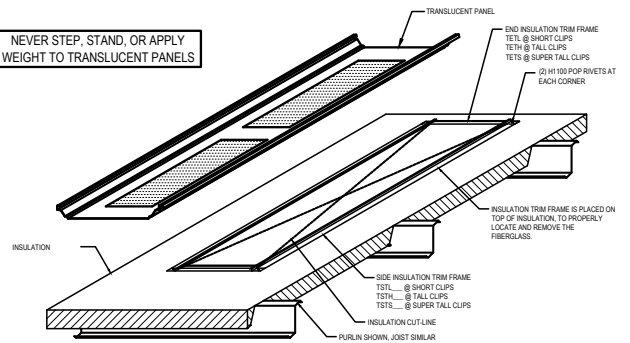
TRANSLUCENT PANEL LAYOUT - PLAN VIEWS



ERECTION NOTES:

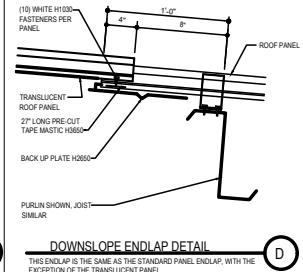
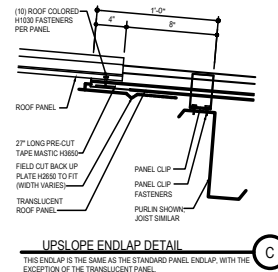
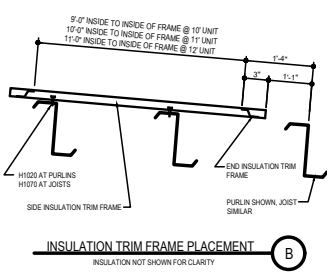
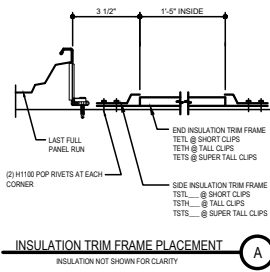
- 1) INSTALL METAL ROOF PANELS UP TO THE TRANSLUCENT PANEL LOCATION.
- 2) PRE-ASSEMBLE INSULATION TRIM FRAME AS SHOWN IN THE DETAILS BELOW.
- 3) PLACE FRAME ON TOP OF THE ROOF INSULATION. USE DIMENSIONS BELOW TO PROPERLY LOCATE FRAME ON THE PURLINS/JOISTS.
- 4) ATTACH THE FRAME TO PURLINS WITH (4) H120'S OR TO JOIST WITH (4) H10'S.
- 5) REMOVE THE FIBERGLASS INSULATION FROM THE BACKING INSIDE THE FRAME AREA.
- 6) MAKE AN 'X' CUT IN THE LINER AS SHOWN.
- 7) FASTEN INSULATION BACKING TO FRAME USING DOUBLE FACED TAPE (BY OTHERS).
- 8) WHEN TRANSLUCENT PANELS ARE USED AT THE RIDGE OR HIGH EAVE PARAPET, FIELD NOTCH TOP OF PANEL TO MATCH ADJACENT PANEL NOTCHES.

NEVER STEP, STAND, OR APPLY WEIGHT TO TRANSLUCENT PANELS



GENERAL NOTES:

- 1) TRANSLUCENT PANELS MUST BE HAND CRIMPED / MECHANICALLY SEAMED THE FULL LENGTH AND ON BOTH SIDES, WITH THE PROPER TOOL, TO ACHIEVE A MINIMUM OF A VISE LOCK SEAM PROFILE.
- 2) TRANSLUCENT PANELS INSTALLED END TO END SHOULD BE SPACED SO THAT THE METAL PANELS ABOVE, BETWEEN AND BELOW ARE RESTING ON A MINIMUM OF (2) PURLINS, PREFERABLY (4). NO SIMPLE-SPAN ROOF PANEL CONDITIONS ARE ALLOWED.
- 3) TRANSLUCENT PANELS SHALL NOT BE PLACED SIDE BY SIDE. A MINIMUM OF (4) METAL PANELS ARE REQUIRED BETWEEN SIDES OF MULTIPLE TRANSLUCENT PANEL LOCATIONS.
- 4) TRANSLUCENT PANELS SHALL NOT BE PLACED FROM EAVE TO EAVE.
- 5) TRANSLUCENT PANELS SHALL NOT BE PLACED AT THE LOW EAVE OF THE BUILDING.
- 6) THE LOCATION OF THE FIRST TRANSLUCENT PANEL UP FROM THE LOW EAVE SHOULD BE SET SO THAT THE LOW EAVE METAL PANEL IS SUPPORTED BY (4) PURLINS (OR APPROXIMATELY 15 FEET).
- 7) TRANSLUCENT PANELS WITH EITHER A UL 90 RATING OR FLORIDA APPROVAL ARE ONLY AVAILABLE WITH 9'-0" SPACING.



TRANSLUCENT PANEL
TRAPEZOIDAL PANEL

EM6010

Detailer Notes:

- 1) DETAIL IS USED FOR ALL CFR RATED & NON-RATED JOBS.
- 2) THIS DETAIL IS TO BE USED WITH INSULATION OVER PURLINS ONLY.