

**EAVE & RAKE EXTENSIONS**

- EO3005 - SOFFIT PANEL ERECTION DETAIL
  - EO3007 - FLAT SL PANEL ATTACHMENT DETAIL
  - EO3010 - LOW EAVE EXTENSION
  - EO3011 - LOW EAVE EXTENSION - IMP WALL
  - EO3214 - EAVE EXTENSION TERMINATION - INSET-FLUSH
  - EO3215 - EAVE EXTENSION TERMINATION - BYPASS
  - EO3308 - RAKE EXTENSION WITH FLAT SL PANEL SOFFIT
  - EO3309 - RAKE EXTENSION - IMP WALL WITH FLAT SL PANEL SOFFIT
  - EO3310 - RAKE EXTENSION
  - EO3311 - RAKE EXTENSION - IMP WALL
  - EO3312 - RAKE EXTENSION TERMINATION - LOW EAVE
  - EO3314 - RAKE EXTENSION TERMINATION - HIGH EAVE
  - EO3410 - HIGH EAVE EXTENSION
  - EO3411 - HIGH EAVE EXTENSION - IMP WALL
  - EO3610 - SOFFIT PANEL ENDLAP
  - EO3615 - SOFFIT PANEL - RIDGE UP TO 1-12
  - EO3616 - SOFFIT PANEL - RIDGE GREATER THAN 1-12
-

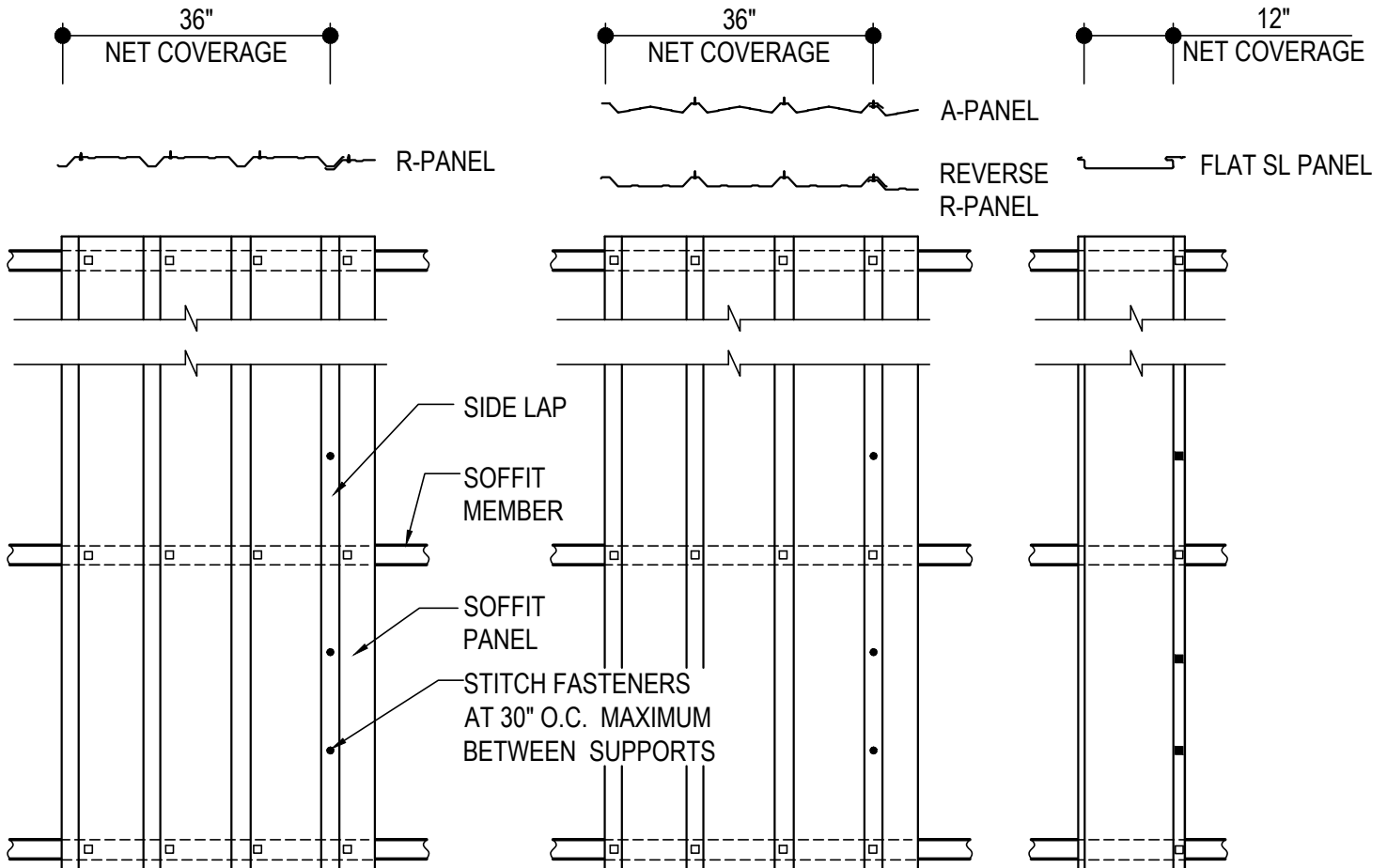
EO3005 - SOFFIT PANEL ERECTION DETAIL

[Download the DWG file by clicking here.](#)

- H1060 STITCH FASTENER
- ▣ H1040 STRUCTURAL FASTENER
- NEGATIVE LOAD CLIP (MK. NLC-1)  
(SEE FLAT SL PANEL ATTACHMENT DETAIL)

**ERECTOR NOTE:**

ERECTION OF THE SOFFIT PANEL MUST BE COORDINATED PROPERLY WITH THE SOFFIT TRIM CONDITIONS AS SHOWN IN THE ERECTION DETAILS. PLACEMENT AND ORIENTATION OF THE SOFFIT PANEL MAY VARY BY CONDITION AND SUPPORT MEMBERS MAY ALSO VARY. USE THIS FASTENING PATTERN UNLESS TRIM SECTION SHOWS A SPECIFIC PATTERN.



**SOFFIT PANEL ERECTION DETAIL**

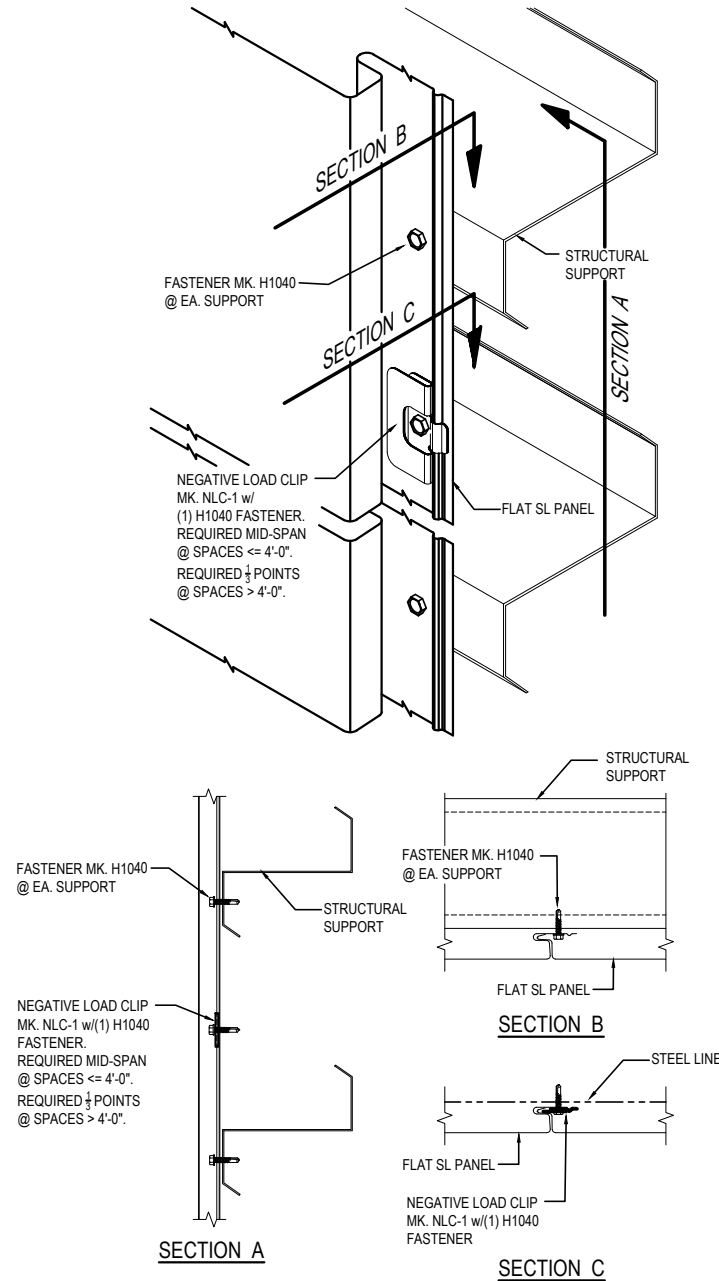
**EO3005**

Detailer Notes:

- 1) THIS DETAIL IS A DUPLICATE OF DO0005, DQ0005, EO6005, EQ3005, EQ6005, HK0005, & IK0005. DUPLICATE DETAILS ARE TO ENSURE THAT THEY ARE PLACED IN ORDER IN THE ERECTION DRAWINGS.

EO3007 - FLAT SL PANEL ATTACHMENT DETAIL

[Download the DWG file by clicking here.](#)



**FLAT SL PANEL ATTACHMENT DETAIL**  
FLAT SL PANEL ATTACHMENT AT COLD FORM SECONDARY

**EO3007**

**Detailer Notes:**

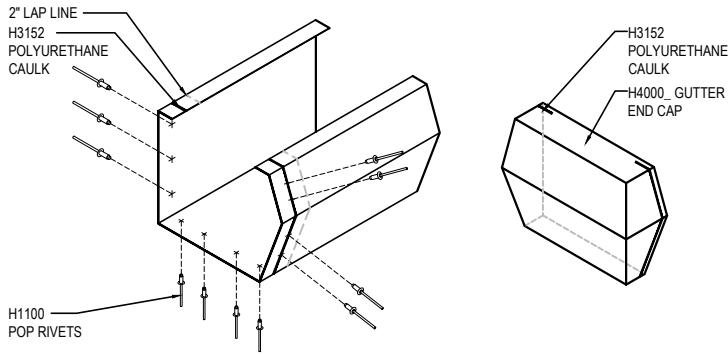
- 1) THIS DETAIL IS A DUPLICATE OF DO0007, DQ0007, EO6007, EQ3007, EQ6007, HK0007, & IK0007. DUPLICATE DETAILS ARE TO ENSURE THAT THEY ARE PLACED IN ORDER IN THE ERECTION DRAWINGS.

## EO3010 - LOW EAVE EXTENSION

[Download the DWG file by clicking here.](#)

### GUTTER LAP & END CAP

APPLY BEAD OF POLYURETHANE CAULK 1" FROM END OF TRIM AND LAP SECTIONS 2" AND FASTEN AS SHOWN. TO TERMINATE THE GUTTER APPLY POLYURETHANE CAULK TO THREE SIDES OF END CAP AND TOP RETURN AREA AS SHOWN AND INSERT 1/2" INTO END OF GUTTER. ATTACH WITH RIVETS SAME AS END LAP.

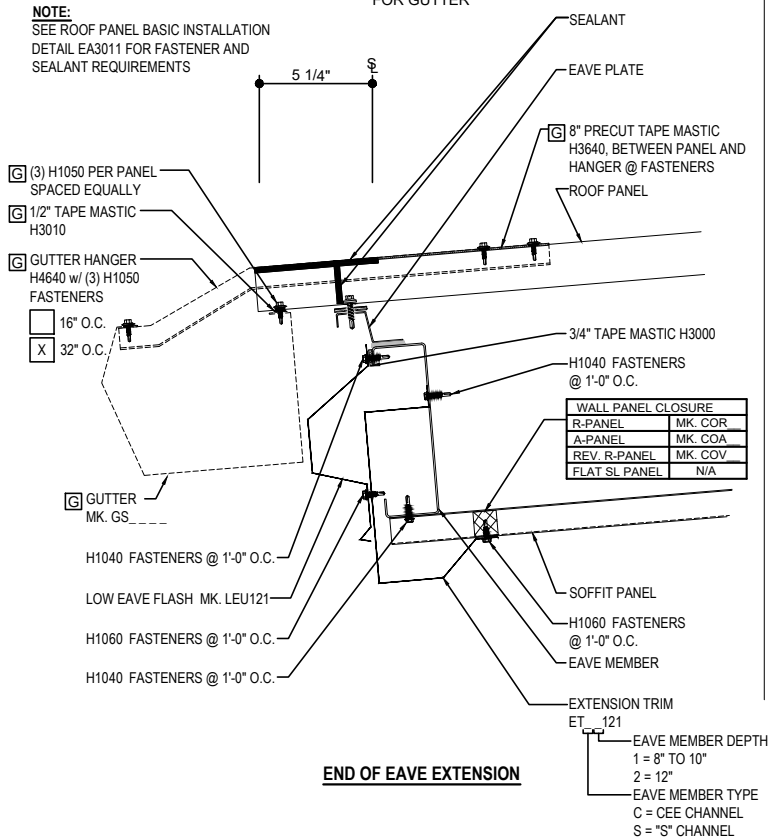


**NOTE 1: PANEL RIB MUST BE SEAMED PRIOR TO INSTALLING GUTTER BRACKET!**

### GUTTER SHOWN IF REQ'D

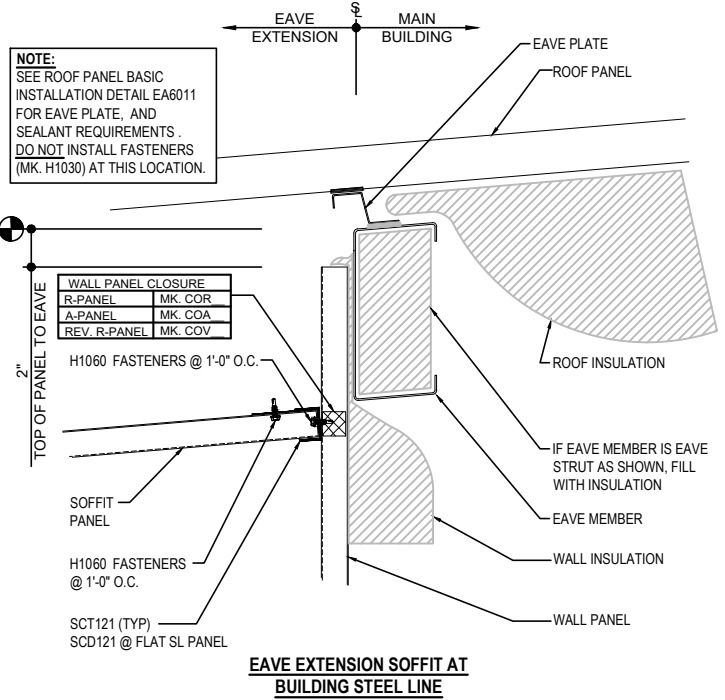
☐ REQ'D ONLY FOR GUTTER

**NOTE:** SEE ROOF PANEL BASIC INSTALLATION DETAIL EA3011 FOR FASTENER AND SEALANT REQUIREMENTS

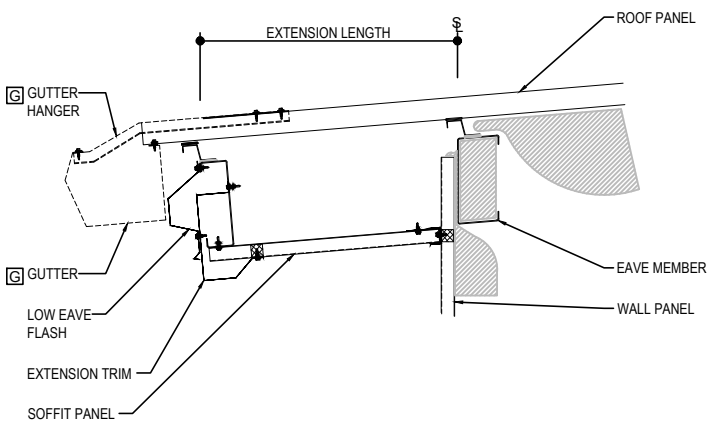


**END OF EAVE EXTENSION**

EAVE MEMBER DEPTH  
1 = 8" TO 10"  
2 = 12"  
EAVE MEMBER TYPE  
C = CEE CHANNEL  
S = "S" CHANNEL



**EAVE EXTENSION SOFFIT AT BUILDING STEEL LINE**



### LOW EAVE EXTENSION

EAVE WITH OR WITHOUT GUTTER DETAIL w/ SOFFIT PANELS  
SEE WALL SHEETING ERECTION NOTES FOR WALL PANEL FASTENER LOCATIONS

**EO3010**

### Detailer Notes:

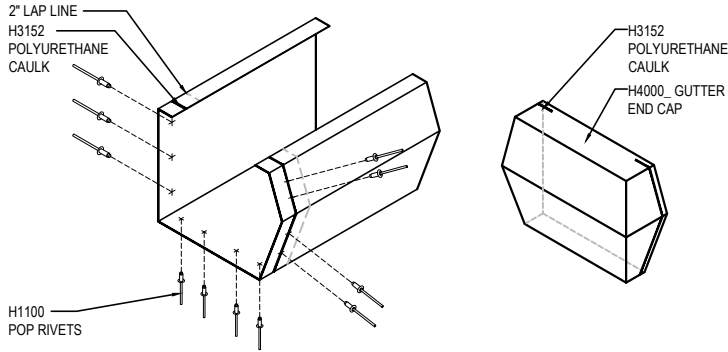
- 1) N/A

**EO3011 - LOW EAVE EXTENSION - IMP WALL**

Download the DWG file by clicking here.

**GUTTER LAP & END CAP**

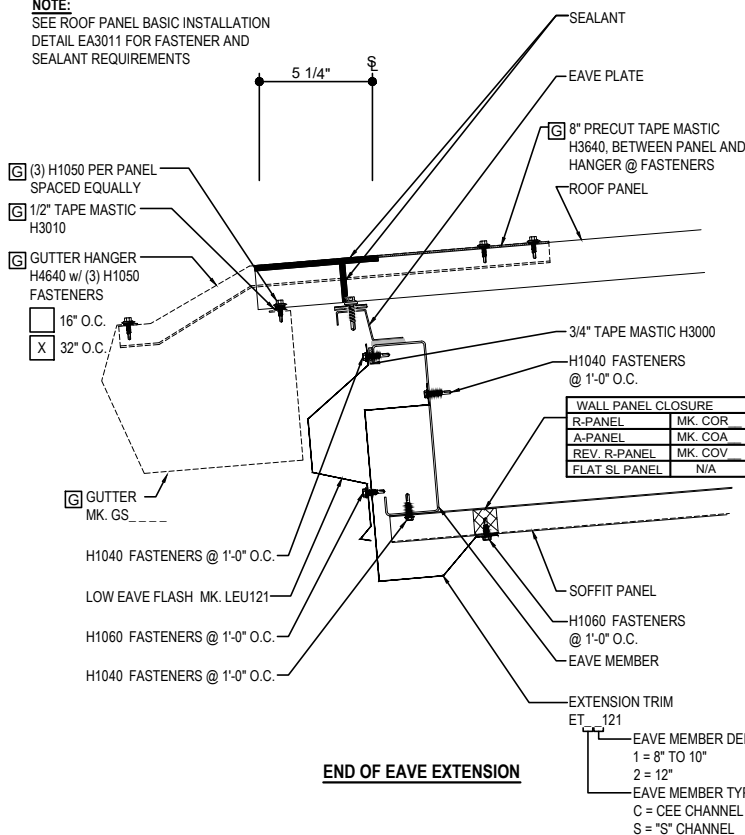
APPLY BEAD OF POLYURETHANE CAULK 1" FROM END OF TRIM AND LAP SECTIONS 2" AND FASTEN AS SHOWN. TO TERMINATE THE GUTTER APPLY POLYURETHANE CAULK TO THREE SIDES OF END CAP AND TOP RETURN AREA AS SHOWN AND INSERT 1/2" INTO END OF GUTTER. ATTACH WITH RIVETS SAME AS END LAP.



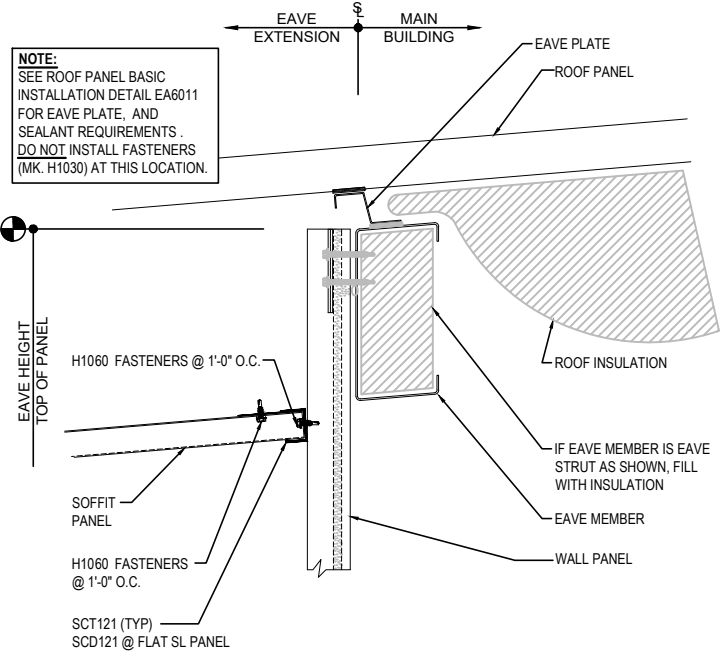
**NOTE 1: PANEL RIB MUST BE SEAMED PRIOR TO INSTALLING GUTTER BRACKET!**

**GUTTER SHOWN IF REQ'D**  
 REQ'D ONLY FOR GUTTER

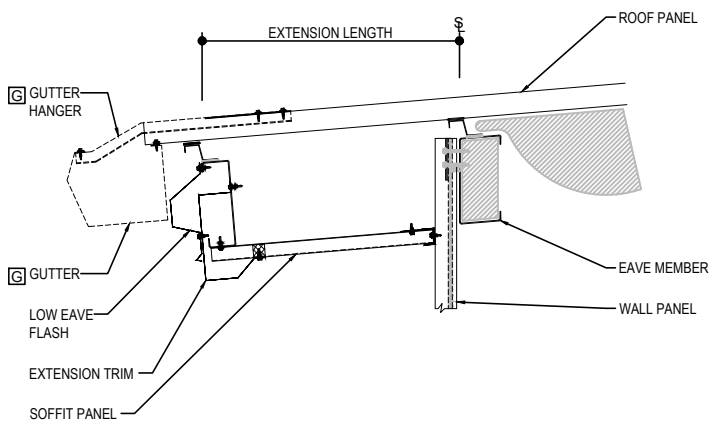
**NOTE:**  
SEE ROOF PANEL BASIC INSTALLATION DETAIL EA3011 FOR FASTENER AND SEALANT REQUIREMENTS



**END OF EAVE EXTENSION**



**EAVE EXTENSION SOFFIT AT BUILDING STEEL LINE**



**LOW EAVE EXTENSION - IMP WALL**

EAVE WITH OR WITHOUT GUTTER DETAIL w/ SOFFIT PANELS  
SEE WALL SHEETING ERECTION NOTES FOR WALL PANEL FASTENER LOCATIONS

**EO3011**

**Detailer Notes:**

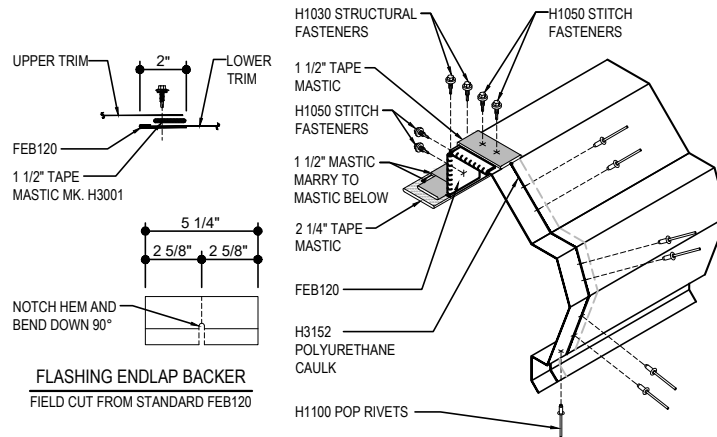
- 1) N/A

EO3214 - EAVE EXTENSION TERMINATION - INSET-FLUSH

[Download the DWG file by clicking here.](#)

**RAKE LAP & FLASHING BACKER**

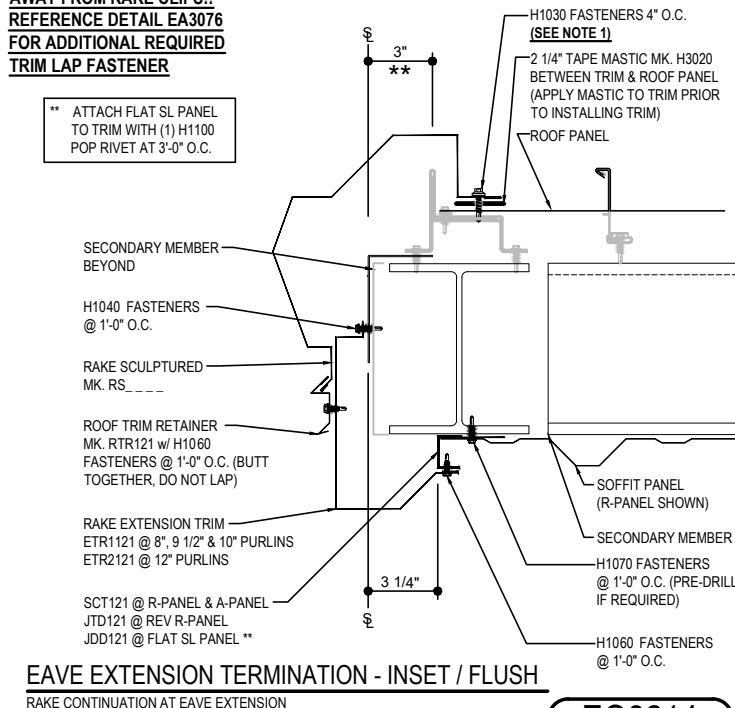
SLIDE FIELD CUT SECTION OF FLASHING ENDLAP BACKER ONTO THE LOWER TRIM PIECE AS SHOWN BELOW. PLACE TAPE MASTIC NEXT TO HEM OF THE BACKER (NOT ON TOP OF HEM). APPLY CONTINUOUS BEAD OF CAULK 1" FROM END OF TRIM DOWN PROFILE OF TRIM. FASTEN LAP WITH STITCH FASTENERS AND POP RIVETS AS SHOWN. ROOF STRUCTURAL FASTENERS SHOULD BE USED TO FASTEN THROUGH PANEL FLAT INTO RAKE ANGLE.



**NOTE 1: KEEP FASTENERS 2 1/2"**

**AWAY FROM RAKE CLIPS!  
REFERENCE DETAIL EA3076  
FOR ADDITIONAL REQUIRED  
TRIM LAP FASTENER**

\*\* ATTACH FLAT SL PANEL TO TRIM WITH (1) H1100 POP RIVET AT 3'-0" O.C.



**EAVE EXTENSION TERMINATION - INSET / FLUSH**

RAKE CONTINUATION AT EAVE EXTENSION

**EO3214**

**Detailer Notes:**

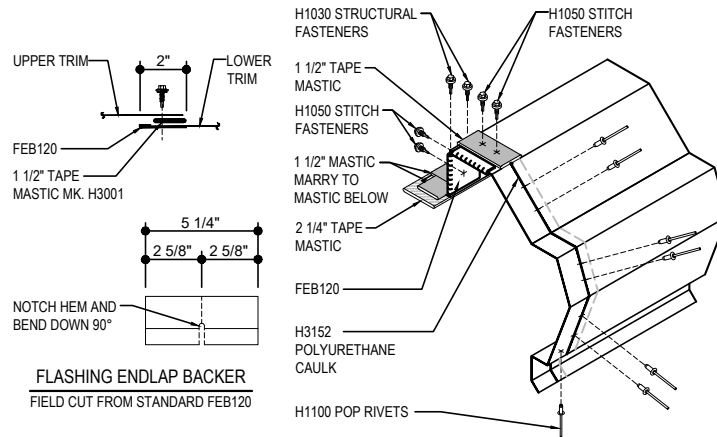
- 1) USE THIS DETAIL WITH FLUSH OR INSET ENDWALL CONDITIONS.

**EO3215 - EAVE EXTENSION TERMINATION - BYPASS**

[Download the DWG file by clicking here.](#)

**RAKE LAP & FLASHING BACKER**

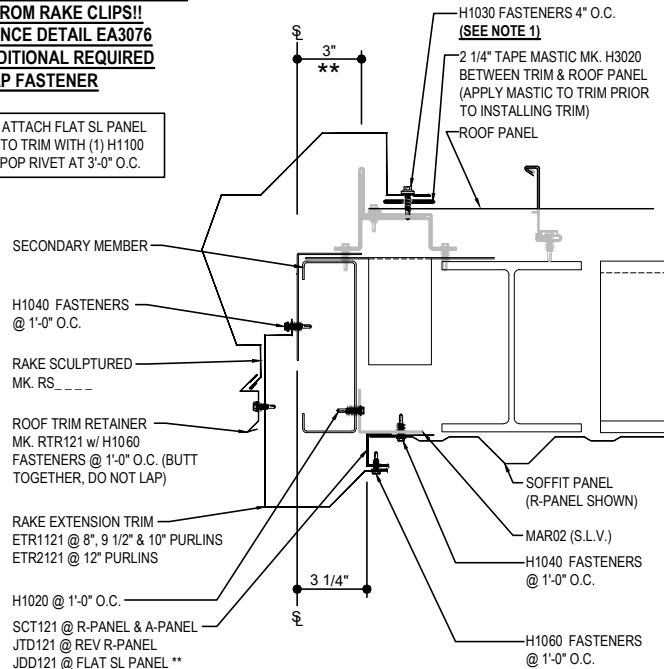
SLIDE FIELD CUT SECTION OF FLASHING ENDLAP BACKER ONTO THE LOWER TRIM PIECE AS SHOWN BELOW. PLACE TAPE MASTIC NEXT TO HEM OF THE BACKER (NOT ON TOP OF HEM). APPLY CONTINUOUS BEAD OF CAULK 1" FROM END OF TRIM DOWN PROFILE OF TRIM. FASTEN LAP WITH STITCH FASTENERS AND POP RIVETS AS SHOWN. ROOF STRUCTURAL FASTENERS SHOULD BE USED TO FASTEN THROUGH PANEL FLAT INTO RAKE ANGLE.



**NOTE 1: KEEP FASTENERS 2 1/2"**

**AWAY FROM RAKE CLIPS!!  
REFERENCE DETAIL EA3076  
FOR ADDITIONAL REQUIRED  
TRIM LAP FASTENER**

\*\* ATTACH FLAT SL PANEL TO TRIM WITH (1) H1100 POP RIVET AT 3'-0" O.C.



**EAVE EXTENSION TERMINATION - BYPASS**

RAKE CONTINUATION AT EAVE EXTENSION

**EO3215**

**Detailer Notes:**

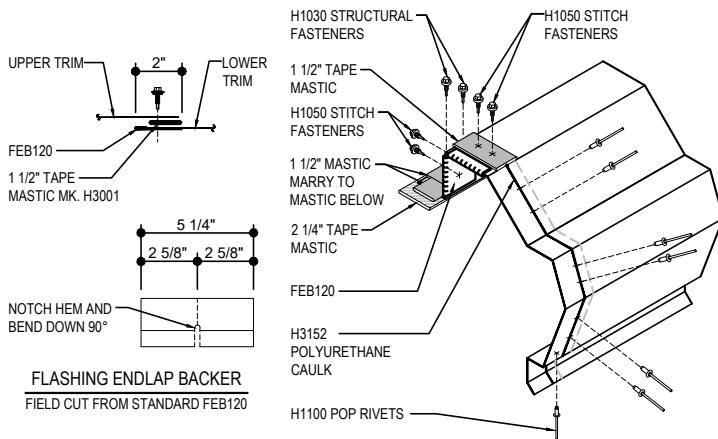
- 1) USE THIS DETAIL WITH BYPASS OR RIGID FRAME ENDWALL CONDITIONS.

**EO3308- RAKE EXTENSION WITH FLAT SL PANEL SOFFIT**

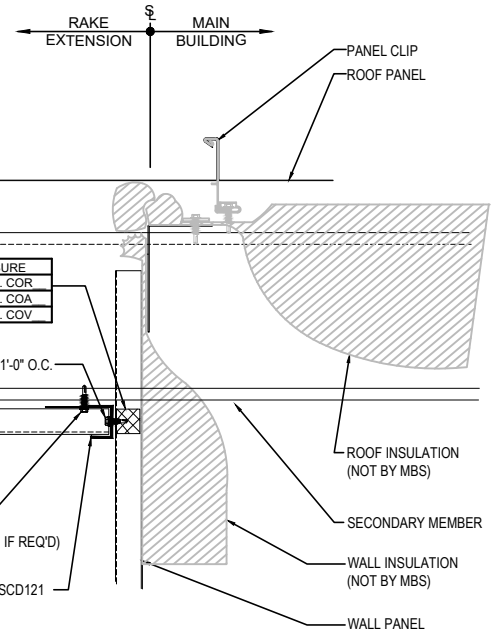
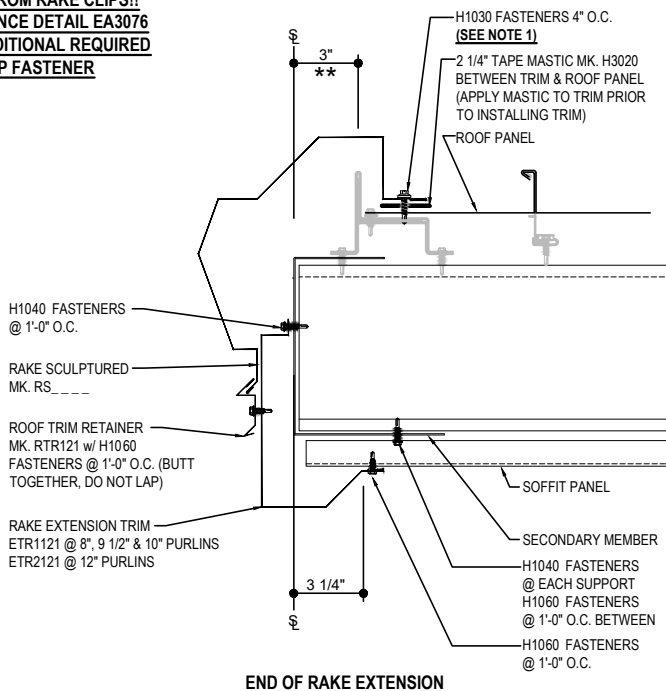
[Download the DWG file by clicking here.](#)

**RAKE LAP & FLASHING BACKER**

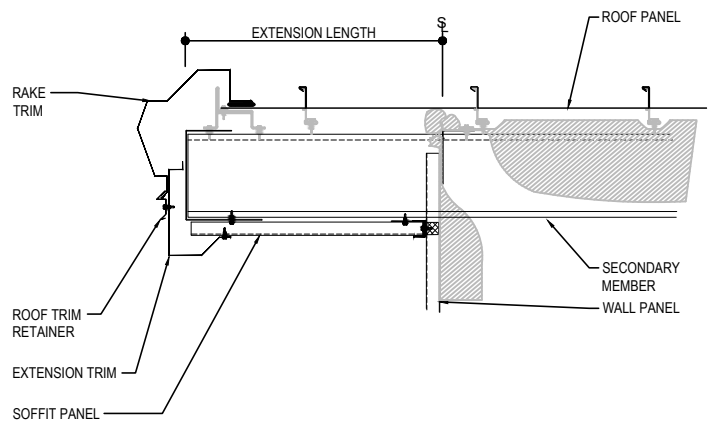
SLIDE FIELD CUT SECTION OF FLASHING ENLAP BACKER ONTO THE LOWER TRIM PIECE AS SHOWN BELOW. PLACE TAPE MASTIC NEXT TO HEM OF THE BACKER (NOT ON TOP OF HEM). APPLY CONTINUOUS BEAD OF CAULK 1" FROM END OF TRIM DOWN PROFILE OF TRIM. FASTEN LAP WITH STITCH FASTENERS AND POP RIVETS AS SHOWN. ROOF STRUCTURAL FASTENERS SHOULD BE USED TO FASTEN THROUGH PANEL FLAT INTO RAKE ANGLE.



**NOTE 1: KEEP FASTENERS 2 1/2" AWAY FROM RAKE CLIPS!! REFERENCE DETAIL EA3076 FOR ADDITIONAL REQUIRED TRIM LAP FASTENER**



**RAKE EXTENSION SOFFIT AT BUILDING STEEL LINE**



**RAKE EXTENSION DETAIL w / FLAT SL PANEL SOFFIT**

RAKE DETAIL w / FLAT SL SOFFIT PANEL PERPENDICULAR TO WALL  
SEE WALL SHEETING ERECTION NOTES FOR WALL PANEL FASTENER LOCATIONS

**EO3308**

**Detailer Notes:**

1) N/A

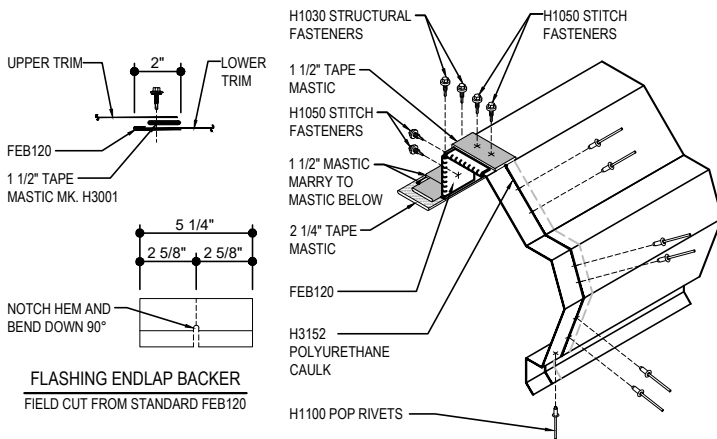


**EO3309 - RAKE EXTENSION - IMP WALL WITH FLAT SL PANEL SOFFIT**

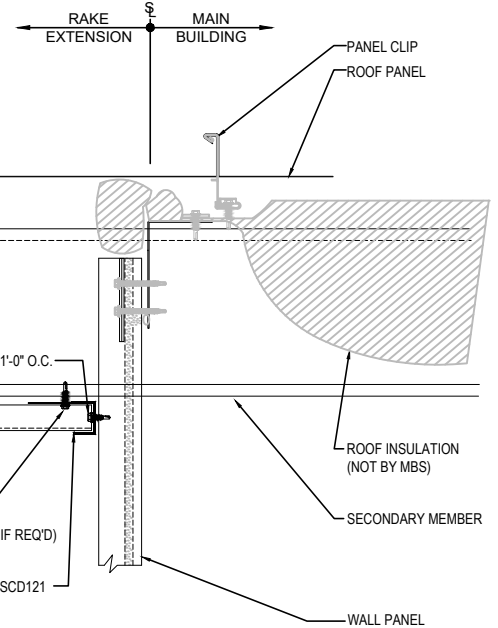
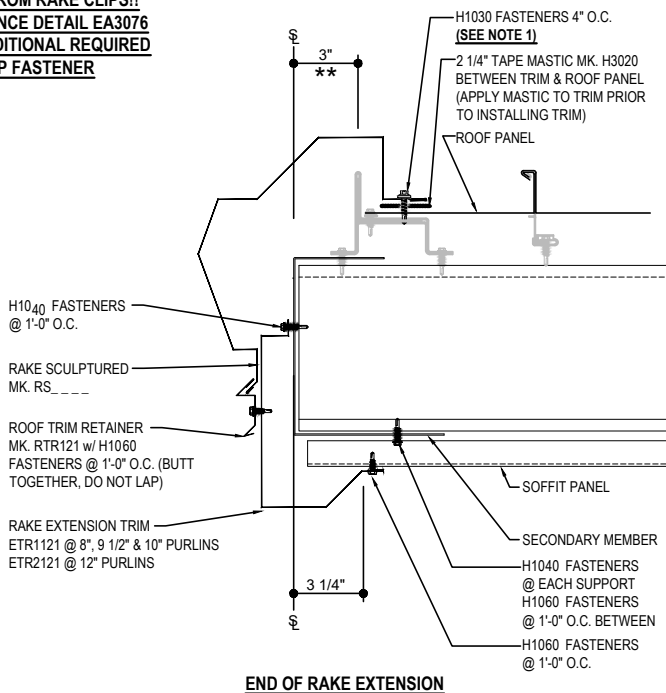
[Download the DWG file by clicking here.](#)

**RAKE LAP & FLASHING BACKER**

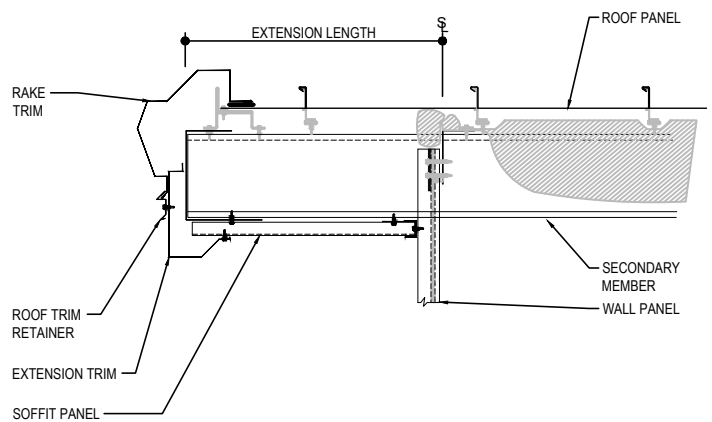
SLIDE FIELD CUT SECTION OF FLASHING ENLAP BACKER ONTO THE LOWER TRIM PIECE AS SHOWN BELOW. PLACE TAPE MASTIC NEXT TO HEM OF THE BACKER (NOT ON TOP OF HEM). APPLY CONTINUOUS BEAD OF CAULK 1" FROM END OF TRIM DOWN PROFILE OF TRIM. FASTEN LAP WITH STITCH FASTENERS AND POP RIVETS AS SHOWN. ROOF STRUCTURAL FASTENERS SHOULD BE USED TO FASTEN THROUGH PANEL FLAT INTO RAKE ANGLE.



**NOTE 1: KEEP FASTENERS 2 1/2" AWAY FROM RAKE CLIPS!! REFERENCE DETAIL EA3076 FOR ADDITIONAL REQUIRED TRIM LAP FASTENER**



**RAKE EXTENSION SOFFIT AT BUILDING STEEL LINE**



**RAKE EXTENSION - IMP WALL w / FLAT SL PANEL SOFFIT**

RAKE DETAIL w / FLAT SL PANEL PERPENDICULAR TO WALL  
 SEE WALL SHEETING ERECTION NOTES FOR WALL PANEL FASTENER LOCATIONS

**EO3309**

**Detailer Notes:**

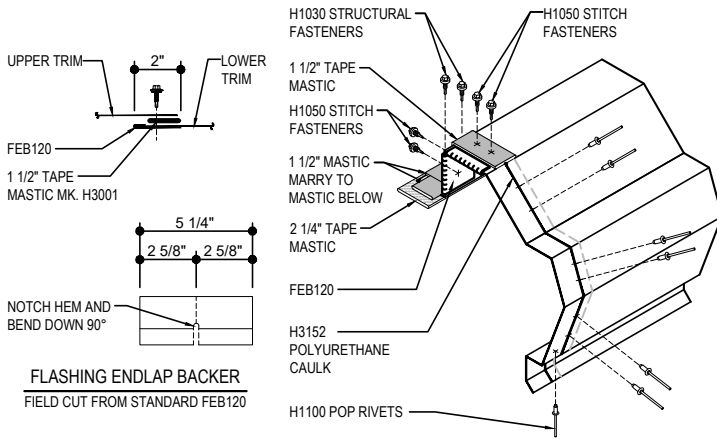
- 1) N/A

**EO3310 - RAKE EXTENSION**

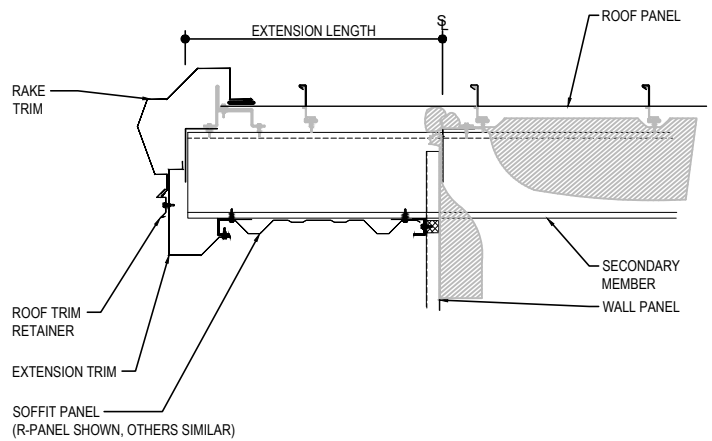
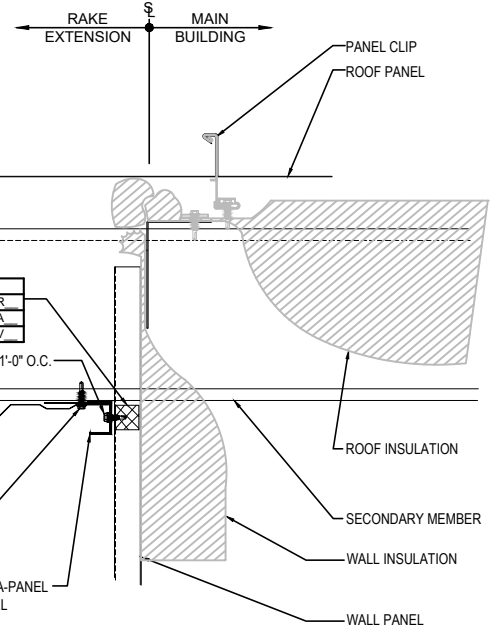
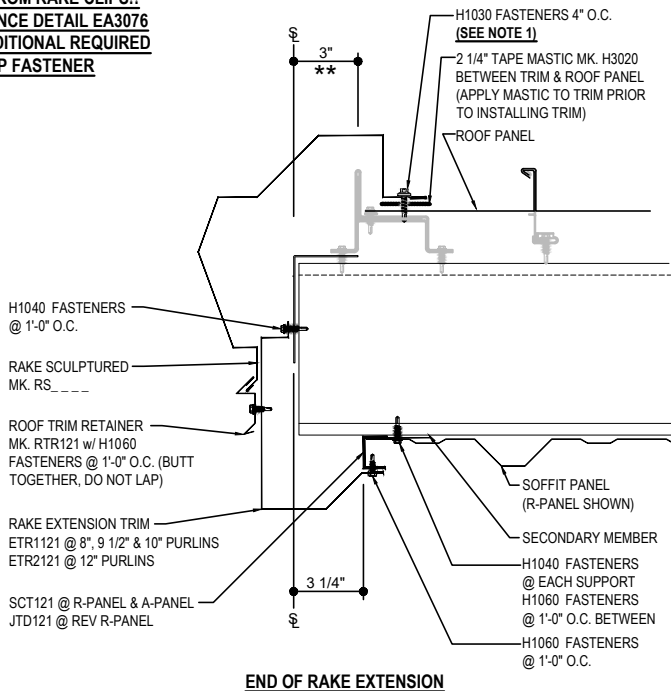
[Download the DWG file by clicking here.](#)

**RAKE LAP & FLASHING BACKER**

SLIDE FIELD CUT SECTION OF FLASHING ENLAP BACKER ONTO THE LOWER TRIM PIECE AS SHOWN BELOW. PLACE TAPE MASTIC NEXT TO HEM OF THE BACKER (NOT ON TOP OF HEM). APPLY CONTINUOUS BEAD OF CAULK 1" FROM END OF TRIM DOWN PROFILE OF TRIM. FASTEN LAP WITH STITCH FASTENERS AND POP RIVETS AS SHOWN. ROOF STRUCTURAL FASTENERS SHOULD BE USED TO FASTEN THROUGH PANEL FLAT INTO RAKE ANGLE.



**NOTE 1: KEEP FASTENERS 2 1/2" AWAY FROM RAKE CLIPS!! REFERENCE DETAIL EA3076 FOR ADDITIONAL REQUIRED TRIM LAP FASTENER**



**RAKE EXTENSION DETAIL**

RAKE DETAIL w/ SOFFIT PANELS  
SEE WALL SHEETING ERECTION NOTES FOR WALL PANEL FASTENER LOCATIONS

**EO3310**

**Detailer Notes:**

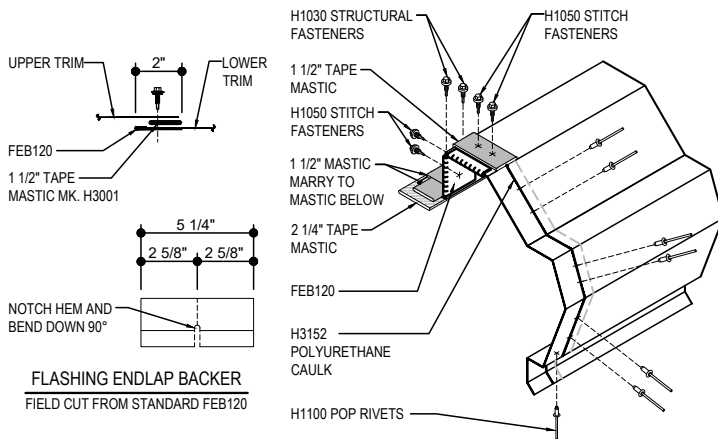
1) N/A

## EO3311 - RAKE EXTENSION - IMP WALL

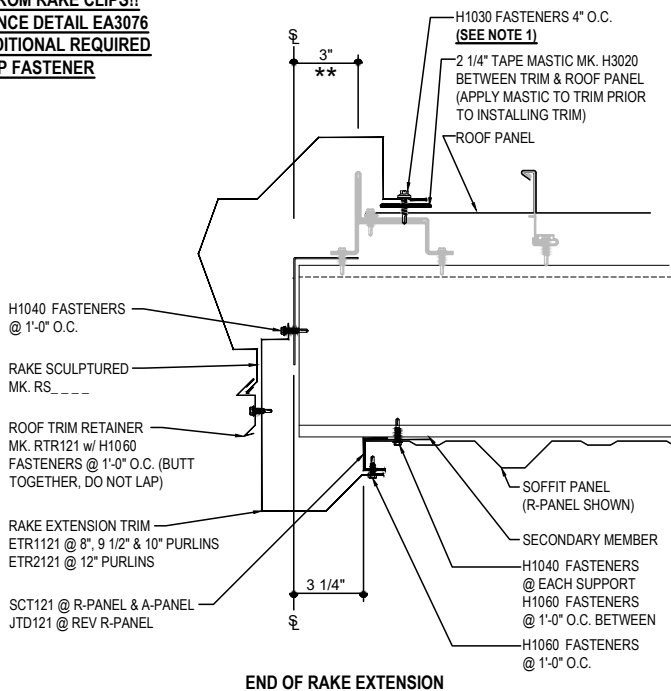
[Download the DWG file by clicking here.](#)

### RAKE LAP & FLASHING BACKER

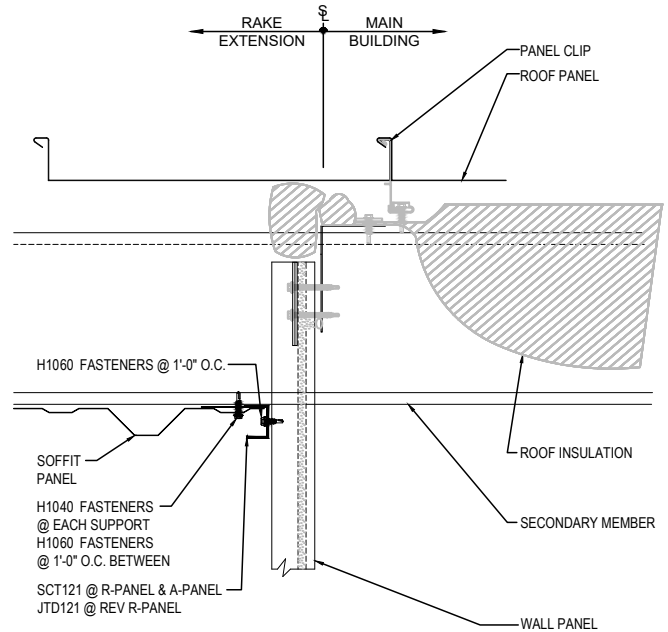
SLIDE FIELD CUT SECTION OF FLASHING ENLAP BACKER ONTO THE LOWER TRIM PIECE AS SHOWN BELOW. PLACE TAPE MASTIC NEXT TO HEM OF THE BACKER (NOT ON TOP OF HEM). APPLY CONTINUOUS BEAD OF CAULK 1" FROM END OF TRIM DOWN PROFILE OF TRIM. FASTEN LAP WITH STITCH FASTENERS AND POP RIVETS AS SHOWN. ROOF STRUCTURAL FASTENERS SHOULD BE USED TO FASTEN THROUGH PANEL FLAT INTO RAKE ANGLE.



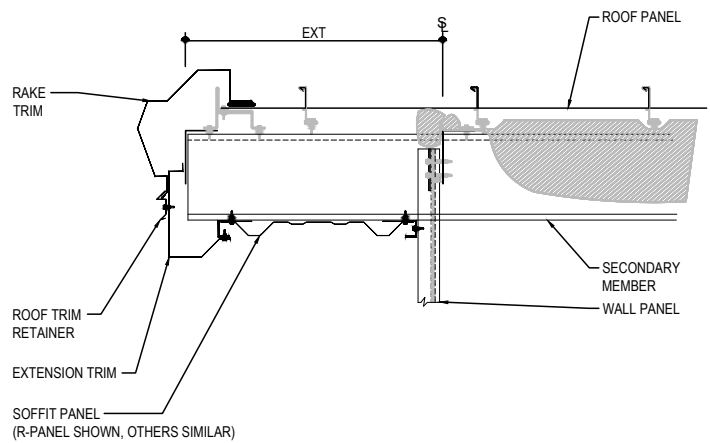
**NOTE 1: KEEP FASTENERS 2 1/2" AWAY FROM RAKE CLIPS!! REFERENCE DETAIL EA3076 FOR ADDITIONAL REQUIRED TRIM LAP FASTENER**



**END OF RAKE EXTENSION**



**RAKE EXTENSION SOFFIT AT BUILDING STEEL LINE**



**RAKE EXTENSION DETAIL**

RAKE DETAIL w/ SOFFIT PANELS  
SEE WALL SHEETING ERECTION NOTES FOR WALL PANEL FASTENER LOCATIONS

**EO3311**

### Detailer Notes:

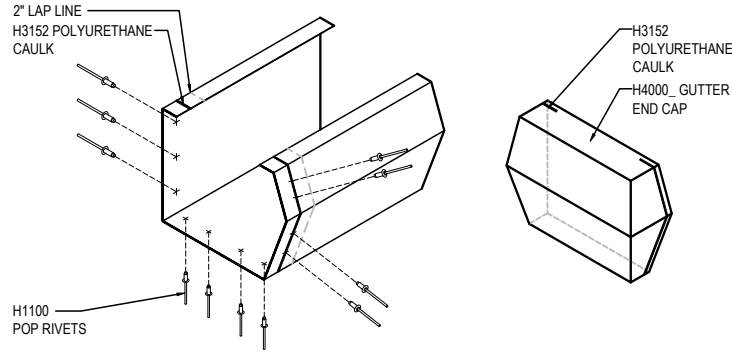
- 1) N/A

**EO3312 - RAKE EXTENSION TERMINATION - LOW EAVE**

[Download the DWG file by clicking here.](#)

**GUTTER LAP & END CAP**

APPLY BEAD OF POLYURETHANE CAULK 1" FROM END OF TRIM AND LAP SECTIONS 2" AND FASTEN AS SHOWN. TO TERMINATE THE GUTTER APPLY POLYURETHANE CAULK TO THREE SIDES OF END CAP AND TOP RETURN AREA AS SHOWN AND INSERT 1/2" INTO END OF GUTTER. ATTACH WITH RIVETS SAME AS END LAP.

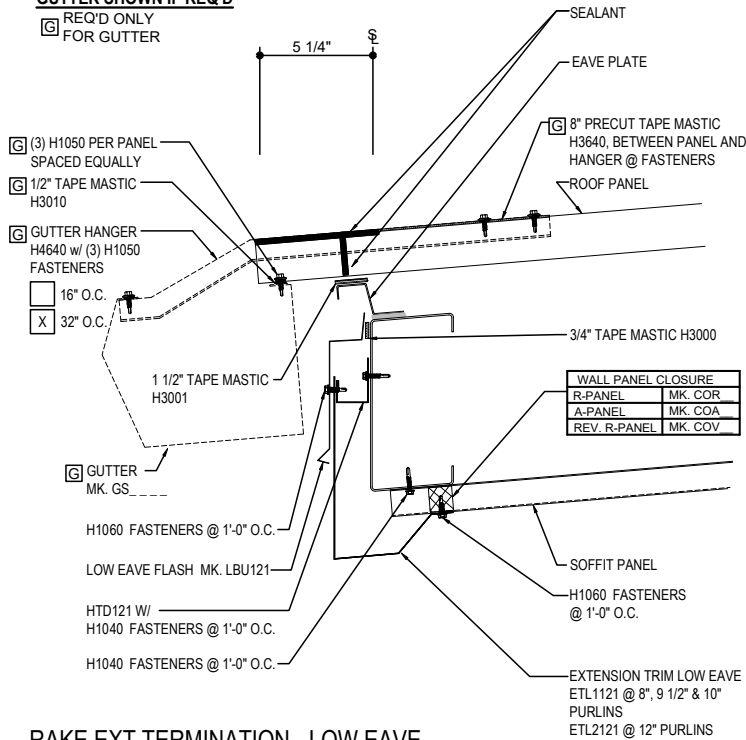


**NOTE 1: PANEL RIB MUST BE SEAMED PRIOR TO INSTALLING GUTTER BRACKET!**

**NOTE: SEE ROOF PANEL BASIC INSTALLATION DETAIL EA3011 FOR FASTENER AND SEALANT REQUIREMENTS**

**GUTTER SHOWN IF REQ'D**

REQ'D ONLY FOR GUTTER



**RAKE EXT TERMINATION - LOW EAVE**

EAVE WITH OR WITHOUT GUTTER CONTINUATION AT RAKE EXTENSION

**EO3312**

**Detailer Notes:**

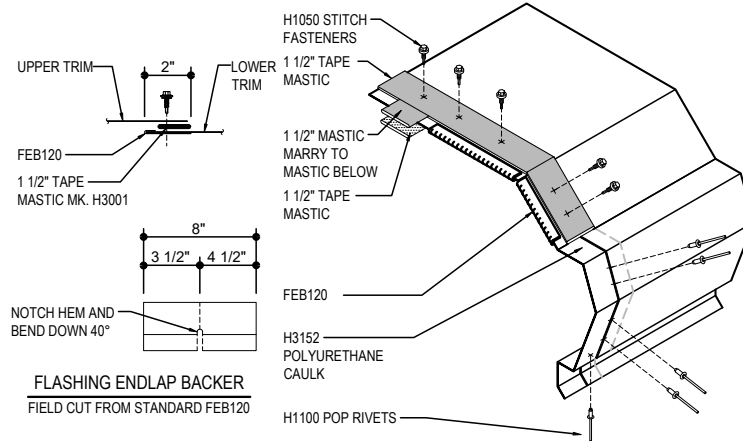
- 1) N/A

EO3314 - RAKE EXTENSION TERMINATION - HIGH EAVE

[Download the DWG file by clicking here.](#)

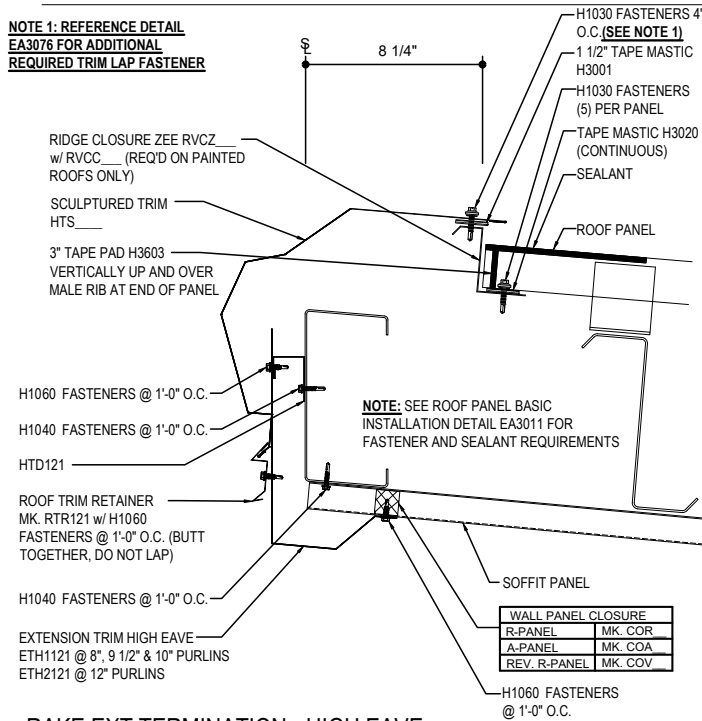
**HIGH EAVE LAP & FLASHING BACKER**

SLIDE FIELD CUT SECTION FLASHING ENDLAP BACKER ONTO THE LOWER TRIM PIECE. PLACE TAPE MASTIC NEXT TO HEM OF THE BACKER (NOT ON TOP OF HEM). APPLY CONTINUOUS BEAD OF CAULK 1" FROM END OF TRIM DOWN PROFILE OF TRIM. FASTEN LAP WITH STITCH FASTENERS AND POP RIVETS AS SHOWN.



**FLASHING ENDLAP BACKER**  
FIELD CUT FROM STANDARD FEB120

**NOTE 1: REFERENCE DETAIL EA3076 FOR ADDITIONAL REQUIRED TRIM LAP FASTENER**



**RAKE EXT TERMINATION - HIGH EAVE**

HIGH EAVE CONTINUATION AT RAKE EXTENSION

WALL PANEL CLOSURE	
R-PANEL	MK. COR
A-PANEL	MK. COA
REV. R-PANEL	MK. COV

**EO3314**

**Detailer Notes:**

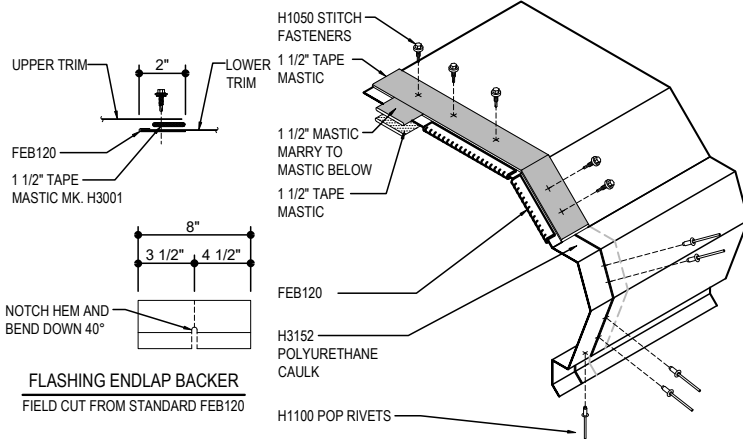
- 1) N/A

**EO3410 - HIGH EAVE EXTENSION**

[Download the DWG file by clicking here.](#)

**HIGH EAVE LAP & FLASHING BACKER**

SLIDE FIELD CUT SECTION FLASHING ENDLAP BACKER ONTO THE LOWER TRIM PIECE. PLACE TAPE MASTIC NEXT TO HEM OF THE BACKER (NOT ON TOP OF HEM). APPLY CONTINUOUS BEAD OF CAULK 1" FROM END OF TRIM DOWN PROFILE OF TRIM. FASTEN LAP WITH STITCH FASTENERS AND POP RIVETS AS SHOWN.

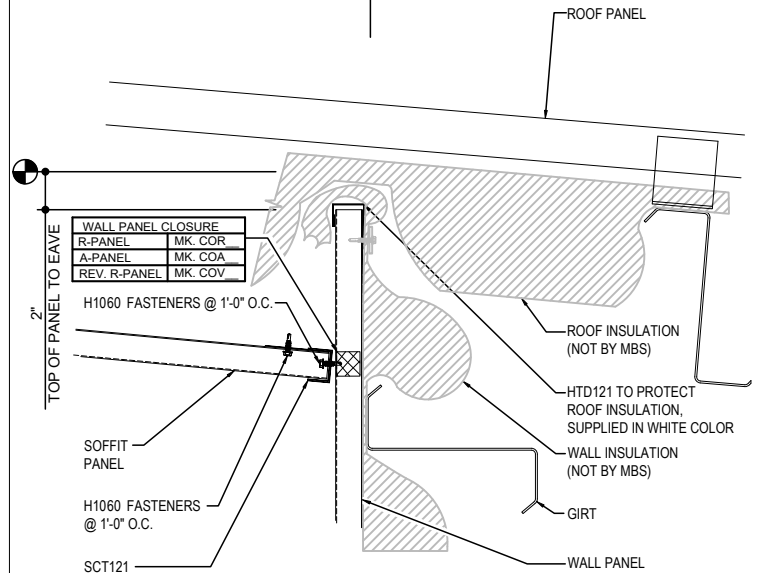
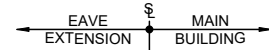
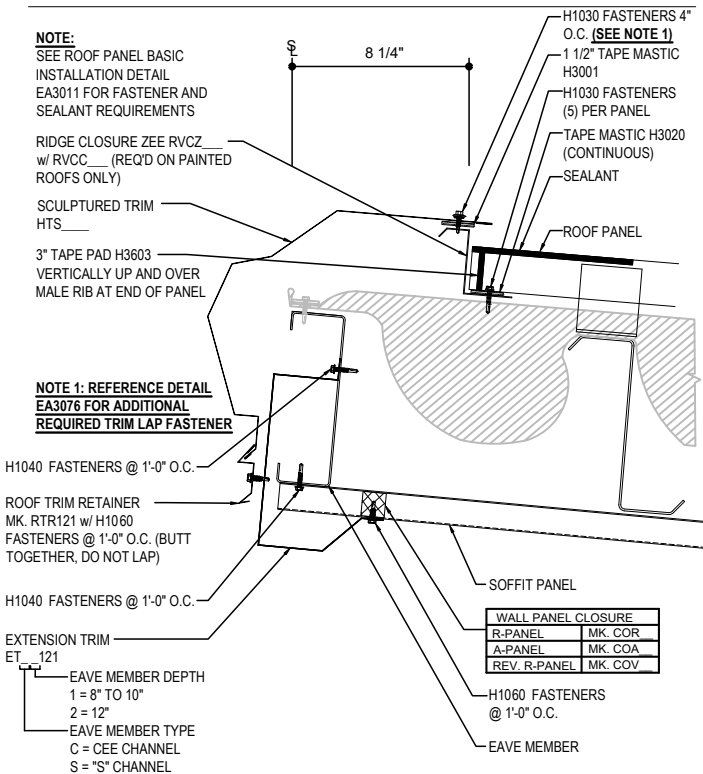


**NOTE:**  
SEE ROOF PANEL BASIC INSTALLATION DETAIL EA3011 FOR FASTENER AND SEALANT REQUIREMENTS

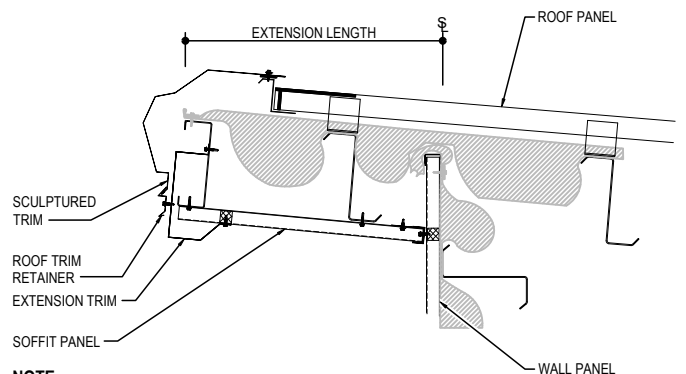
RIDGE CLOSURE ZEE RVCC w/ RVCC (REQD ON PAINTED ROOFS ONLY)

SCULPTURED TRIM HTS  
3" TAPE PAD H3603 VERTICALLY UP AND OVER MALE RIB AT END OF PANEL

**NOTE 1: REFERENCE DETAIL EA3076 FOR ADDITIONAL REQUIRED TRIM LAP FASTENER**



**EAVE EXTENSION SOFFIT AT BUILDING STEEL LINE**



**NOTE:**  
ROOF INSULATION NEEDS TO EXTEND OVER PURLINS TO PROVIDE SUPPORT UNDER PANEL AT PURLIN LOCATIONS. WALL INSULATION TERMINATION SHOWN IS A SUGGESTION BUT MAY VARY.

**HIGH EAVE EXTENSION DETAIL**

HIGH EAVE DETAIL w/ SOFFIT PANELS  
SEE WALL SHEETING ERECTION NOTES FOR WALL PANEL FASTENER LOCATIONS

**EO3410**

**Detailer Notes:**

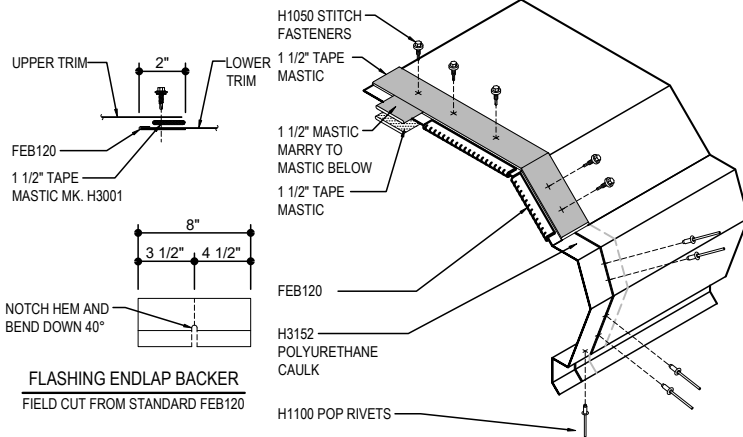
1) EXTENSIONS BETWEEN 1'-3" AND 1'-8" - PURLIN WILL INTERFERE WITH WALL PANEL AND DETAIL WILL HAVE TO BE MODIFIED TO ADJUST WALL PANEL SET DOWN TO KEEP PURLIN AT 1'-4" FROM STEEL LINE.

**EO3411 - HIGH EAVE EXTENSION - IMP WALL**

[Download the DWG file by clicking here.](#)

**HIGH EAVE LAP & FLASHING BACKER**

SLIDE FIELD CUT SECTION FLASHING ENDLAP BACKER ONTO THE LOWER TRIM PIECE. PLACE TAPE MASTIC NEXT TO HEM OF THE BACKER (NOT ON TOP OF HEM). APPLY CONTINUOUS BEAD OF CAULK 1" FROM END OF TRIM DOWN PROFILE OF TRIM. FASTEN LAP WITH STITCH FASTENERS AND POP RIVETS AS SHOWN.

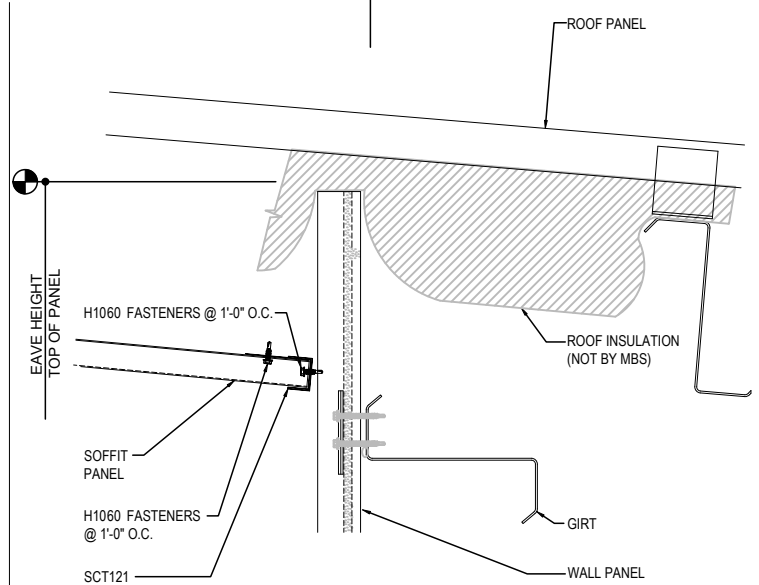
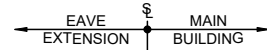
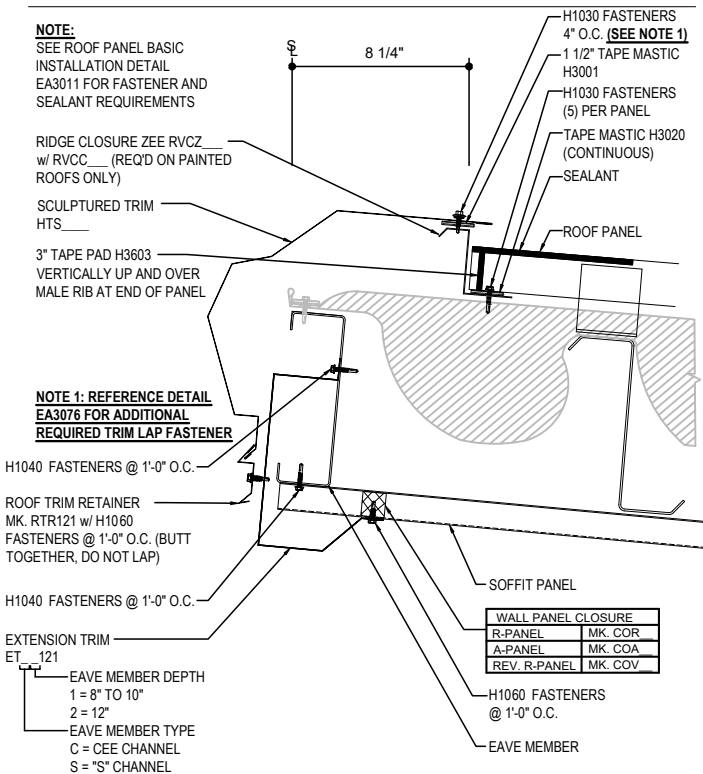


**NOTE:**  
SEE ROOF PANEL BASIC INSTALLATION DETAIL EA3011 FOR FASTENER AND SEALANT REQUIREMENTS

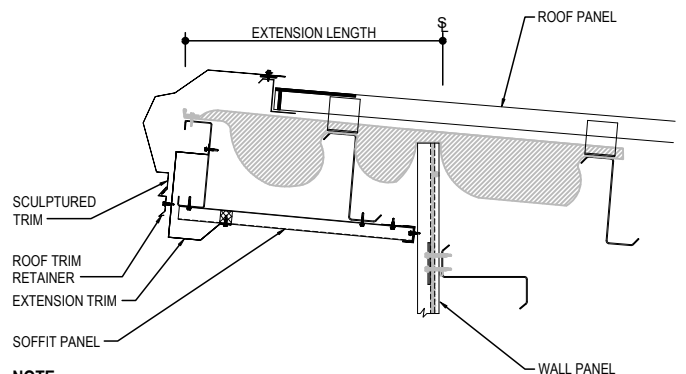
RIDGE CLOSURE ZEE RVCC w/ RVCC (REQD ON PAINTED ROOFS ONLY)

SCULPTURED TRIM HTS  
3" TAPE PAD H3603 VERTICALLY UP AND OVER MALE RIB AT END OF PANEL

**NOTE 1: REFERENCE DETAIL EA3076 FOR ADDITIONAL REQUIRED TRIM LAP FASTENER**



**EAVE EXTENSION SOFFIT AT BUILDING STEEL LINE**



**NOTE:**  
ROOF INSULATION NEEDS TO EXTEND OVER PURLINS TO PROVIDE SUPPORT UNDER PANEL AT PURLIN LOCATIONS. WALL INSULATION TERMINATION SHOWN IS A SUGGESTION BUT MAY VARY.

**HIGH EAVE EXTENSION DETAIL**

HIGH EAVE DETAIL w/ SOFFIT PANELS  
SEE WALL SHEETING ERECTION NOTES FOR WALL PANEL FASTENER LOCATIONS

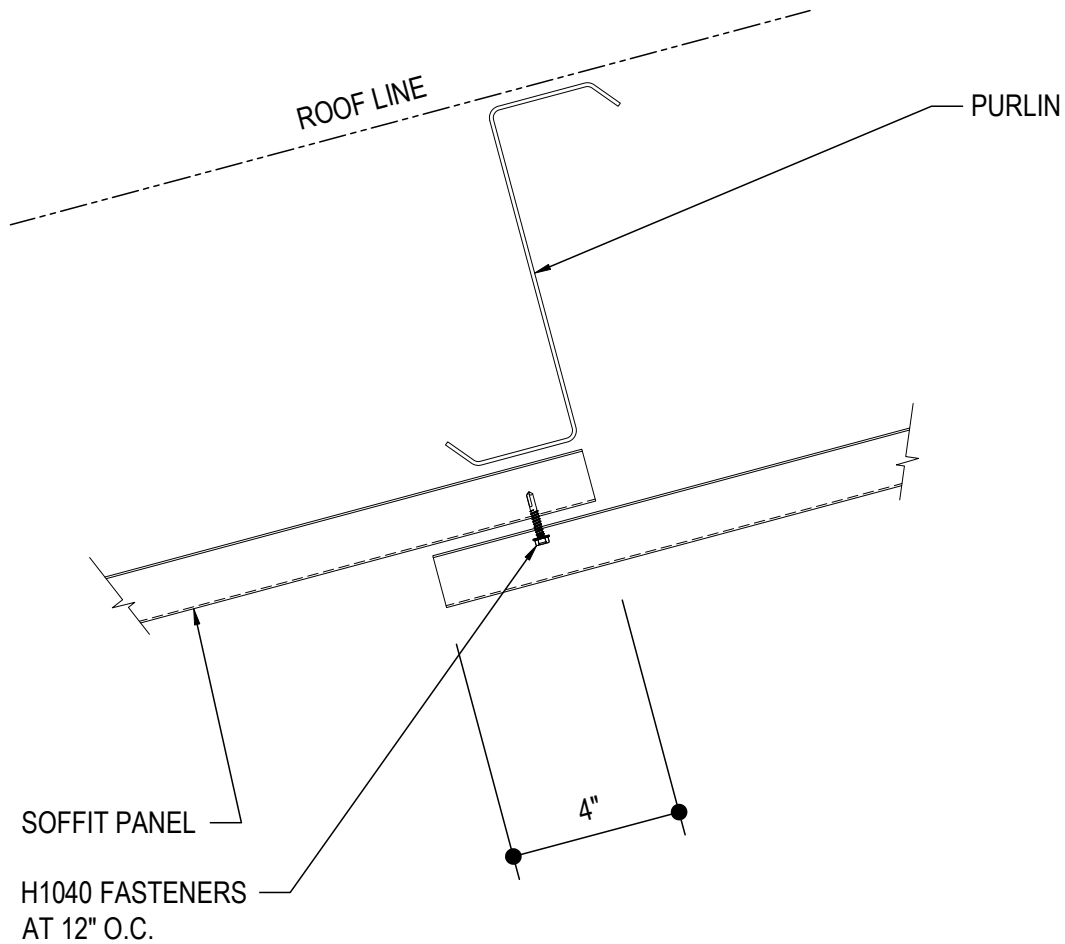
**EO3411**

**Detailer Notes:**

1) EXTENSIONS BETWEEN 1'-3" AND 1'-8" - PURLIN WILL INTERFERE WITH WALL PANEL AND DETAIL WILL HAVE TO BE MODIFIED TO ADJUST WALL PANEL SET DOWN TO KEEP PURLIN AT 1'-4" FROM STEEL LINE.

EO3610 - SOFFIT PANEL ENDLAP

[Download the DWG file by clicking here.](#)



**SOFFIT PANEL ENDLAP**

**EO3610**

Detailer Notes:

- 1) N/A

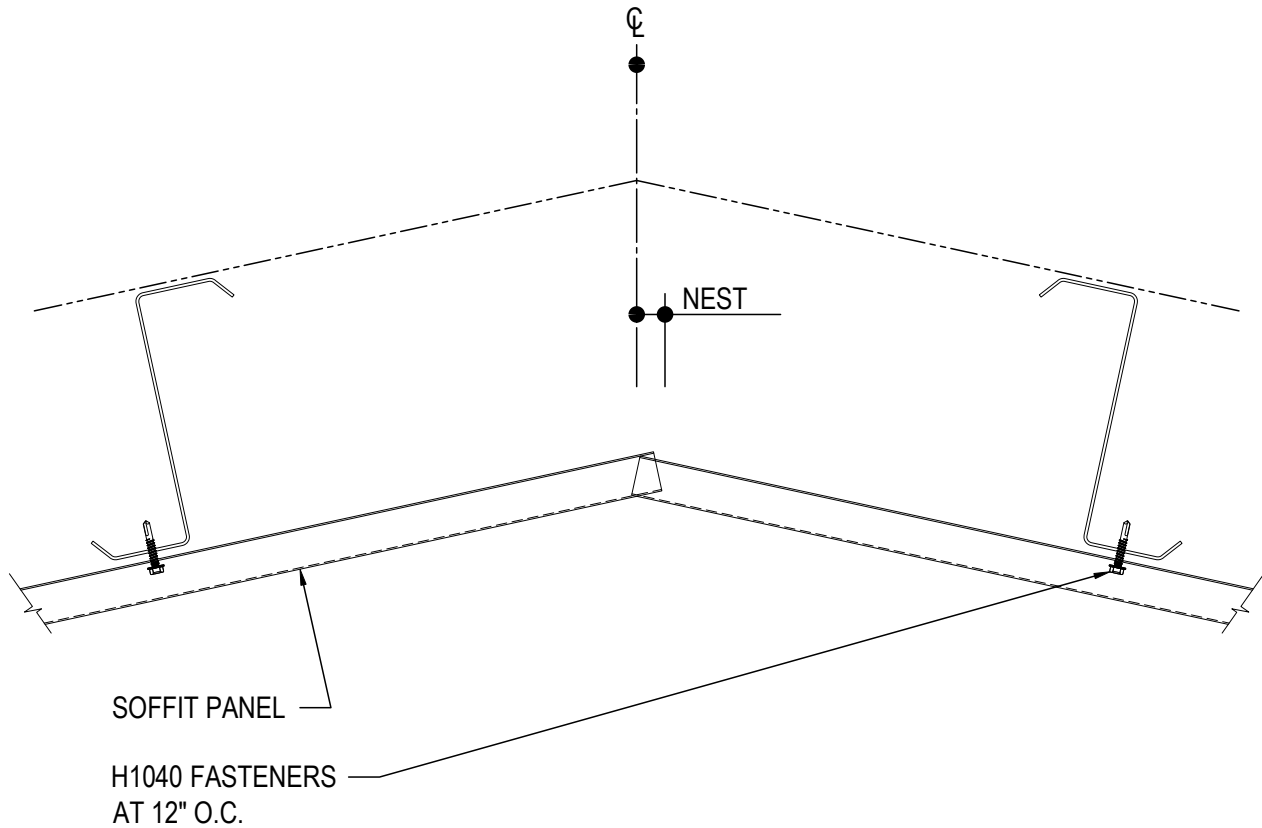


EO3615 - SOFFIT PANEL - RIDGE  $\leq$  1:12

[Download the DWG file by clicking here.](#)

**ERECTOR NOTE:**

EXTEND THE PANEL PAST THE CENTERLINE OF THE RIDGE ON ONE SIDE OF THE RIDGE AS SHOWN. NEST THE OTHER PANEL INTO THE PROFILE.



## SOFFIT PANEL RIDGE DETAIL

SOFFIT PANEL - SLOPES  $\leq$  1:12  
ALL STANDARD SOFFIT PANEL TYPES

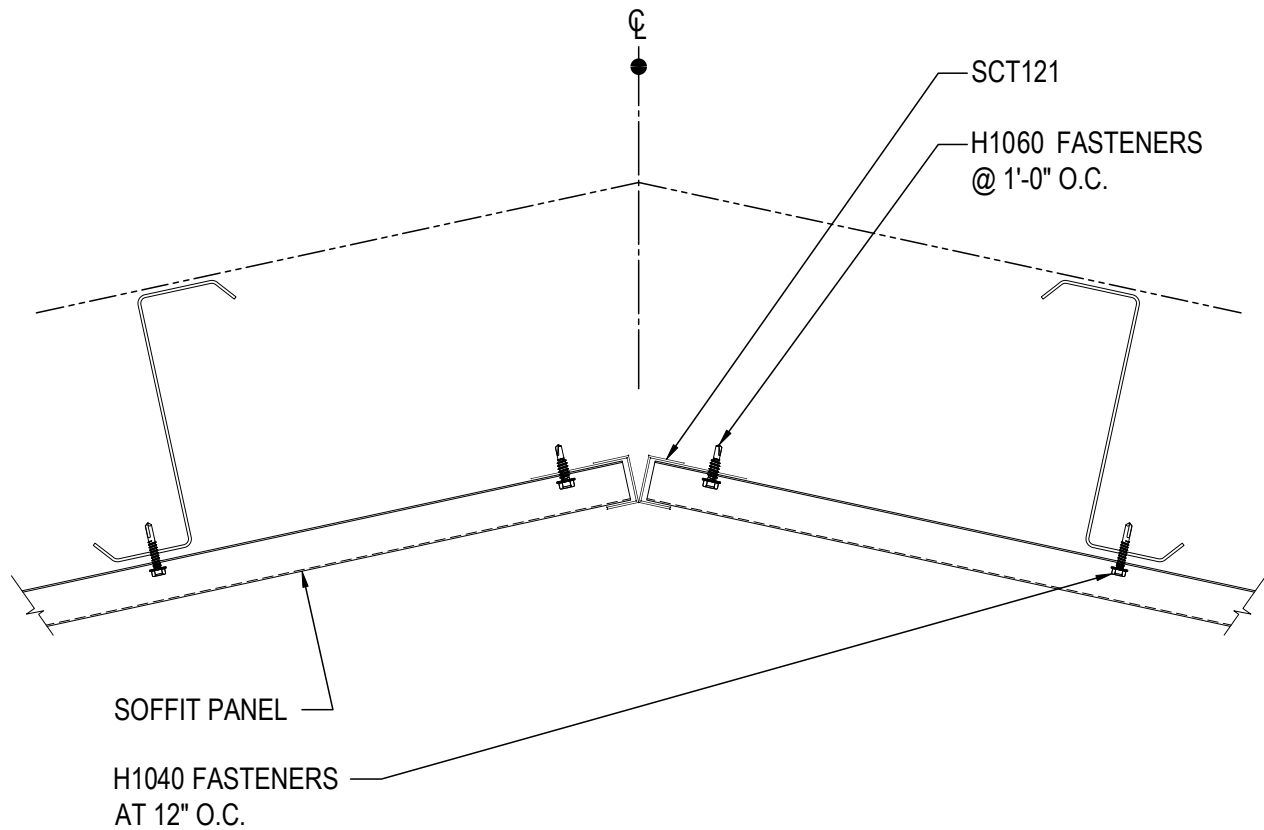
**EO3615**

Detailer Notes:

1) N/A

EO3616 - SOFFIT PANEL - RIDGE > 1:12

[Download the DWG file by clicking here.](#)



## SOFFIT PANEL RIDGE DETAIL

SOFFIT PANEL - SLOPES >1:12  
ALL STANDARD SOFFIT PANEL TYPES

**EO3616**

Detailer Notes:

1) N/A