

**LOW EAVE (GUTTER)**

FD2010 - ON-SLOPE GUTTER - WALL PANEL

FD2050 - ON-SLOPE GUTTER - WALL BY OTHERS

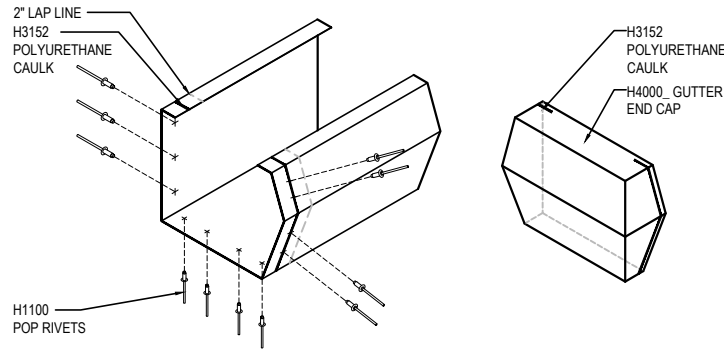
FD2610 - ON-SLOPE GUTTER - INSULATED WALL PANELS

FD2010 - ON-SLOPE GUTTER w/ WALL PANEL

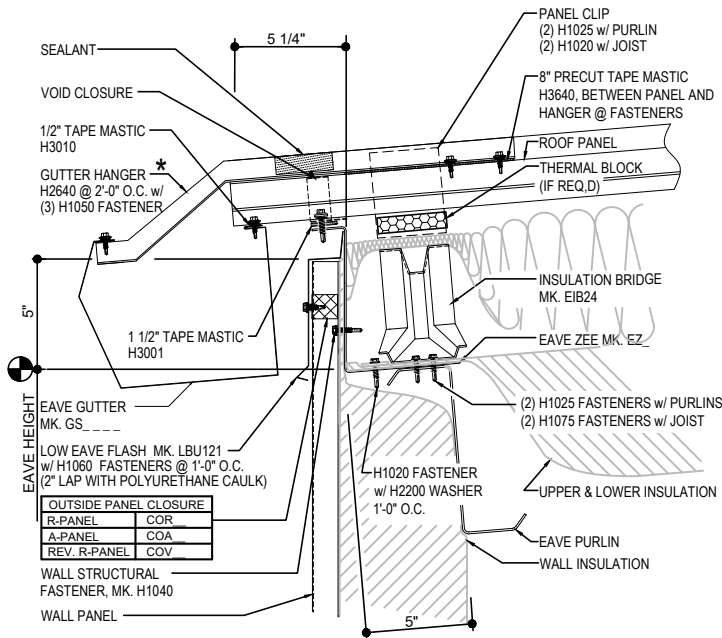
[Download the DWG file by clicking here.](#)

**GUTTER LAP & END CAP**

APPLY BEAD OF POLYURETHANE CAULK 1" FROM END OF TRIM AND LAP SECTIONS 2" AND FASTEN AS SHOWN. TO TERMINATE THE GUTTER APPLY POLYURETHANE CAULK TO THREE SIDES OF END CAP AND TOP RETURN AREA AS SHOWN AND INSERT INTO THE GUTTER LEAVING 1/2" EXPOSED. ATTACH WITH RIVETS SAME AS END LAP.



**NOTE:**  
SEE ROOF PANEL BASIC  
INSTALLATION DETAIL  
EA6011 FOR FASTENER AND  
SEALANT REQUIREMENTS



**R-Boost™ EAVE GUTTER DETAIL**

EAVE GUTTER DETAIL w/ WALL PANELS

\*NOTE: PANEL RIB MUST BE SEAMED PRIOR TO INSTALLING GUTTER BRACKET!

FD2010

**Detailer Notes:**

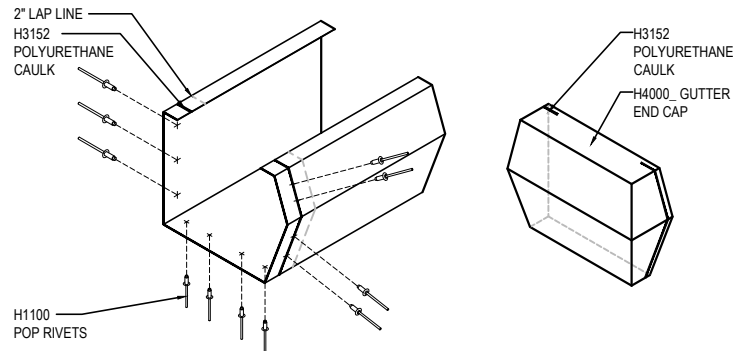
- 1) CLOSURE LAYER IS ON BY DEFAULT.  
CLOSURE LAYER MUST BE TURNED OFF IF CLOSURES ARE NOT REQUIRED.

FD2050 - ON-SLOPE GUTTER w/ WALL BY OTHERS

[Download the DWG file by clicking here.](#)

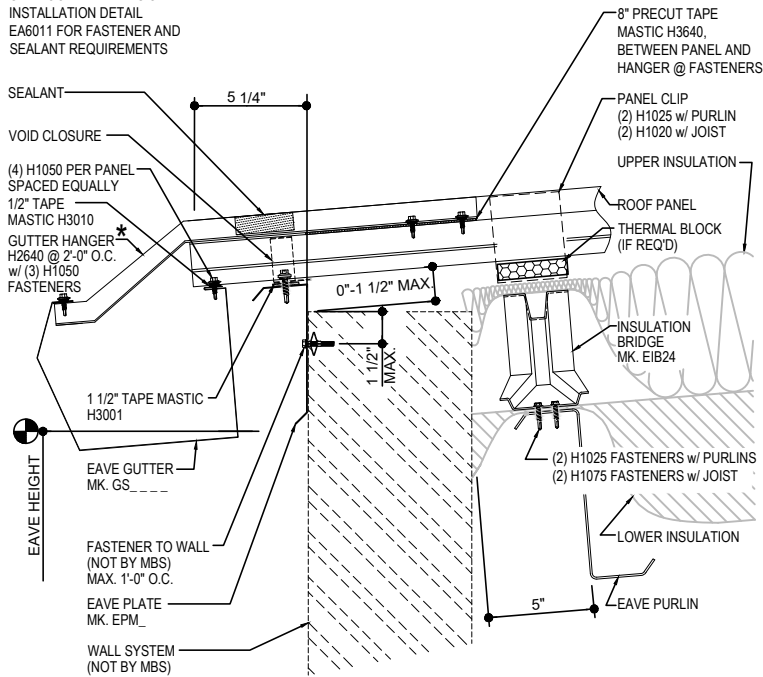
**GUTTER LAP & END CAP**

APPLY BEAD OF POLYURETHANE CAULK 1" FROM END OF TRIM AND LAP SECTIONS 2" AND FASTEN AS SHOWN. TO TERMINATE THE GUTTER APPLY POLYURETHANE CAULK TO THREE SIDES OF END CAP AND TOP RETURN AREA AS SHOWN AND INSERT INTO THE GUTTER LEAVING 1/2" EXPOSED. ATTACH WITH RIVETS SAME AS END LAP.



**NOTE:**

SEE ROOF PANEL BASIC  
INSTALLATION DETAIL  
EA6011 FOR FASTENER AND  
SEALANT REQUIREMENTS



**R-Boost™ LOW EAVE GUTTER**

LOW EAVE GUTTER DETAIL w/ WALL OPEN FOR WALL SYSTEM NOT BY MBS  
\*NOTE: PANEL RIB MUST BE SEAMED PRIOR TO INSTALLING GUTTER BRACKET!

**FD2050**

**Detailer Notes:**

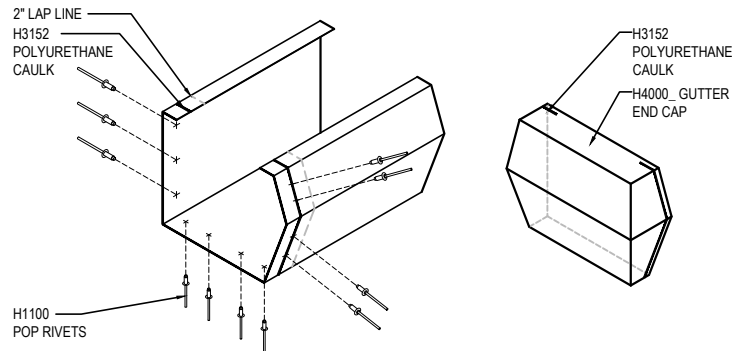
- 1) COORDINATE THE HEIGHT OF THE WALL SYSTEM WITH THE BUILDER.

**FD2610 - ON-SLOPE GUTTER w/ INSULATED WALL PANELS**

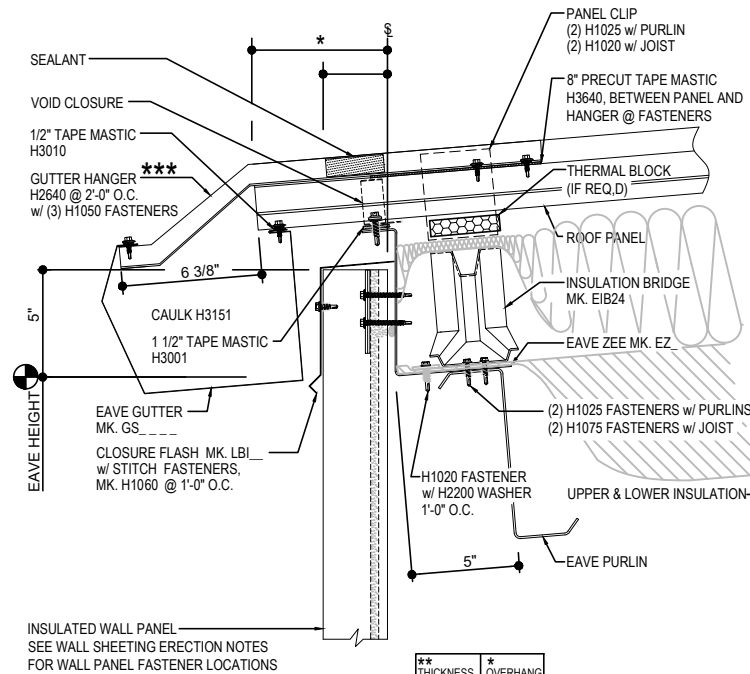
[Download the DWG file by clicking here.](#)

**GUTTER LAP & END CAP**

APPLY BEAD OF POLYURETHANE CAULK 1" FROM END OF TRIM AND LAP SECTIONS 2" AND FASTEN AS SHOWN. TO TERMINATE THE GUTTER APPLY POLYURETHANE CAULK TO THREE SIDES OF END CAP AND TOP RETURN AREA AS SHOWN AND INSERT INTO THE GUTTER LEAVING 1/2" EXPOSED. ATTACH WITH RIVETS SAME AS END LAP.



**NOTE:**  
SEE ROOF PANEL BASIC  
INSTALLATION DETAIL  
EA6011 FOR FASTENER AND  
SEALANT REQUIREMENTS



**R-Boost™ EAVE GUTTER DETAIL**

EAVE GUTTER DETAIL w/ INSULATED WALL PANELS

**\*\*\* NOTE:** PANEL RIB MUST BE SEAMED PRIOR TO INSTALLING GUTTER BRACKET!

** THICKNESS	* OVERHANG
2"	6"
2 1/2"	6 1/2"
3"	7"
4"	8"

**FD2610**

**Detailer Notes:**

1) N/A