

LOW EAVE (GUTTER)

NON-CONCEALED EAVE

FD2010 - NBS - ON-SLOPE GUTTER - WALL PANEL

FD2050 - NBS - ON-SLOPE GUTTER - WALL BY OTHERS

FD2610 - NBS - ON-SLOPE GUTTER - INSULATED WALL PANELS

CONCEALED EAVE

FD2011 - NBS - GUTTER LOW EAVE WITH WALL PANEL

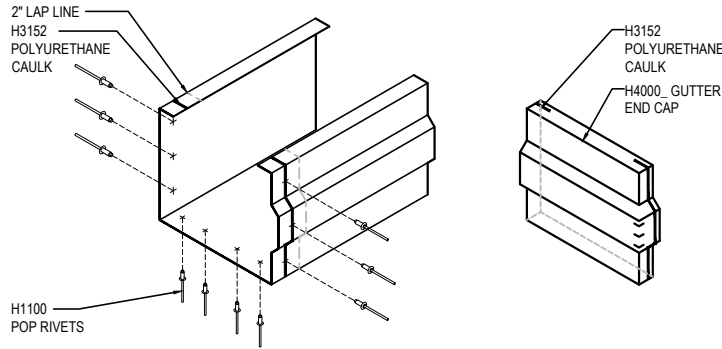
FD2611 - NBS - GUTTER LOW EAVE WITH INSULATED WALL PANELS

FD2010 - ON-SLOPE GUTTER w/ WALL PANEL

[Download the DWG file by clicking here.](#)

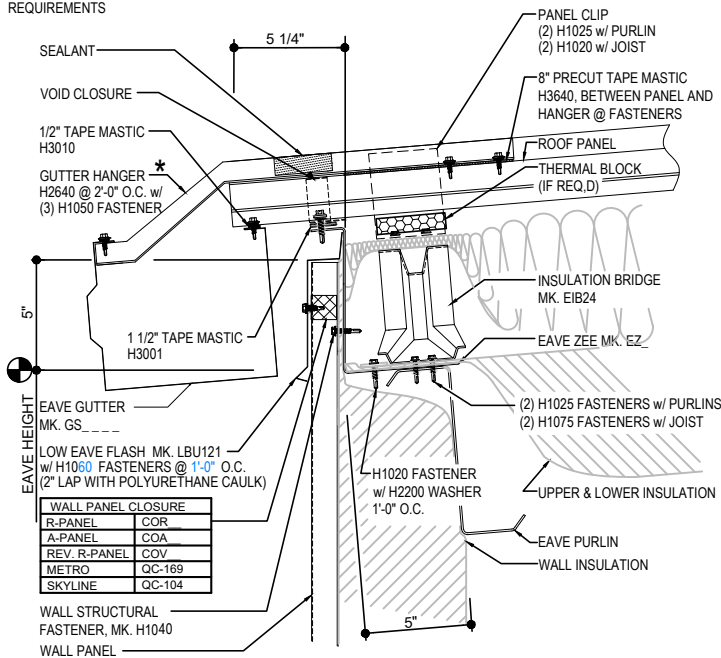
GUTTER LAP & END CAP

APPLY BEAD OF POLYURETHANE CAULK 1" FROM END OF TRIM AND LAP SECTIONS 2" AND FASTEN AS SHOWN. TO TERMINATE THE GUTTER APPLY POLYURETHANE CAULK TO THREE SIDES OF END CAP AND TOP RETURN AREA AS SHOWN AND INSERT INTO THE GUTTER LEAVING 1/2" EXPOSED. ATTACH WITH RIVETS SAME AS END LAP.



NOTE:

SEE ROOF PANEL BASIC
INSTALLATION DETAIL
EA6013 & EA6014 FOR
FASTENER AND SEALANT
REQUIREMENTS



R-Boost™ EAVE GUTTER DETAIL

EAVE GUTTER DETAIL w/ WALL PANELS
SEE WALL SHEETING ERECTION NOTES FOR WALL PANEL FASTENER LOCATIONS
*NOTE: PANEL RIB MUST BE HAND CRIMPED PRIOR TO INSTALLING GUTTER BRACKET!

FD2010

Detailer Notes:

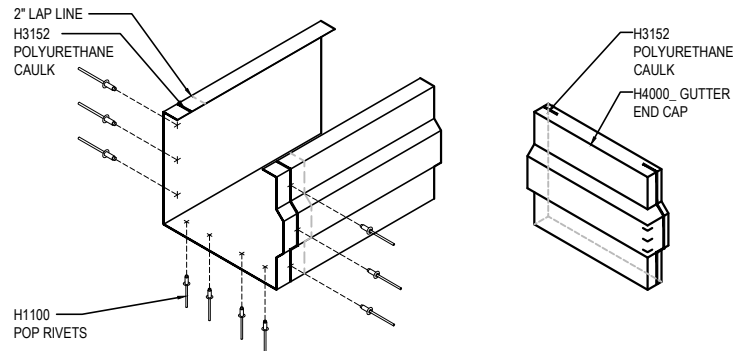
- 1) CLOSURE LAYER IS ON BY DEFAULT.
CLOSURE LAYER MUST BE TURNED OFF IF CLOSURES ARE NOT REQUIRED.

FD2050 - ON-SLOPE GUTTER w/ WALL BY OTHERS

[Download the DWG file by clicking here.](#)

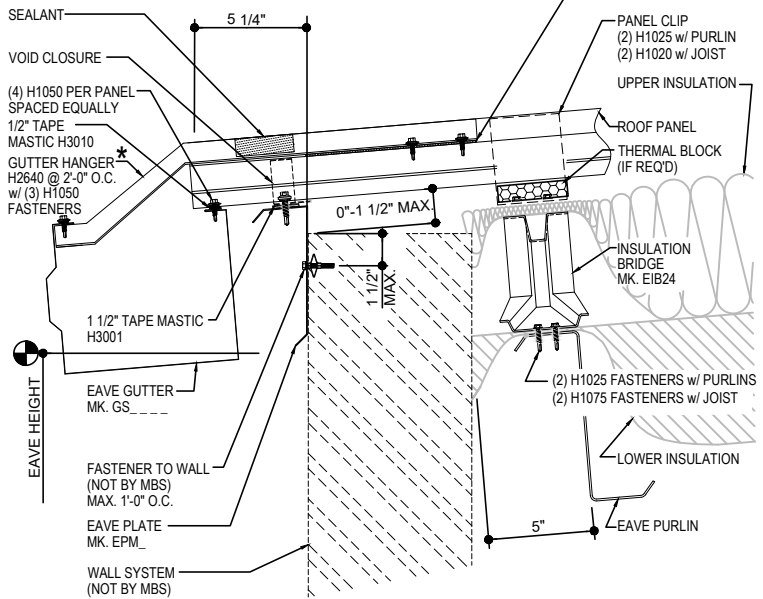
GUTTER LAP & END CAP

APPLY BEAD OF POLYURETHANE CAULK 1" FROM END OF TRIM AND LAP SECTIONS 2" AND FASTEN AS SHOWN. TO TERMINATE THE GUTTER APPLY POLYURETHANE CAULK TO THREE SIDES OF END CAP AND TOP RETURN AREA AS SHOWN AND INSERT INTO THE GUTTER LEAVING 1/2" EXPOSED. ATTACH WITH RIVETS SAME AS END LAP.



NOTE:

SEE ROOF PANEL BASIC
INSTALLATION DETAIL
EA6013 & EA6014 FOR
FASTENER AND SEALANT
REQUIREMENTS



R-Boost™ LOW EAVE GUTTER

LOW EAVE GUTTER DETAIL w/ WALL OPEN FOR WALL SYSTEM NOT BY MBS
*NOTE: PANEL RIB MUST BE HAND CRIMPED PRIOR TO INSTALLING GUTTER BRACKET!

FD2050

Detailer Notes:

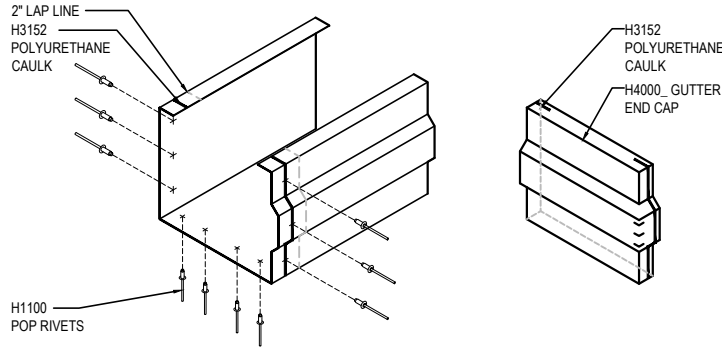
- 1) COORDINATE THE HEIGHT OF THE WALL SYSTEM WITH THE BUILDER.

FD2011 - GUTTER LOW EAVE W/ WALL PANEL

[Download the DWG file by clicking here.](#)

GUTTER LAP & END CAP

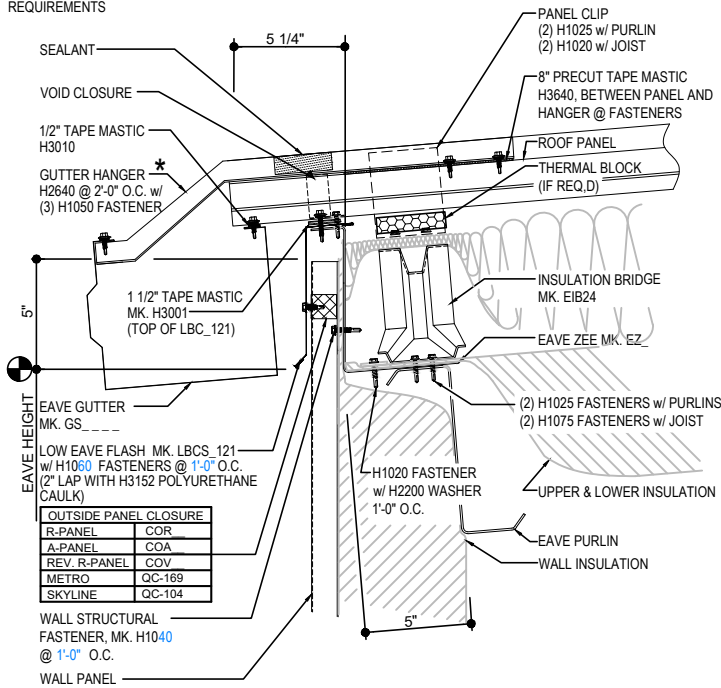
APPLY BEAD OF POLYURETHANE CAULK 1" FROM END OF TRIM AND LAP SECTIONS 2" AND FASTEN AS SHOWN. TO TERMINATE THE GUTTER APPLY POLYURETHANE CAULK TO THREE SIDES OF END CAP AND TOP RETURN AREA AS SHOWN AND INSERT INTO THE GUTTER LEAVING 1/2" EXPOSED. ATTACH WITH RIVETS SAME AS END LAP.



NOTE:

SEE ROOF PANEL BASIC
INSTALLATION DETAIL
EA6013 & EA6014 FOR
FASTENER AND SEALANT
REQUIREMENTS

***NOTE:** PANEL RIB MUST BE HAND CRIMPED PRIOR TO INSTALLING GUTTER BRACKET!



R-Boost™ GUTTER LOW EAVE W/ WALL PANEL

R-Boost™ ROOF SYSTEM
SEE WALL SHEETING ERECTION NOTES FOR WALL PANEL FASTENER LOCATIONS

FD2011

Detailer Notes:

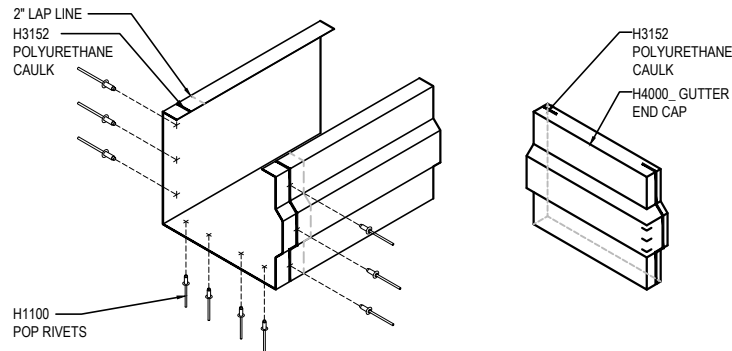
- 1) CLOSURE LAYER IS ON BY DEFAULT.
CLOSURE LAYER MUST BE TURNED OFF IF CLOSURES ARE NOT REQUIRED.

FD2611 - GUTTER LOW EAVE W/ INSULATED WALL PANELS

[Download the DWG file by clicking here.](#)

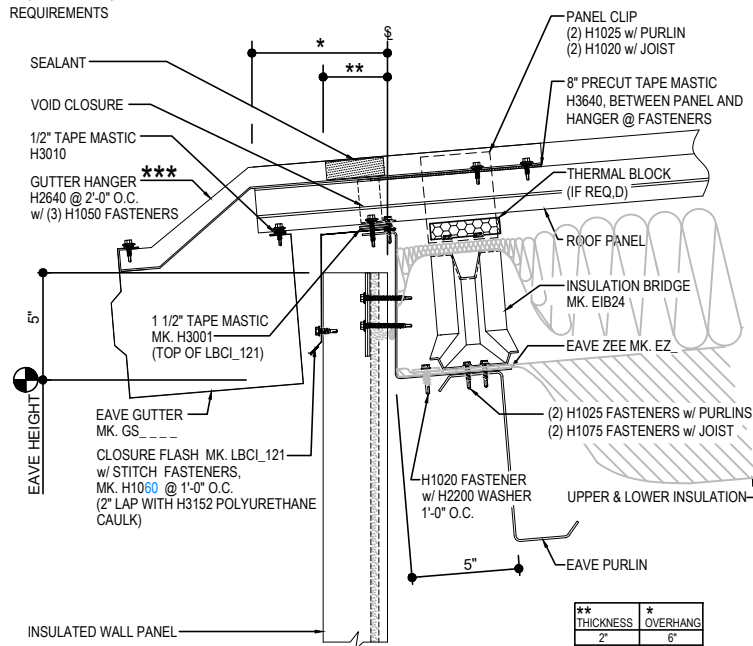
GUTTER LAP & END CAP

APPLY BEAD OF POLYURETHANE CAULK 1" FROM END OF TRIM AND LAP SECTIONS 2" AND FASTEN AS SHOWN. TO TERMINATE THE GUTTER APPLY POLYURETHANE CAULK TO THREE SIDES OF END CAP AND TOP RETURN AREA AS SHOWN AND INSERT INTO THE GUTTER LEAVING 1/2" EXPOSED. ATTACH WITH RIVETS SAME AS END LAP.



NOTE:
SEE ROOF PANEL BASIC
INSTALLATION DETAIL
EA6013 & EA6014 FOR
FASTENER AND SEALANT
REQUIREMENTS

***NOTE:** PANEL RIB MUST BE HAND CRIMPED PRIOR TO INSTALLING GUTTER BRACKET!



** THICKNESS	* OVERHANG
2"	6"
2 1/2"	6 1/2"
3"	7"
4"	8"

R-Boost™ GUTTER LOW EAVE W/ INS. WALL PANEL

R-Boost™ ROOF SYSTEM
SEE WALL SHEETING ERECTION NOTES FOR WALL PANEL FASTENER LOCATIONS

FD2611

Detailer Notes:

- 1) N/A