

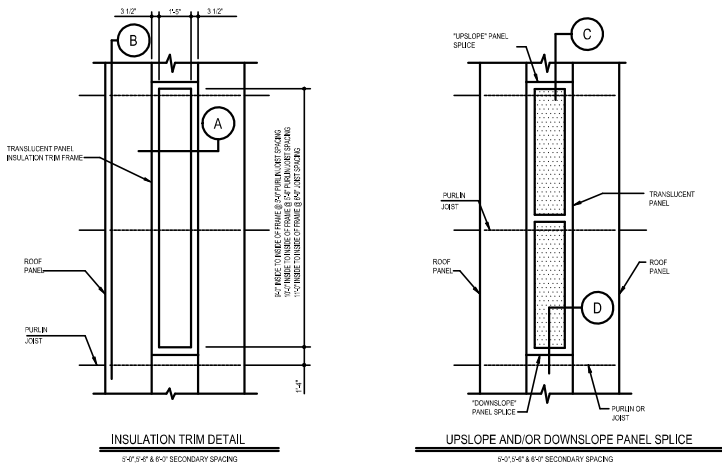
FM6010 - COMPOSITE CFR ROOF

[Download the DWG file by clicking here.](#)

**COMPOSITE C.F.R. TRANSLUCENT ROOF PANEL INSTALLATION INSTRUCTIONS**

**ERECTOR NOTE:** THE DETAILS SHOWN ON THIS PAGE REFLECT LEFT-TO-RIGHT PANEL ERECTION SEQUENCE. IF THE PANELS ARE BEING INSTALLED FROM RIGHT-TO-LEFT, THE DETAILS ARE OPPOSITE HAND OF WHAT IS SHOWN.

**TRANSLUCENT PANEL LAYOUT - PLAN VIEWS**

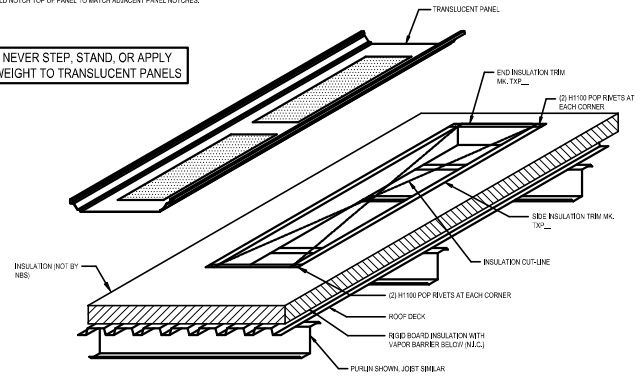


LEFT-TO-RIGHT  
ERECTION SEQUENCE SHOWN

**ERECTION NOTES:**

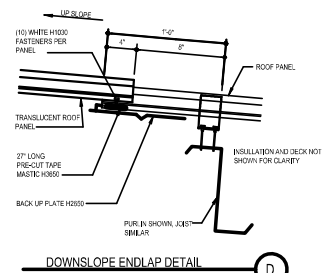
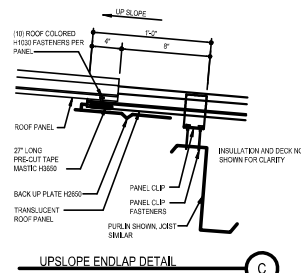
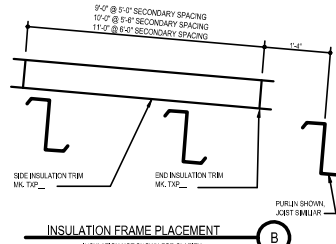
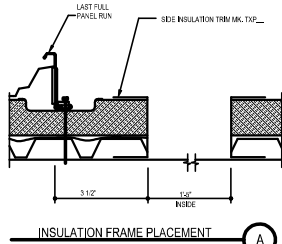
- 1) INSTALL PANELS UP TO TRANSLUCENT PANEL LOCATION.
- 2) APPLY TRANSLUCENT PANEL OVER THE HD30 BOARD INSULATION WITH THE DIMENSIONS GIVEN BELOW.
- 3) CUT OUT HD30 BOARD INSULATION AND THE ROOF DECK.
- 4) ASSEMBLE TRIM AROUND THE PERIMETER OF OPENING, FASTEN TO THE UNDER SIDE OF THE DECK WITH TRIM COLORED TO MATCH AT 1" O.C.
- 5) FIELD CORE TRIM AT CORNERS AS REQUIRED.
- 6) INSTALL TRANSLUCENT PANEL.
- 7) INSTALL ENDLAP AS NOTED.
- 8) WHEN TRANSLUCENT PANELS ARE USED AT THE RIDGE OR HIGH PARAPET, FIELD NOTCH TOP OF PANEL TO MATCH ADJACENT PANEL NOTCHES.

NEVER STEP, STAND, OR APPLY WEIGHT TO TRANSLUCENT PANELS



**GENERAL NOTES:**

- 1) THE TRANSLUCENT PANEL MUST BE HAND CRIMPED MECHANICALLY SEALED THE FULL LENGTH OF ON BOTH SIDES WITH THE PROPER TOOL TO ACHIEVE A MINIMUM OF A VISE LOCK SEAM PROFILE.
- 2) END TO END TRANSLUCENT PANELS SHOULD BE SPACED SO THAT THE METAL PANELS ABOVE, BETWEEN AND BELOW ARE RESTING ON A MINIMUM OF (2) PURLINS. PREFERABLY (4). NO SINGLE-PAN ROOF PANEL CONDITIONS ARE ALLOWED.
- 3) A MINIMUM OF (4) METAL PANELS IS REQUIRED BETWEEN SIDES OF MULTIPLE TRANSLUCENT PANEL LOCATIONS. TRANSLUCENT PANELS SHALL NOT BE PLACED SIDE BY SIDE.
- 4) TRANSLUCENT PANELS SHALL NOT BE PLACED FROM EAVE TO EAVE.
- 5) TRANSLUCENT PANELS SHALL NOT BE PLACED AT THE LOW EAVE OF THE BUILDING.
- 6) THE LOCATION OF THE FIRST TRANSLUCENT PANEL UP FROM THE LOW EAVE SHOULD BE SET SO THAT THE LOW EAVE METAL PANEL IS SUPPORTED BY (4) PURLINS (OR APPROXIMATELY 15 FEET).



**Detailer Notes:**

- 1) DETAIL IS USED FOR ALL COMPOSITE CFR JOBS.