

**RIDGE**

EG3010 - LOC SEAM - RIDGE

EG3020 - LOC SEAM - RIDGE - PURLIN INSULATION PAN

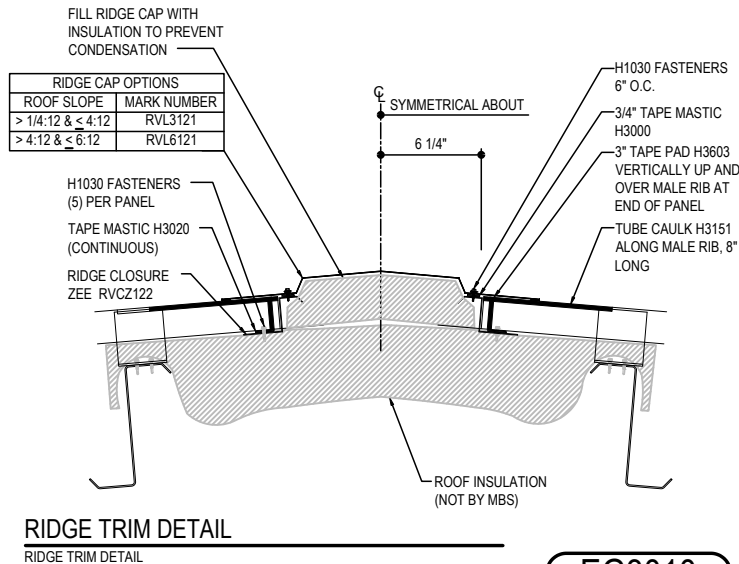
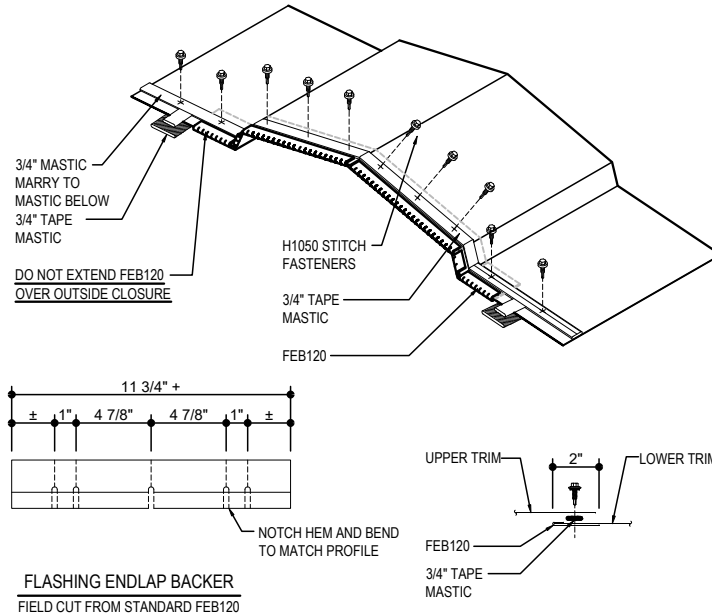
EG3030 - LOC SEAM - RIDGE - JOIST INSULATION PAN

EG3010 - LOC SEAM RIDGE

[Download the DWG file by clicking here.](#)

**RIDGE CAP LAP & FLASHING BACKER**

SLIDE FIELD CUT SECTION FLASHING ENDLAP BACKER ONTO THE LOWER TRIM PIECE. PLACE TAPE MASTIC NEXT TO HEM OF THE BACKER (NOT ON TOP OF HEM). MARRY LAP MASTIC WITH MASTIC BETWEEN RIDGE CAP AND RIDGE CLOSURE ZEE.



EG3010

Detailer Notes:

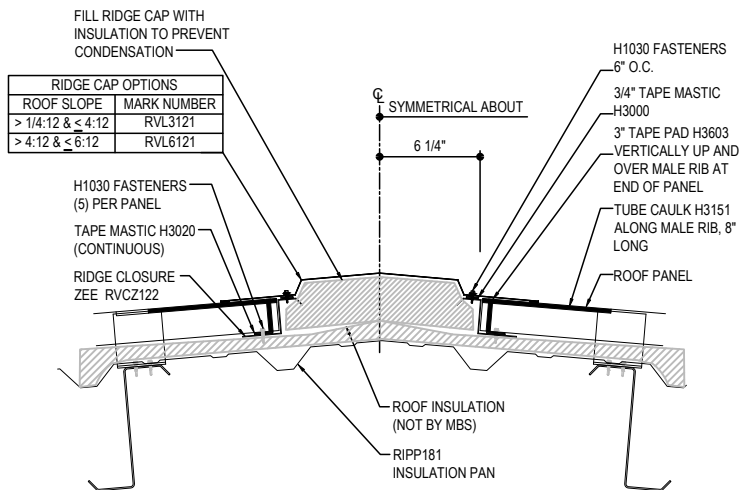
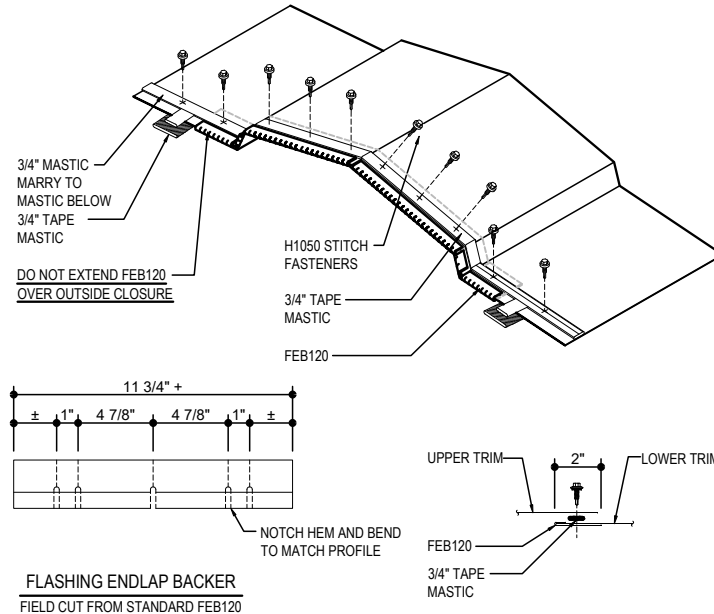
- 1) N/A

EG3020 - LOC SEAM - PURLIN INSULATION PAN

[Download the DWG file by clicking here.](#)

**RIDGE CAP LAP & FLASHING BACKER**

SLIDE FIELD CUT SECTION FLASHING ENDLAP BACKER ONTO THE LOWER TRIM PIECE. PLACE TAPE MASTIC NEXT TO HEM OF THE BACKER (NOT ON TOP OF HEM). MARRY LAP MASTIC WITH MASTIC BETWEEN RIDGE CAP AND OUTSIDE CLOSURE



EG3020

Detailer Notes:

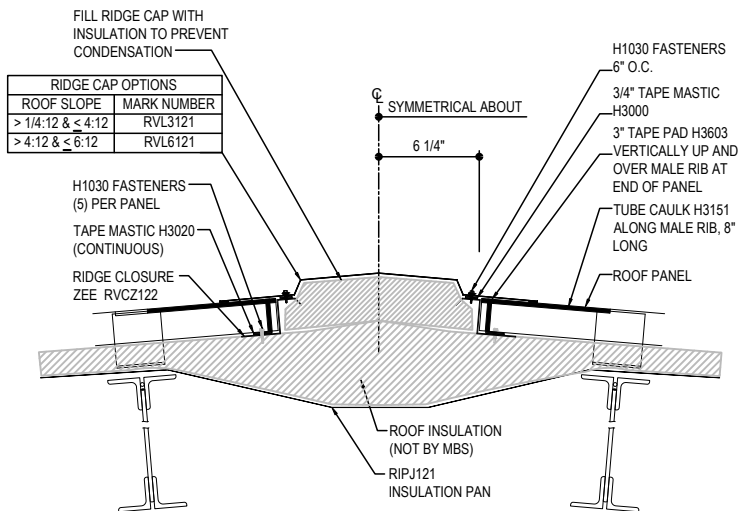
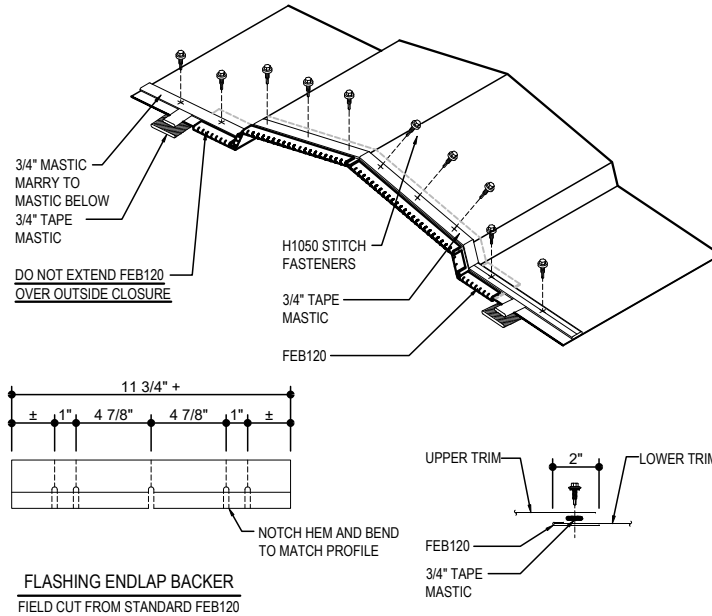
- 1) N/A

EG3030 - LOC SEAM - JOIST INSULATION PAN

[Download the DWG file by clicking here.](#)

**RIDGE CAP LAP & FLASHING BACKER**

SLIDE FIELD CUT SECTION FLASHING ENDLAP BACKER ONTO THE LOWER TRIM PIECE. PLACE TAPE MASTIC NEXT TO HEM OF THE BACKER (NOT ON TOP OF HEM). MARRY LAP MASTIC WITH MASTIC BETWEEN RIDGE CAP AND OUTSIDE CLOSURE



EG3030

**Detailer Notes:**

- 1) N/A