

**RIDGE**

EG6010 - RIDGE

EG6020 - RIDGE - PURLIN INSULATION PAN

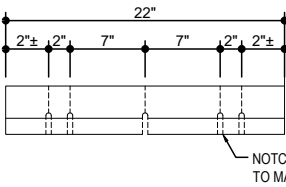
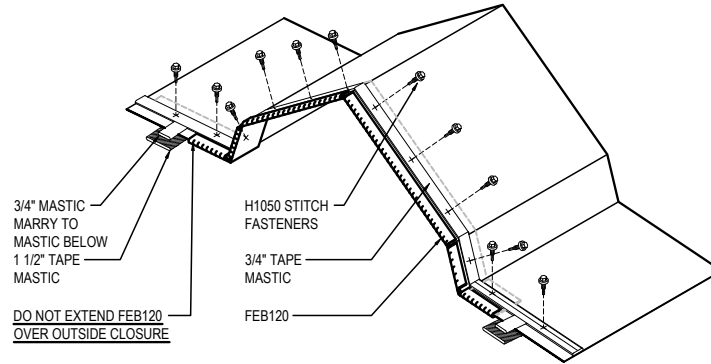
EG6030 - RIDGE - JOIST INSULATION PAN

EG6010 - SS360 RIDGE

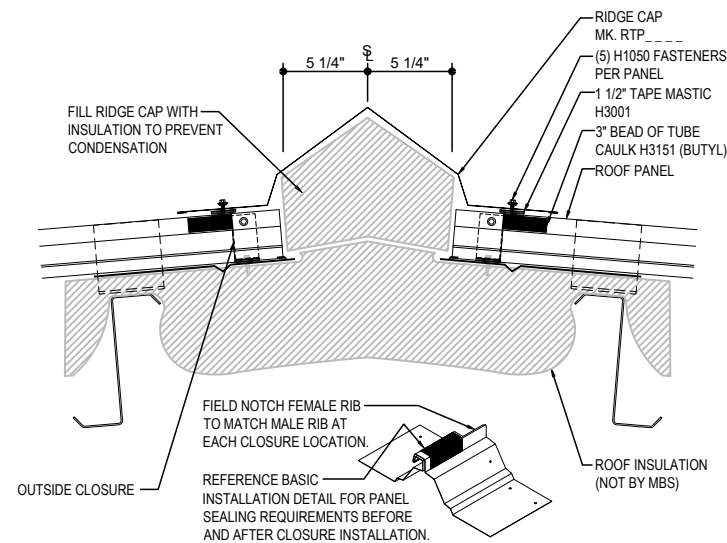
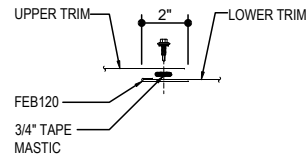
[Download the DWG file by clicking here.](#)

**RIDGE CAP LAP & FLASHING BACKER**

SLIDE FIELD CUT SECTION FLASHING ENDLAP BACKER ONTO THE LOWER TRIM PIECE. PLACE TAPE MASTIC NEXT TO HEM OF THE BACKER (NOT ON TOP OF HEM). MARRY LAP MASTIC WITH MASTIC BETWEEN RIDGE CAP AND OUTSIDE CLOSURES.



**FLASHING ENDLAP BACKER**  
FIELD CUT FROM STANDARD FEB120



**RIDGE TRIM DETAIL**  
RIDGE TRIM DETAIL

**EG6010**

**Detailer Notes:**

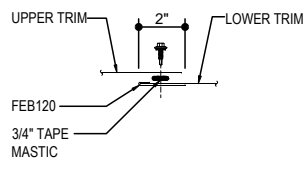
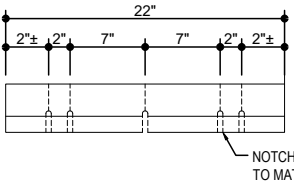
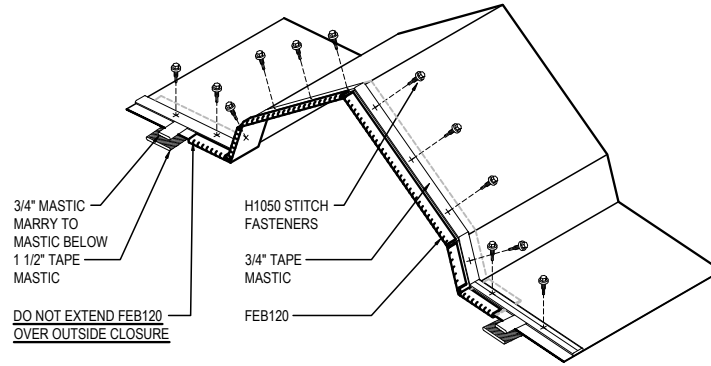
- 1) N/A

EG6020 - SS360 RIDGE - PURLIN INSULATION PAN

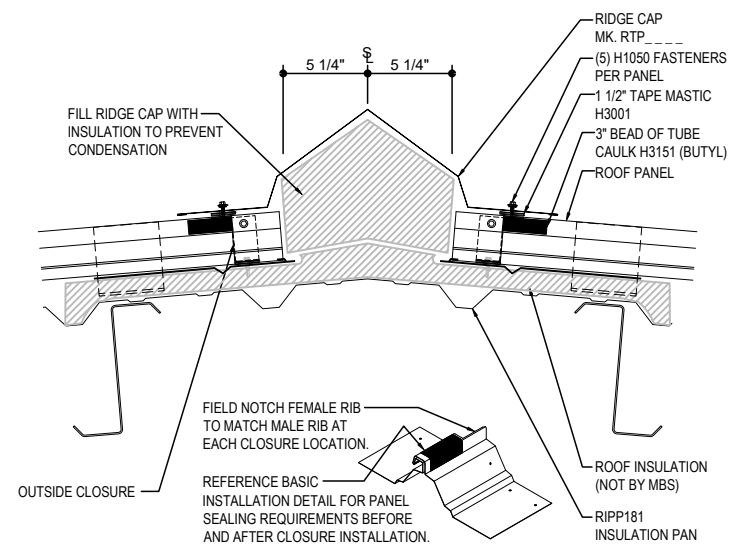
[Download the DWG file by clicking here.](#)

**RIDGE CAP LAP & FLASHING BACKER**

SLIDE FIELD CUT SECTION FLASHING ENDLAP BACKER ONTO THE LOWER TRIM PIECE. PLACE TAPE MASTIC NEXT TO HEM OF THE BACKER (NOT ON TOP OF HEM). MARRY LAP MASTIC WITH MASTIC BETWEEN RIDGE CAP AND OUTSIDE CLOSURES.



**FLASHING ENDLAP BACKER**  
FIELD CUT FROM STANDARD FEB120



**RIDGE TRIM DETAIL**  
RIDGE TRIM DETAIL

**EG6020**

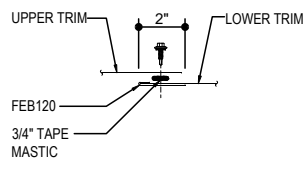
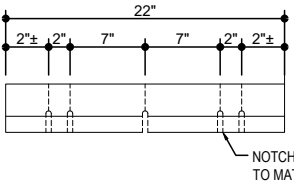
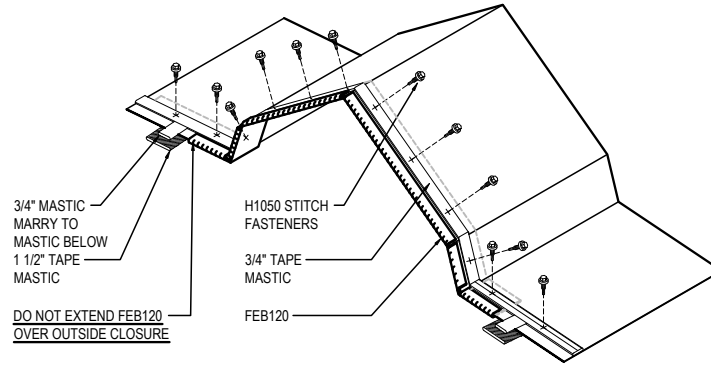
**Detailer Notes:**  
1) N/A

EG6030 - SS360 RIDGE - JOIST INSULATION PAN

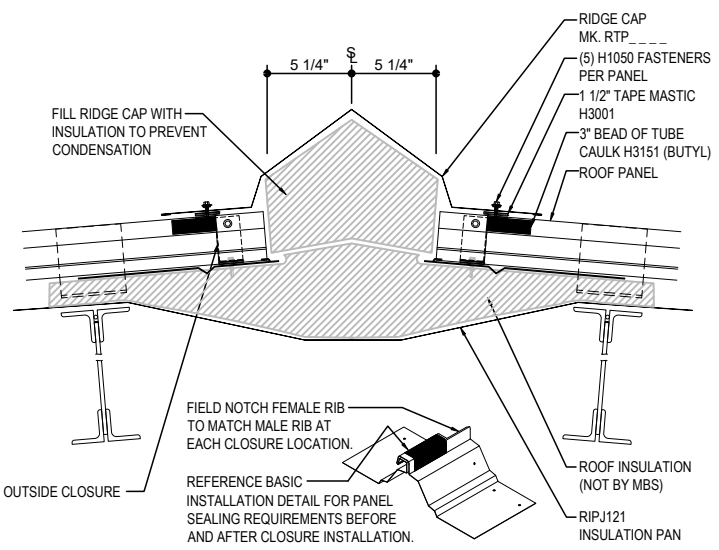
[Download the DWG file by clicking here.](#)

**RIDGE CAP LAP & FLASHING BACKER**

SLIDE FIELD CUT SECTION FLASHING ENDLAP BACKER ONTO THE LOWER TRIM PIECE. PLACE TAPE MASTIC NEXT TO HEM OF THE BACKER (NOT ON TOP OF HEM). MARRY LAP MASTIC WITH MASTIC BETWEEN RIDGE CAP AND OUTSIDE CLOSURES.



**FLASHING ENDLAP BACKER**  
FIELD CUT FROM STANDARD FEB120



**RIDGE TRIM DETAIL**  
RIDGE TRIM DETAIL

**EG6030**

**Detailer Notes:**  
1) N/A