

**HIP & VALLEY**

EP3040 - VALLEY

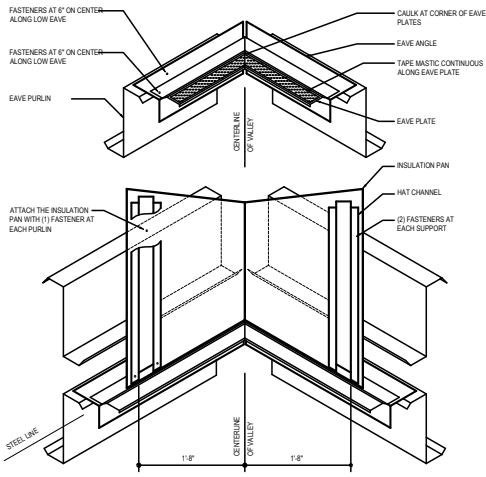
---

**EP3040 - VALLEY**

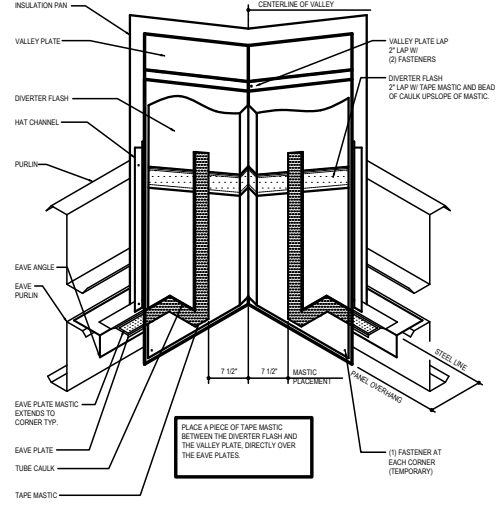
Download the DWG file by clicking here.

**VALLEY CONDITION ERECTION NOTES**

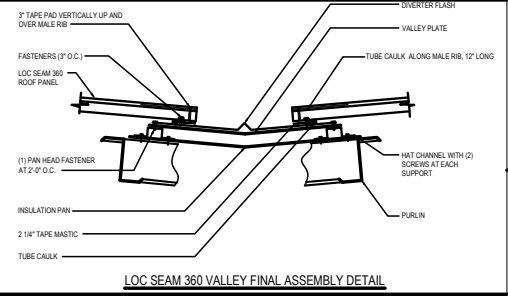
- 1) INSTALL THE EAVE ANGLES AND EAVE PLATES AS SHOWN AT RIGHT. CAULK THE EAVE PLATES AT THE CORNER WITH TUBE CAULK.
- 2) AFTER THE INSTALLATION OF THE EAVE ANGLES AND EAVE PLATES, AND BEFORE THE ROOF PANEL INSTALLATION, START AT THE LOW EAVE AND PLACE THE INSULATION PAN IN THE VALLEY AND FASTEN WITH (1) FASTENER AT EACH PURLIN. FIELD MITER THE INSULATION PAN AT THE EAVE PLATE. LAP THE INSULATION PANS 2" AND FASTEN WITH (6) FASTENERS.
- 3) INSTALL THE INSULATION OVER THE INSULATION PAN. FASTEN WITH SCREWS AND INSULATION WASHERS AS REQUIRED.
- 4) BEFORE ROOF PANEL INSTALLATION, START AT THE LOW EAVE AND PLACE THE HAT CHANNEL SECTIONS ON BOTH SIDES OF THE VALLEY, 1'-0" FROM THE CENTERLINE AS SHOWN. FASTEN TO EACH PURLIN WITH (2) FASTENERS.
- 5) CENTER THE VALLEY PLATE OVER THE HAT CHANNELS. AT THE EAVE & ROOF, EXTEND THE PLATE TO THE EDGE OF THE ROOF PANEL. FIELD CUTTING AS REQUIRED. FASTEN VALLEY PLATE TO HAT CHANNEL INSIDE PANEL RIB WITH (1) FASTENER AS SHOWN BELOW. LAP THE VALLEY PLATE 2" & FASTEN WITH (2) FASTENERS.
- 6) PLACE THE DIVERTER FLASH OVER THE VALLEY PLATE AND TEMPORARILY FASTEN WITH (1) SCREW AT THE OUTSIDE CORNERS OF THE VALLEY PLATE. DO NOT USE THE VALLEY AS A WALKWAY OR WORK PLATFORM.
- 7) INSTALL 2 1/4" TAPE MASTIC ON THE DIVERTER FLASH 7 1/2" FROM THE CENTER OF THE PLATE AS SHOWN. DO NOT REMOVE PAPER BACKING UNTIL READY TO SET PANEL. ALSO APPLY A BEAD OF BUTYL TUBE CAULK FOR THE FLAT OF THE PANEL ALONG THE TAPE MASTIC.
- 8) INSTALL THE ROOF PANELS, CUTTING ENDS AT THE ANGLE REQUIRED. CUT PANELS 7" FROM THE CENTER OF THE VALLEY PLATE. NOTE: KEEP METAL SHAVINGS OUT OF MASTIC AND PANEL SIDELAP. REMOVE TEMPORARY DIVERTER FASTENER IF NEEDED.
- 9) BEFORE THE NEXT PANEL IS INSTALLED, APPLY A 3" PIECE OF TAPE MASTIC AND A BEAD OF TUBE CAULK TO THE MALE SIDE OF THE PANEL FROM THE LOW END OF THE PANEL UP 12" TO ENSURE WEATHERTIGHTNESS, AS SHOWN IN THE SEALANT DETAIL.
- 10) FASTEN WITH SCREWS, 3" O.C. OVER THE TAPE MASTIC, @ 18" FROM THE CENTER OF THE DIVERTER FLASH TO THE CENTER OF THE FASTENERS. TAKE SPECIAL CARE AT THIS POINT TO MAINTAIN PANEL MODULARITY.



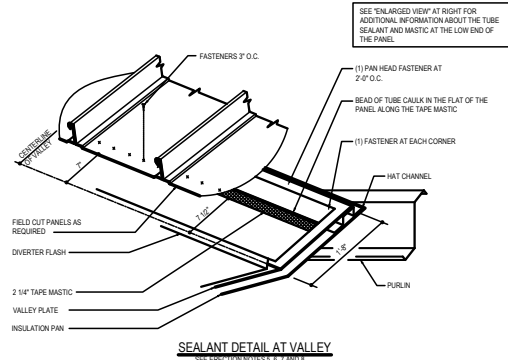
**INSULATION PAN, EAVE PLATE, AND HAT CHANNEL DETAIL AT LOW EAVE CORNER**  
SEE ERECTION NOTES 12, 1 AND 4



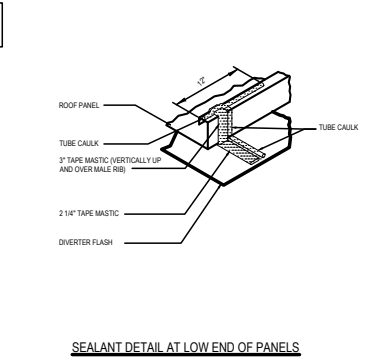
**VALLEY PLATE AND DIVERTER FLASH DETAIL AT LOW EAVE CORNER**  
SEE ERECTION NOTES 5, 6 AND 7



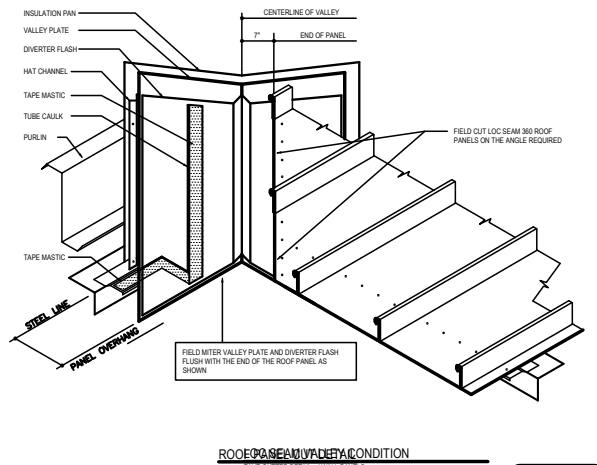
**LOC SEAM 360 VALLEY FINAL ASSEMBLY DETAIL**



**SEALANT DETAIL AT VALLEY**  
SEE ERECTION NOTES 5, 6, 7 AND 8



**SEALANT DETAIL AT LOW END OF PANELS**  
SEE ERECTION NOTE 9



**ROOF SEAM VALLEY CONDITION**  
EAVE GUTTER DETAIL W/ WALL PANELS  
SEE WALL SHEETING ERECTION NOTES FOR WALL PANEL FASTENER LOCATIONS

**EP3040**

**Detailer Notes:**

- 1) N/A